

(19) World Intellectual Property Organization
International Bureau



(43) International Publication Date
19 April 2001 (19.04.2001)

PCT

(10) International Publication Number
WO 01/26506 A3

(51) International Patent Classification⁶: A61B 5/05,
5/103, A61F 5/00, G08B 23/00

(21) International Application Number: PCT/US99/26316

(22) International Filing Date:
8 November 1999 (08.11.1999)

(25) Filing Language: English

(26) Publication Language: English

(30) Priority Data:
Not furnished 11 October 1999 (11.10.1999) US

(71) Applicant and

(72) Inventor: BRANDON, Lee [US/US]; 1444 South Saltair
Avenue #305, Los Angeles, CA 90025 (US).

(74) Agent: GERARDI, Michael, M.; Suite 202, 412 N.
Oakhurst Drive, Beverly Hills, CA 90210 (US).

(81) Designated States (national): AE, AL, AM, AT, AU, AZ,
BA, BB, BG, BR, BY, CA, CH, CN, CU, CZ, DE, DK, EE,

ES, FI, GB, GD, GE, GH, GM, HR, HU, ID, IL, IN, IS, JP,
KE, KG, KR, KZ, LC, LK, LR, LS, LT, LU, LV, MD, MG,
MK, MN, MW, MX, NO, NZ, PL, PT, RO, RU, SD, SE,
SG, SI, SK, SL, TJ, TM, TR, TT, UA, UG, US, UZ, VN,
YU, ZA, ZW.

(84) Designated States (regional): ARIPO patent (GH, GM,
KE, LS, MW, SD, SL, SZ, TZ, UG, ZW), Eurasian patent
(AM, AZ, BY, KG, KZ, MD, RU, TJ, TM), European patent
(AT, BE, CH, CY, DE, DK, ES, FI, FR, GB, GR, IE, IT, LU,
MC, NL, PT, SE), OAPI patent (BF, BJ, CF, CG, CI, CM,
GA, GN, GW, ML, MR, NE, SN, TD, TG).

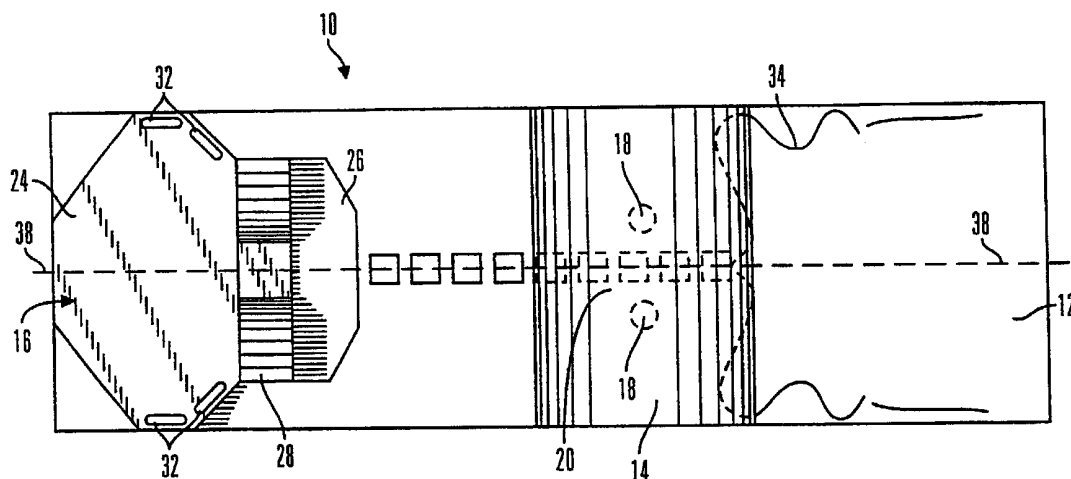
Published:

— With international search report.

(88) Date of publication of the international search report:
25 May 2001

For two-letter codes and other abbreviations, refer to the "Guidance Notes on Codes and Abbreviations" appearing at the beginning of each regular issue of the PCT Gazette.

(54) Title: POSTURAL AWARENESS APPARATUS



(57) Abstract: A postural awareness apparatus (10) includes a pad (14), a signal generating element, an element for detecting a weight applied to the pad (18), and activating the signal generating element when the weight so detected exceeds a predetermined weight.



WO 01/26506 A3

INTERNATIONAL SEARCH REPORT

International application No.
PCT/US99/26316

A. CLASSIFICATION OF SUBJECT MATTER

IPC(6) : A61B 5/05, 103; A61F 5/00; G08B 23/00
US CL : 128/845; 482/142; 340/573.7; 600/587, 594

According to International Patent Classification (IPC) or to both national classification and IPC

B. FIELDS SEARCHED

Minimum documentation searched (classification system followed by classification symbols)

U.S. : 5/621, 630, 636-638, 640, 922, 940; 128/845; 297/484.4, 284.7; 340/573.1, 573.7; 482/142, 148; 600/587, 594

Documentation searched other than minimum documentation to the extent that such documents are included in the fields searched

Electronic data base consulted during the international search (name of data base and, where practicable, search terms used)

C. DOCUMENTS CONSIDERED TO BE RELEVANT

Category*	Citation of document, with indication, where appropriate, of the relevant passages	Relevant to claim No.
X	US 5,515,865 A (SCANLON) 14 May 1996, entire document.	1-3, 13, 15, 22
---		-----
Y		4-7, 9-13, 16-21, 23
Y	US 5,279,310 A (HSIEN) 18 January 1994, entire document.	4-7, 9-13, 16-21, 23
Y	US 5,343,876 A (ROGERS) 06 September 1994, entire document.	4-7, 9-13, 16-21, 23
Y	US 3,325,799 A (FARRIS) 13 June 1967, entire document.	14
A,E	US 6,019,738 A (BRANDON) 01 February 2000, entire document.	1-26

Further documents are listed in the continuation of Box C. See patent family annex.

"A"	document defining the general state of the art which is not considered to be of particular relevance	"T"	later document published after the international filing date or priority date and not in conflict with the application but cited to understand the principle or theory underlying the invention
"E"	earlier document published on or after the international filing date	"X"	document of particular relevance, the claimed invention cannot be considered novel or cannot be considered to involve an inventive step when the document is taken alone
"I"	document which may throw doubts on priority claim(s) or which is cited to establish the publication date of another citation or other special reason (as specified)	"Y"	document of particular relevance; the claimed invention cannot be considered to involve an inventive step when the document is combined with one or more other such documents, such combination being obvious to a person skilled in the art
"O"	document referring to an oral disclosure, use, exhibition or other means	"&"	document member of the same patent family
"P"	document published prior to the international filing date but later than the priority date claimed		

Date of the actual completion of the international search
10 FEBRUARY 2000

Date of mailing of the international search report
29 FEB 2000

Name and mailing address of the ISA/US
Commissioner of Patents and Trademarks
Box PCT
Washington, D.C. 20231
Facsimile No. (703) 305-3230

Authorized officer
Denise Pcthier
DENISE PCTHIER
Telephone No. (703) 308-0993