



US0D1027490S

(12) **United States Design Patent**  
**Coresh**

(10) **Patent No.:** **US D1,027,490 S**

(45) **Date of Patent:** **\*\* May 21, 2024**

(54) **SHAVING RAZOR STAND**

FOREIGN PATENT DOCUMENTS

(71) Applicant: **Rolling Razor, Inc.**, Los Angeles, CA  
(US)

GB 8210770000-1000 \* 10/2020  
JP D1606137 \* 6/2018

(Continued)

(72) Inventor: **Leon Coresh**, Tel Aviv (IL)

OTHER PUBLICATIONS

(73) Assignee: **Rolling Razor, Inc.**, Los Angeles, CA  
(US)

Evaty Men's Safety Razor Stand, posted unknown [online], [retrieved Feb. 5, 2024]. Retrieved from internet, <https://www.amazon.com/Evaty-Aluminum-Toothbrush-Shaving-B-Black/dp/B08LGRSIX6> (Year: 2024).\*

(\*\*) Term: **15 Years**

(Continued)

(21) Appl. No.: **29/826,791**

(22) Filed: **Feb. 15, 2022**

*Primary Examiner* — Cynthia Ramirez

*Assistant Examiner* — Jeremy S. Swartz

(51) **LOC (14) Cl.** ..... **06-04**

(74) *Attorney, Agent, or Firm* — Thomas Coester  
Intellectual Property

(52) **U.S. Cl.**

USPC ..... **D6/526**

(58) **Field of Classification Search**

USPC ..... D6/526, 524, 540, 528, 534, 527, 512,  
D6/513, 525, 682, 1; D3/201, 205;  
D4/108; D9/737, 748, 749, 448;  
D10/70; D13/107, 108; D16/202, 219,  
D16/242; D24/186; D28/47, 73

CPC ..... A45D 27/29; B26B 19/3853;  
B26B 19/3873; B26B 19/3806; B26B  
19/14; B26B 19/38; B26B 19/382; B26B  
19/3813; B26B 19/3833; B26B 21/52;  
B26B 21/10; B26B 21/4006; B26B  
21/522; B26B 21/40; B26B 21/36; B26B  
21/00; B26B 21/4012; B65D 73/0014;  
B65D 77/26; B65D

(Continued)

(57)

**CLAIM**

The ornamental design for a shaving razor stand, as shown and described.

**DESCRIPTION**

FIG. 1 is a top perspective view of a shaving razor stand according to one embodiment of the invention.

FIG. 2 is a bottom perspective view of a shaving razor stand of FIG. 1.

FIG. 3 is a front view of the shaving razor stand of FIG. 1.

FIG. 4 is a rear view of the shaving razor stand of FIG. 1.

FIG. 5 is a right side view of the shaving razor stand of FIG. 1.

FIG. 6 is a left side view of the shaving razor stand of FIG. 1.

FIG. 7 is a top view of the shaving razor stand of FIG. 1; and, FIG. 8 is a bottom view of the shaving razor stand of FIG. 1.

The broken lines in the drawing figures show portions of the shaving razor stand, which form no part of the claimed design.

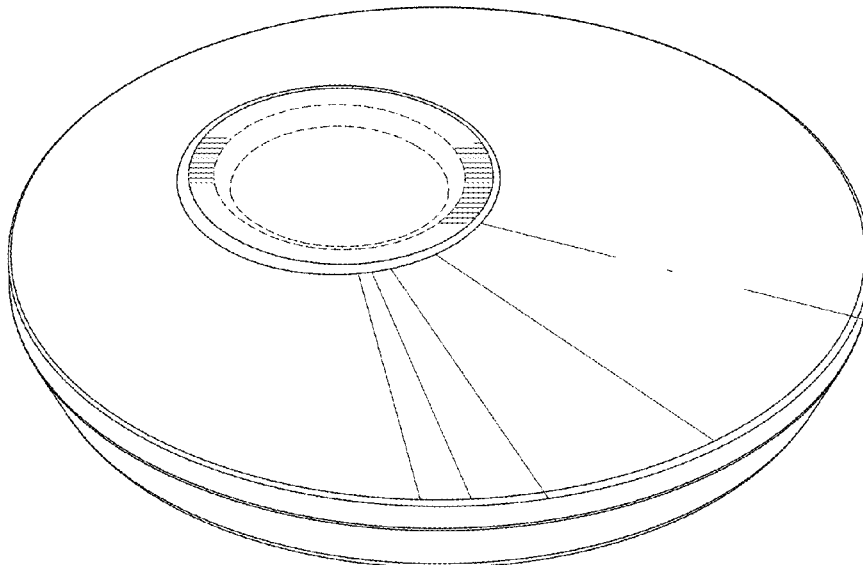
(56) **References Cited**

U.S. PATENT DOCUMENTS

D695,545 S \* 12/2013 Floyd ..... D6/526  
D820,000 S \* 6/2018 Watson ..... D6/526

(Continued)

**1 Claim, 4 Drawing Sheets**



(58) **Field of Classification Search**

CPC .. 85/1081; B65D 5/5016; B65D 71/70; B65D 25/106; B65D 25/22; H01F 7/0242  
See application file for complete search history.

(56) **References Cited**

U.S. PATENT DOCUMENTS

D831,375	S	*	10/2018	Ramm	.....	D6/526
D831,996	S	*	10/2018	Grabes	.....	D6/526
D839,627	S	*	2/2019	Watson	.....	D6/526
D862,923	S	*	10/2019	Watson	.....	D6/526
D977,278	S	*	2/2023	Ramm	.....	D6/526
D977,868	S	*	2/2023	Mesika	.....	D6/526
D1,003,595	S	*	11/2023	Matt	.....	D3/205
D1,003,628	S	*	11/2023	McGarry	.....	D6/526

FOREIGN PATENT DOCUMENTS

JP			D1703040	*	12/2021
WO			WOD210770-001	*	4/2021
WO			WOD223479-001	*	8/2023

OTHER PUBLICATIONS

Men's Shaving Razor Stand, posted unknown [online], [retrieved Feb. 5, 2024]. Retrieved from internet, <https://www.amazon.com/Anself-Shaving-Holder-Aluminum-Safety/dp/B075L7PM9H> (Year: 2024).\*

Eravor Men's Shaving Razor Stand, posted unknown [online], [retrieved Feb. 5, 2024]. Retrieved from internet, <https://www.amazon.com/ERAVOR-Shaving-Razor-Safety-Holder/dp/B07FXN3Y8Z> (Year: 2024).\*

Shaver Dock Charger, posted unknown [online], [retrieved Feb. 5, 2024]. Retrieved from internet, <https://www.amazon.com/Shaver-Charger-Razor-Stand-Replacement/dp/B0CGV4F116> (Year: 2024).\*

Defender Razor, posted unknown [online], [retrieved Feb. 5, 2024]. Retrieved from internet, <https://defenderrazor.com/chrome-series> (Year: 2024).\*

Amazon.com: Gillette Mens Razor with Exfoliating Bar by GilletteLabs, Available on Amazon at least as early as Jan. 11, 2022.

\* cited by examiner

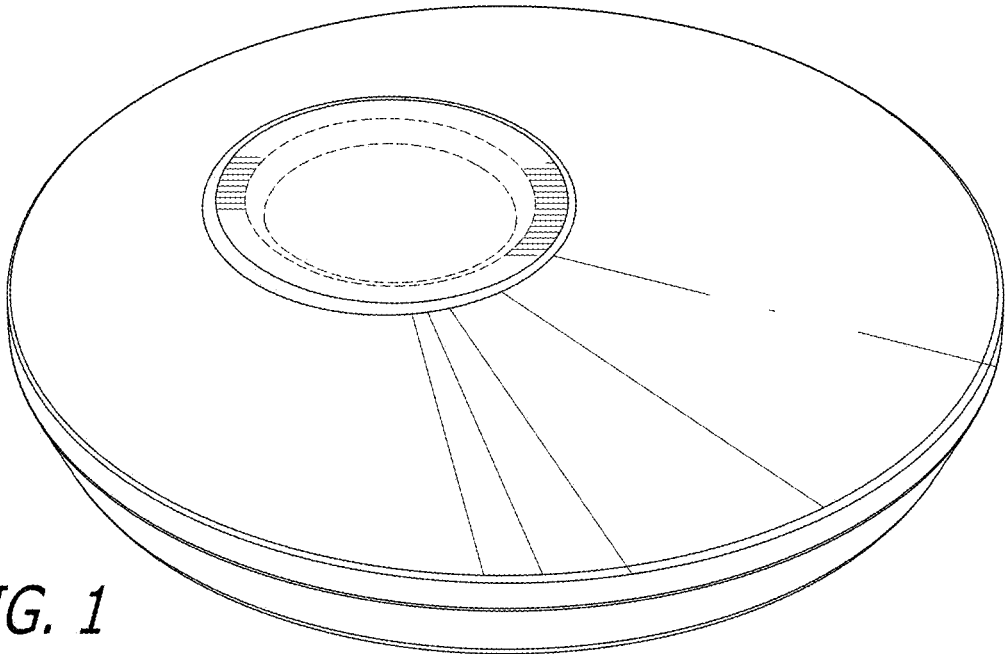


FIG. 1

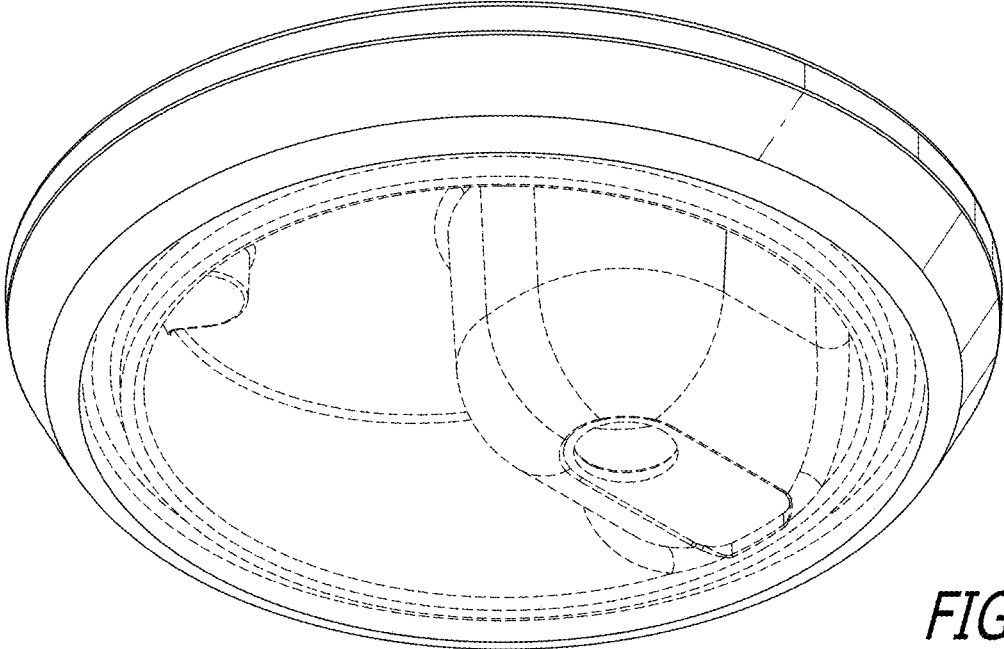
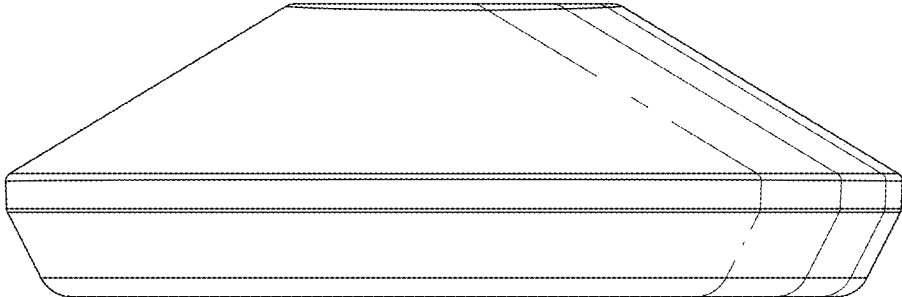
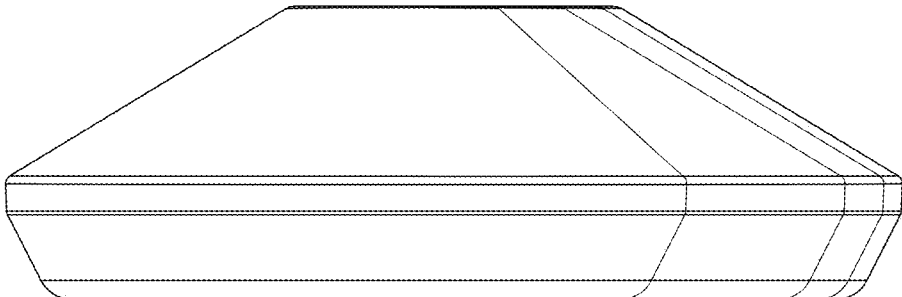


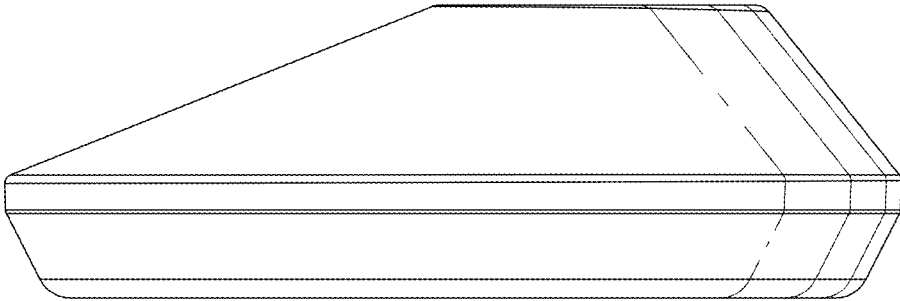
FIG. 2



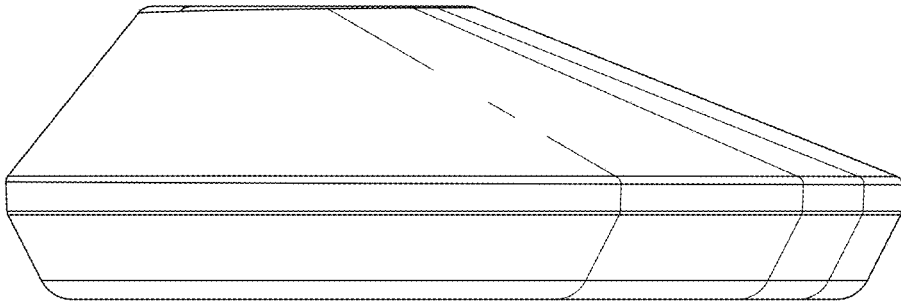
*FIG. 3*



*FIG. 4*



*FIG. 5*



*FIG. 6*

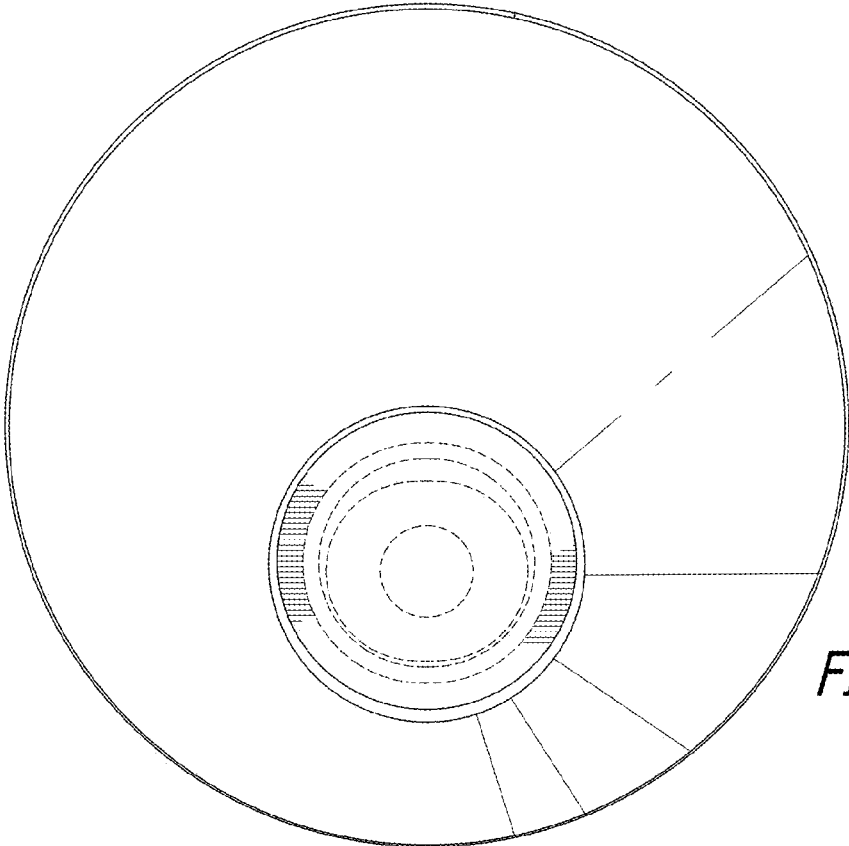


FIG. 7

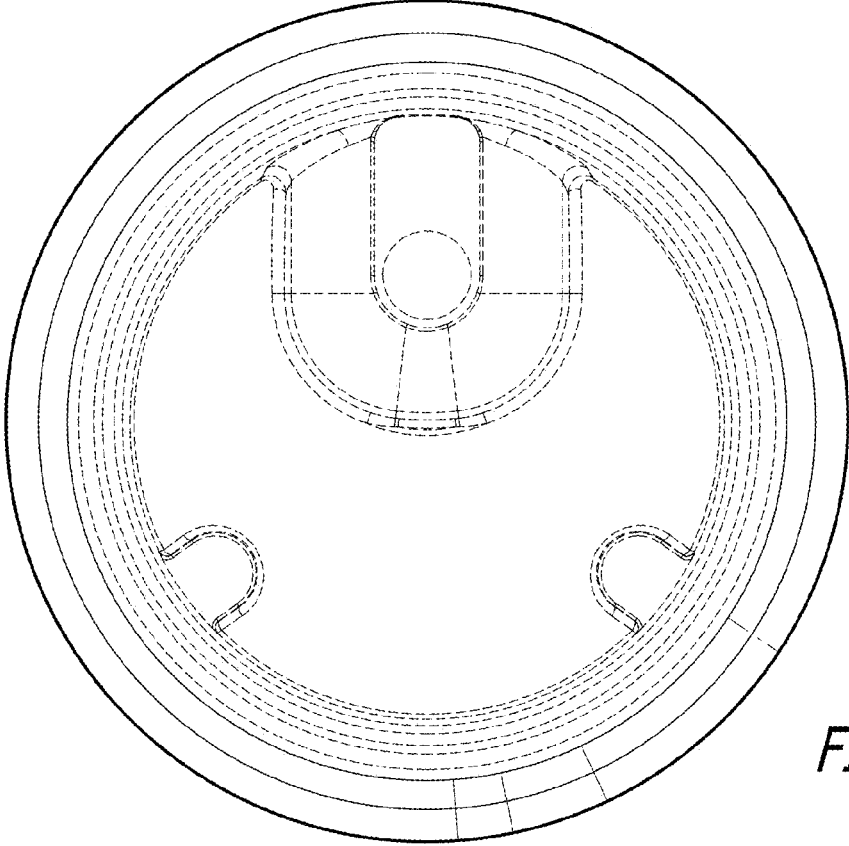


FIG. 8