

(19) World Intellectual Property Organization
International Bureau



(43) International Publication Date
8 May 2008 (08.05.2008)

PCT

(10) International Publication Number
WO 2008/054710 A3

- (51) International Patent Classification:
H03H 7/01 (2006.01)
- (21) International Application Number:
PCT/US2007/022849
- (22) International Filing Date: 30 October 2007 (30.10.2007)
- (25) Filing Language: English
- (26) Publication Language: English
- (30) Priority Data:
11/590,322 31 October 2006 (31.10.2006) US
- (71) Applicant (for all designated States except US): **AZURE DYNAMICS INC.** [US/US]; 9 Forbes Road, Woburn, MA 01801 (US).

AT, AU, AZ, BA, BB, BG, BH, BR, BW, BY, BZ, CA, CH, CN, CO, CR, CU, CZ, DE, DK, DM, DO, DZ, EC, EE, EG, ES, FI, GB, GD, GE, GH, GM, GT, HN, HR, HU, ID, IL, IN, IS, JP, KE, KG, KM, KN, KP, KR, KZ, LA, LC, LK, LR, LS, LT, LU, LY, MA, MD, ME, MG, MK, MN, MW, MX, MY, MZ, NA, NG, NI, NO, NZ, OM, PG, PH, PL, PT, RO, RS, RU, SC, SD, SE, SG, SK, SL, SM, SV, SY, TJ, TM, TN, TR, TT, TZ, UA, UG, US, UZ, VC, VN, ZA, ZM, ZW.

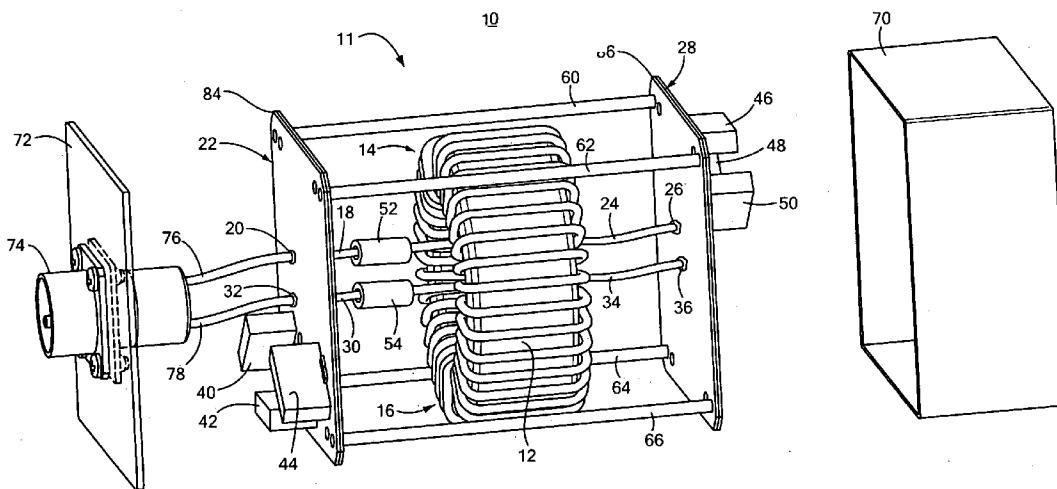
(84) Designated States (unless otherwise indicated, for every kind of regional protection available): ARIPO (BW, GH, GM, KE, LS, MW, MZ, NA, SD, SL, SZ, TZ, UG, ZM, ZW), Eurasian (AM, AZ, BY, KG, KZ, MD, RU, TJ, TM), European (AT, BE, BG, CH, CY, CZ, DE, DK, EE, ES, FI, FR, GB, GR, HU, IE, IS, IT, LT, LU, LV, MC, MT, NL, PL, PT, RO, SE, SI, SK, TR), OAPI (BF, BJ, CF, CG, CI, CM, GA, GN, GQ, GW, ML, MR, NE, SN, TD, TG).

- (72) Inventor; and
- (75) Inventor/Applicant (for US only): **LUCAS, Donald, J.** [US/US]; 7 Stonehill Drive, Stoneham, MA 02180 (US).
- (74) Agents: **IANDIORIO, Joseph, S.** et al.; Iandiorio & Teska, 260 Bear Hill Road, Waltham, MA 02451 (US).
- (81) Designated States (unless otherwise indicated, for every kind of national protection available): AE, AG, AL, AM,

Published:
— with international search report
— before the expiration of the time limit for amending the claims and to be republished in the event of receipt of amendments

(88) Date of publication of the international search report:
6 November 2008

(54) Title: FILTER PACKAGE



(57) Abstract: A filter package includes a pair of spaced circuit boards; a magnetic core between the circuit boards; a plurality of windings on the core extending to at least one of the boards; and a plurality of conductor bars mechanically fastening and electrically interconnecting the circuit boards.

WO 2008/054710 A3

INTERNATIONAL SEARCH REPORT

International application No.

PCT/US07/22849

A. CLASSIFICATION OF SUBJECT MATTER
 IPC: **H03H 7/01** (2006.01) -

USPC: 333/181,185
 According to International Patent Classification (IPC) or to both national classification and IPC

B. FIELDS SEARCHED

Minimum documentation searched (classification system followed by classification symbols)
 U.S. : 333/181, 185, 12, 167, 172

Documentation searched other than minimum documentation to the extent that such documents are included in the fields searched

Electronic data base consulted during the international search (name of data base and, where practicable, search terms used)
 EAST: US-PGPUB; USPAT; USOCR; FPRS; EPO; JPO; DERWENT; IBM_TDB

C. DOCUMENTS CONSIDERED TO BE RELEVANT

Category *	Citation of document, with indication, where appropriate, of the relevant passages	Relevant to claim No.
X --- A	US 4,761,623 (SCHNEIDER) 2 August 1988 (02.08.1988), entire document.	1-6, 11, 12 and 14-16 ----- 7-10 and 13
X --- A	US 6,958,666 B2 (BEGON et al.) 25 October 2005 (25.10.2005), entire document.	1-4 and 12 ----- 7-10 and 13

Further documents are listed in the continuation of Box C. See patent family annex.

* Special categories of cited documents:	
"A" document defining the general state of the art which is not considered to be of particular relevance	"T" later document published after the international filing date or priority date and not in conflict with the application but cited to understand the principle or theory underlying the invention
"E" earlier application or patent published on or after the international filing date	"X" document of particular relevance; the claimed invention cannot be considered novel or cannot be considered to involve an inventive step when the document is taken alone
"L" document which may throw doubts on priority claim(s) or which is cited to establish the publication date of another citation or other special reason (as specified)	"Y" document of particular relevance; the claimed invention cannot be considered to involve an inventive step when the document is combined with one or more other such documents, such combination being obvious to a person skilled in the art
"O" document referring to an oral disclosure, use, exhibition or other means	"&" document member of the same patent family
"P" document published prior to the international filing date but later than the priority date claimed	

Date of the actual completion of the international search 23 August 2008 (23.08.2008)	Date of mailing of the international search report 26 AUG 2008
--	--

Name and mailing address of the ISA/US Mail Stop PCT, Attn: ISA/US Commissioner for Patents P.O. Box 1450 Alexandria, Virginia 22313-1450 Facsimile No. (571) 273-3201	Authorized officer Marianne Seidel <i>J. Roberts for</i> Telephone No. (571) 272-1600
---	---