

(19) World Intellectual Property Organization  
International Bureau



(43) International Publication Date  
23 July 2009 (23.07.2009)

PCT

(10) International Publication Number  
**WO 2009/090507 A3**

- (51) **International Patent Classification:**  
*G06F 3/01* (2006.01)      *H04M 1/02* (2006.01)  
*G06F 3/048* (2006.01)
- (21) **International Application Number:**  
PCT/IB2008/052784
- (22) **International Filing Date:**  
10 July 2008 (10.07.2008)
- (25) **Filing Language:** English
- (26) **Publication Language:** English
- (30) **Priority Data:**  
12/013,571      14 January 2008 (14.01.2008)      US
- (71) **Applicant (for all designated States except US):** SONY ERICSSON MOBILE COMMUNICATIONS AB [SE/SE]; Nya Vattentornet, S-221 88 Lund (SE).
- (72) **Inventor; and**
- (75) **Inventor/Applicant (for US only):** PETERSSON, Helena Elisabet [SE/SE]; Timotejvägen 7, S-749 48 Enköping (SE).
- (74) **Agents:** KELLEY, Steven S. et al.; Harrity Snyder LLP, 11350 Random Hills Road, Suite 600, Fairfax, VA 22030 (US).

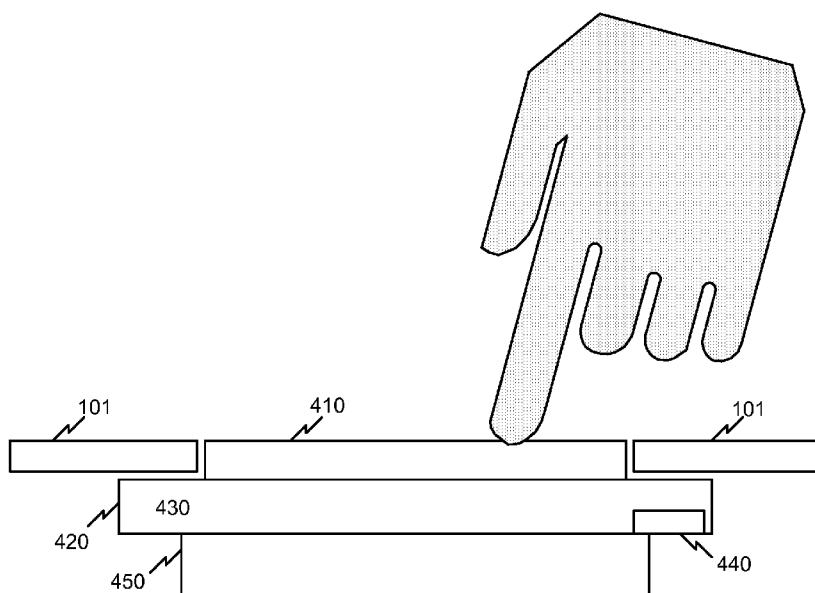
- (81) **Designated States (unless otherwise indicated, for every kind of national protection available):** AE, AG, AL, AM, AO, AT, AU, AZ, BA, BB, BG, BH, BR, BW, BY, BZ, CA, CH, CN, CO, CR, CU, CZ, DE, DK, DM, DO, DZ, EC, EE, EG, ES, FI, GB, GD, GE, GH, GM, GT, HN, HR, HU, ID, IL, IN, IS, JP, KE, KG, KM, KN, KP, KR, KZ, LA, LC, LK, LR, LS, LT, LU, LY, MA, MD, ME, MG, MK, MN, MW, MX, MY, MZ, NA, NG, NI, NO, NZ, OM, PG, PH, PL, PT, RO, RS, RU, SC, SD, SE, SG, SK, SL, SM, ST, SV, SY, TJ, TM, TN, TR, TT, TZ, UA, UG, US, UZ, VC, VN, ZA, ZM, ZW.
- (84) **Designated States (unless otherwise indicated, for every kind of regional protection available):** ARIPO (BW, GH, GM, KE, LS, MW, MZ, NA, SD, SL, SZ, TZ, UG, ZM, ZW), Eurasian (AM, AZ, BY, KG, KZ, MD, RU, TJ, TM), European (AT, BE, BG, CH, CY, CZ, DE, DK, EE, ES, FI, FR, GB, GR, HR, HU, IE, IS, IT, LT, LU, LV, MC, MT, NL, NO, PL, PT, RO, SE, SI, SK, TR), OAPI (BF, BJ, CF, CG, CI, CM, GA, GN, GQ, GW, ML, MR, NE, SN, TD, TG).

**Published:**

- with international search report (Art. 21(3))
- before the expiration of the time limit for amending the claims and to be republished in the event of receipt of amendments (Rule 48.2(h))

[Continued on next page]

(54) **Title:** TOUCH SENSITIVE DISPLAY WITH ULTRASONIC VIBRATIONS FOR TACTILE FEEDBACK



**FIG. 4A**

(57) **Abstract:** A mobile communication device may include logic configured to receive input on a touch sensitive surface of a device and activate an ultrasonic element to vibrate in response to the received input, where the vibration provides tactile feedback to a user indicating that the device has received the input.



WO 2009/090507 A3

**(88) Date of publication of the international search report:**  
5 November 2009

**INTERNATIONAL SEARCH REPORT**

International application No  
PCT/IB2008/052784

**A. CLASSIFICATION OF SUBJECT MATTER**  
INV. G06F3/01 G06F3/048 H04M1/02

According to International Patent Classification (IPC) or to both national classification and IPC

**B. FIELDS SEARCHED**

Minimum documentation searched (classification system followed by classification symbols)  
G06F H04M

Documentation searched other than minimum documentation to the extent that such documents are included in the fields searched

Electronic data base consulted during the international search (name of data base and, where practical, search terms used)

EPO-Internal

**C. DOCUMENTS CONSIDERED TO BE RELEVANT**

Category*	Citation of document, with indication, where appropriate, of the relevant passages	Relevant to claim No.
X	WO 2007/111909 A (UNIV NORTHWESTERN [US]; PESHKIN MICHAEL [US]; GLASSMIRE JOHN [US]; COL) 4 October 2007 (2007-10-04) page 3, paragraph 1 - page 4, paragraph 2 page 4, paragraph 4 - paragraph 5 page 17, paragraph 2	1, 4-14
Y	page 29, last paragraph - page 30, last paragraph; figures	2, 3, 15-20
Y	US 2004/069605 A1 (TAKABATAKE KENICHI [JP] ET AL TAKABATAKE KENICHI [JP] ET AL) 15 April 2004 (2004-04-15) paragraphs [0015] - [0017], [0050] - [0052], [0078]; figures	2, 3, 15-20
	----- -/--	

Further documents are listed in the continuation of Box C.

See patent family annex.

\* Special categories of cited documents :

- \*A\* document defining the general state of the art which is not considered to be of particular relevance
- \*E\* earlier document but published on or after the international filing date
- \*L\* document which may throw doubts on priority claim(s) or which is cited to establish the publication date of another citation or other special reason (as specified)
- \*O\* document referring to an oral disclosure, use, exhibition or other means
- \*P\* document published prior to the international filing date but later than the priority date claimed

- \*T\* later document published after the international filing date or priority date and not in conflict with the application but cited to understand the principle or theory underlying the invention
- \*X\* document of particular relevance; the claimed invention cannot be considered novel or cannot be considered to involve an inventive step when the document is taken alone
- \*Y\* document of particular relevance; the claimed invention cannot be considered to involve an inventive step when the document is combined with one or more other such documents, such combination being obvious to a person skilled in the art.
- \*&\* document member of the same patent family

Date of the actual completion of the international search

3 September 2009

Date of mailing of the international search report

10/09/2009

Name and mailing address of the ISA/  
European Patent Office, P.B. 5818 Patentlaan 2  
NL - 2280 HV Rijswijk  
Tel. (+31-70) 340-2040,  
Fax: (+31-70) 340-3016

Authorized officer

Durand, Jacques

## INTERNATIONAL SEARCH REPORT

International application No  
PCT/IB2008/052784

C(Continuation). DOCUMENTS CONSIDERED TO BE RELEVANT		
Category*	Citation of document, with indication, where appropriate, of the relevant passages	Relevant to claim No.
A	US 7 170 428 B2 (HIMBERG JOHAN [FI] ET AL HIMBERG JOHAN [FI] ET AL) 30 January 2007 (2007-01-30) column 1, line 37 - line 54 column 2, line 42 - column 3, line 34 -----	1-20
E	WO 2008/125130 A (NOKIA CORP [FI]; LAITINEN PAULI [FI]; KAUKANEN PETTERI [FI]) 23 October 2008 (2008-10-23) page 2, line 11 - page 3, line 13 page 5, line 25 page 15, line 15 - line 22; claims; figures -----	1-20

# INTERNATIONAL SEARCH REPORT

Information on patent family members

International application No <b>PCT/IB2008/052784</b>
--

Patent document cited in search report	Publication date	Patent family member(s)	Publication date
WO 2007111909 A	04-10-2007	US 2007236450 A1	11-10-2007
US 2004069605 A1	15-04-2004	CN 1494726 A DE 10296424 T5 WO 03034455 A1 JP 4186449 B2 JP 2003123588 A TW 574718 B	05-05-2004 15-04-2004 24-04-2003 26-11-2008 25-04-2003 01-02-2004
US 7170428 B2	30-01-2007	AU 2003232279 A1 DE 10392817 T5 WO 03107168 A1 GB 2405687 A JP 2005530235 T US 2004009788 A1 US 2005253816 A1	31-12-2003 02-06-2005 24-12-2003 09-03-2005 06-10-2005 15-01-2004 17-11-2005
WO 2008125130 A	23-10-2008	NONE	