



US00D899975S

(12) **United States Design Patent**  
**Wu et al.**

(10) **Patent No.:** **US D899,975 S**

(45) **Date of Patent:** **\*\* Oct. 27, 2020**

(54) **FOLDABLE VEHICLE**

FOREIGN PATENT DOCUMENTS

(71) Applicant: **Smacircle LMT, Ltd.**, Shenzhen, Guangdong Province (CN)

CN 201530054993 \* 3/2015  
CN 201630426592 \* 8/2016

(72) Inventors: **Shanggui Wu**, Shenzhen (CN); **Walter Mosca**, Kowloon (HK)

OTHER PUBLICATIONS

(73) Assignee: **Smacircle LMT. Ltd.**, Shenzhen (CN)

Youtube, Smacircle S1 foldable bike, posted Jun. 22, 2017, [online], [visited Aug. 5, 2020]. Internet, <URL: <https://www.youtube.com/watch?v=4oZ9-KkLR3Q>> (Year: 2017).\*

(\*\*) Term: **15 Years**

Youtube, Smacircle S1 foldable electric bike, posted Nov. 27, 2017, [online], [visited Aug. 5, 2020]. Internet, <URL: <https://www.youtube.com/watch?v=w2acPZPH91A>> (Year: 2017).\*

(21) Appl. No.: **29/678,137**

\* cited by examiner

(22) Filed: **Jan. 25, 2019**

(51) **LOC (12) Cl.** ..... **12-11**

(52) **U.S. Cl.**

USPC ..... **D12/111**

(58) **Field of Classification Search**

USPC ..... D12/111, 107, 114, 117, 159; D21/419, D21/424, 427, 432, 663, 664, 666, 697  
CPC . B62K 3/00; B62K 3/005; B62K 3/02; B62K 3/04; B62K 11/00; B62K 11/02; B62K 11/10; B62K 11/14; B62K 21/12; B62K 21/16; B62K 21/26; B62K 21/02; B62K 21/04; B62K 21/06; B62K 9/02; B62K 15/002; B62K 2201/04; B62K 25/04; B62K 25/08; B62K 25/16; B62K 25/30

See application file for complete search history.

*Primary Examiner* — Sheryl Lane

*Assistant Examiner* — Samantha N Wood

(74) *Attorney, Agent, or Firm* — Raymond Sun

(57) **CLAIM**

The ornamental design for a foldable vehicle, as shown and described.

**DESCRIPTION**

FIG. 1 is a front perspective view of a foldable vehicle showing one embodiment of my new design.

FIG. 2 is a rear perspective view of the foldable vehicle of FIG. 1.

FIG. 3 is a left side view of the foldable vehicle of FIG. 1.

FIG. 4 is a right side view of the foldable vehicle of FIG. 1.

FIG. 5 is a front view of the foldable vehicle of FIG. 1.

FIG. 6 is a rear view of the foldable vehicle of FIG. 1.

FIG. 7 is a top view of the foldable vehicle of FIG. 1; and,

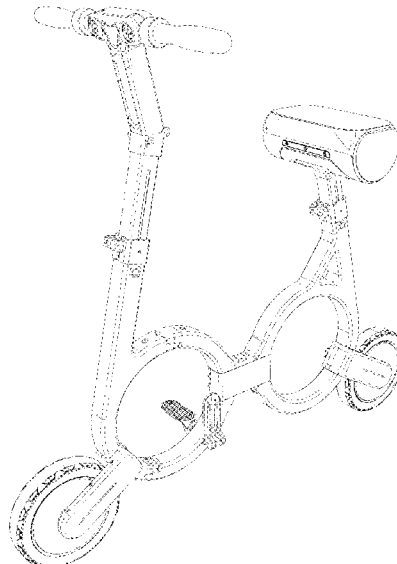
FIG. 8 is a bottom view of the foldable vehicle of FIG. 1.

**1 Claim, 8 Drawing Sheets**

(56) **References Cited**

U.S. PATENT DOCUMENTS

5,409,248 A \* 4/1995 Williams ..... B62K 25/30  
188/285  
D586,265 S \* 2/2009 Lin ..... D12/111  
D641,292 S \* 7/2011 Tortola ..... D12/111  
D780,637 S \* 3/2017 Shao ..... D12/111  
D809,434 S \* 2/2018 Le ..... D12/111  
D829,133 S \* 9/2018 Rahmatulloev ..... D12/111  
2014/0076650 A1 \* 3/2014 Kim, II ..... B62M 6/40  
180/220



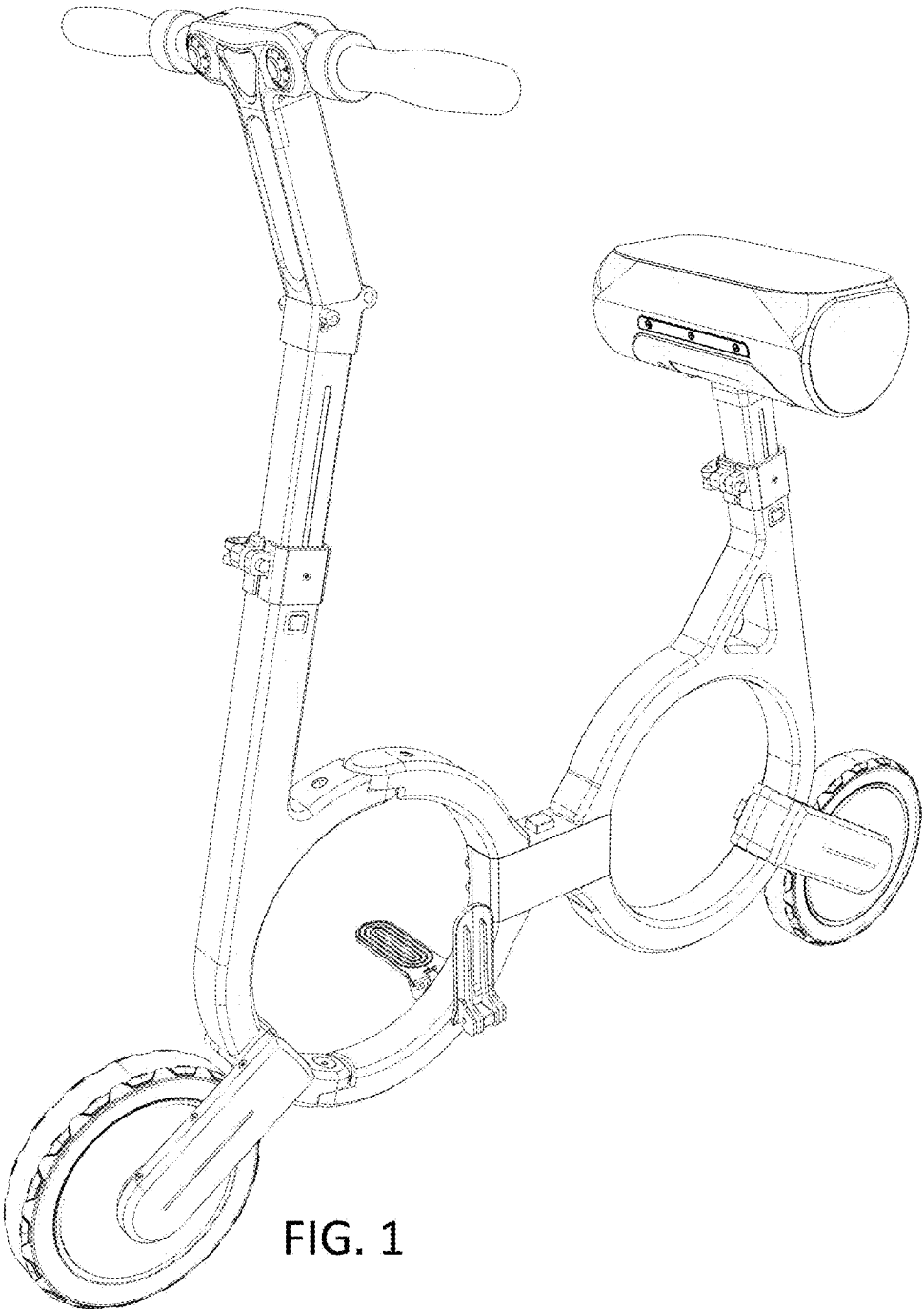


FIG. 1

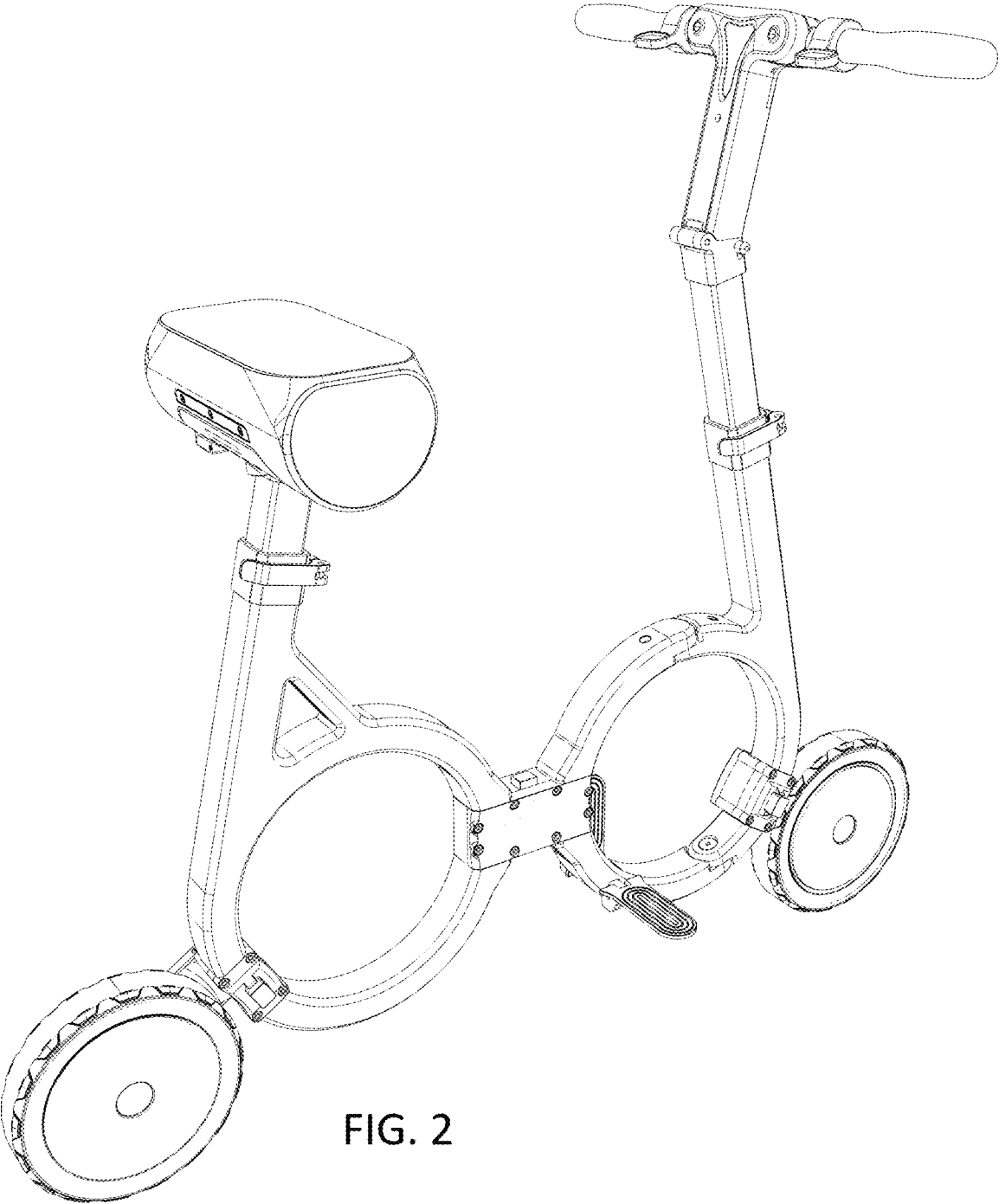


FIG. 2

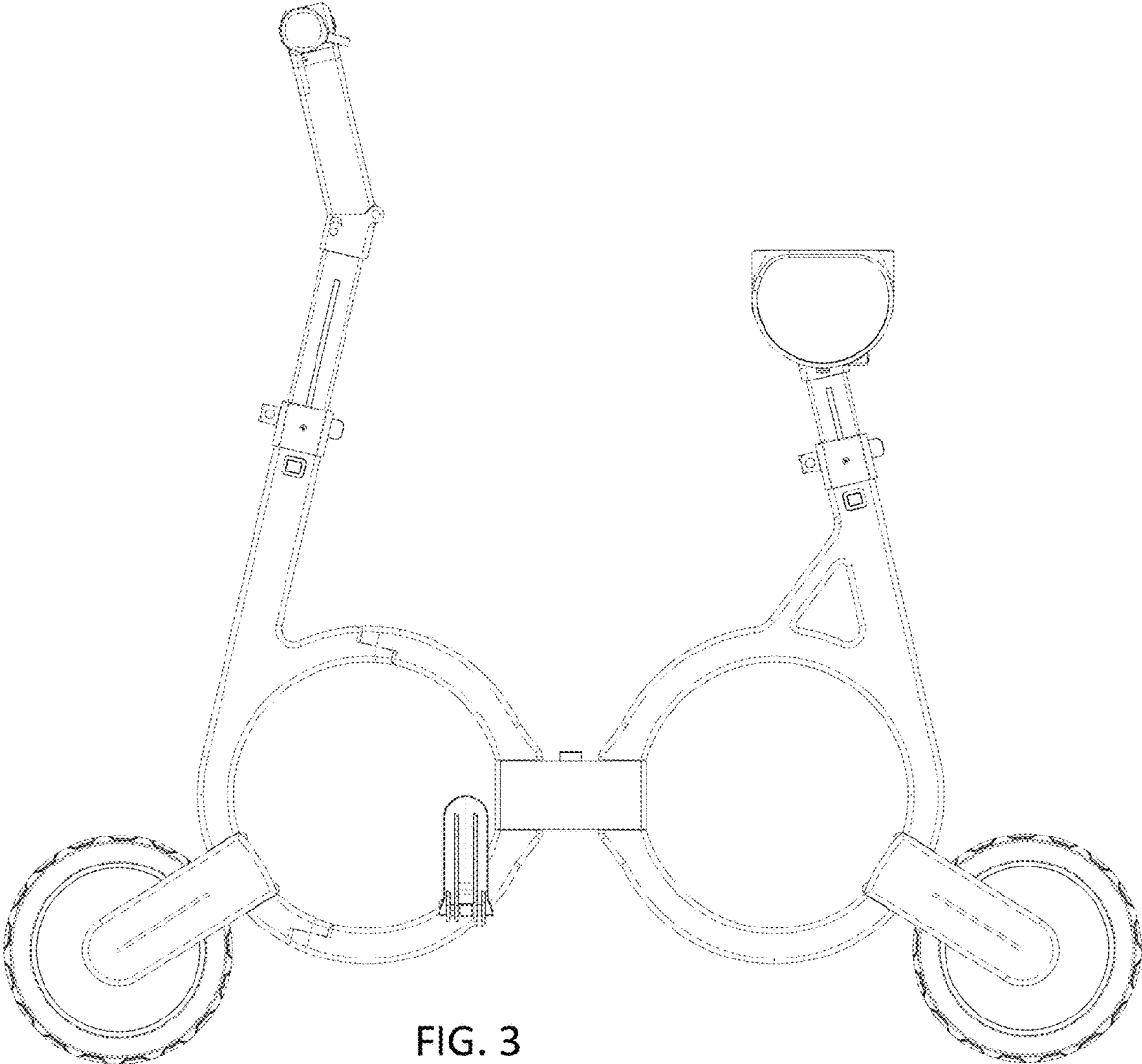


FIG. 3

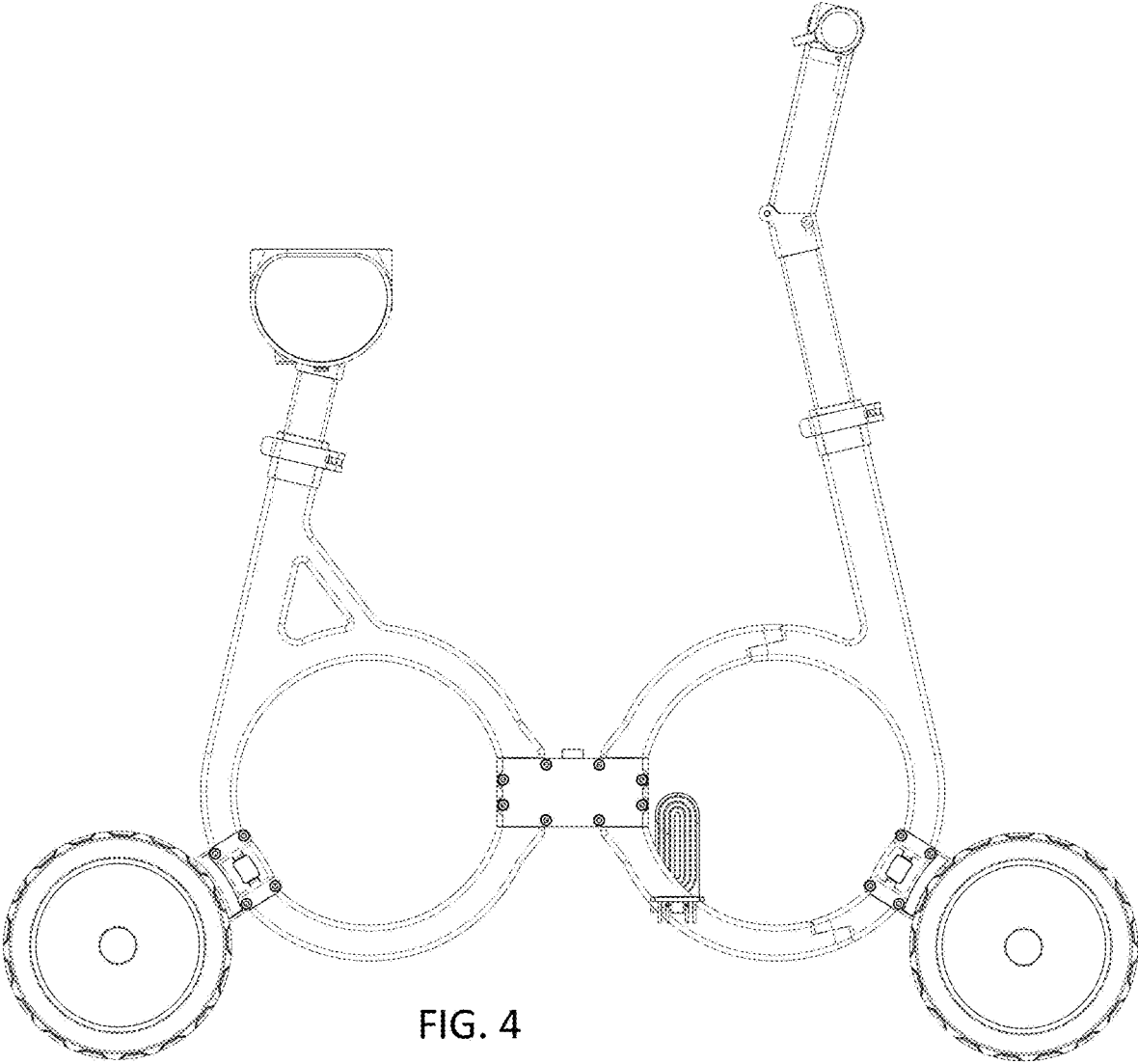


FIG. 4

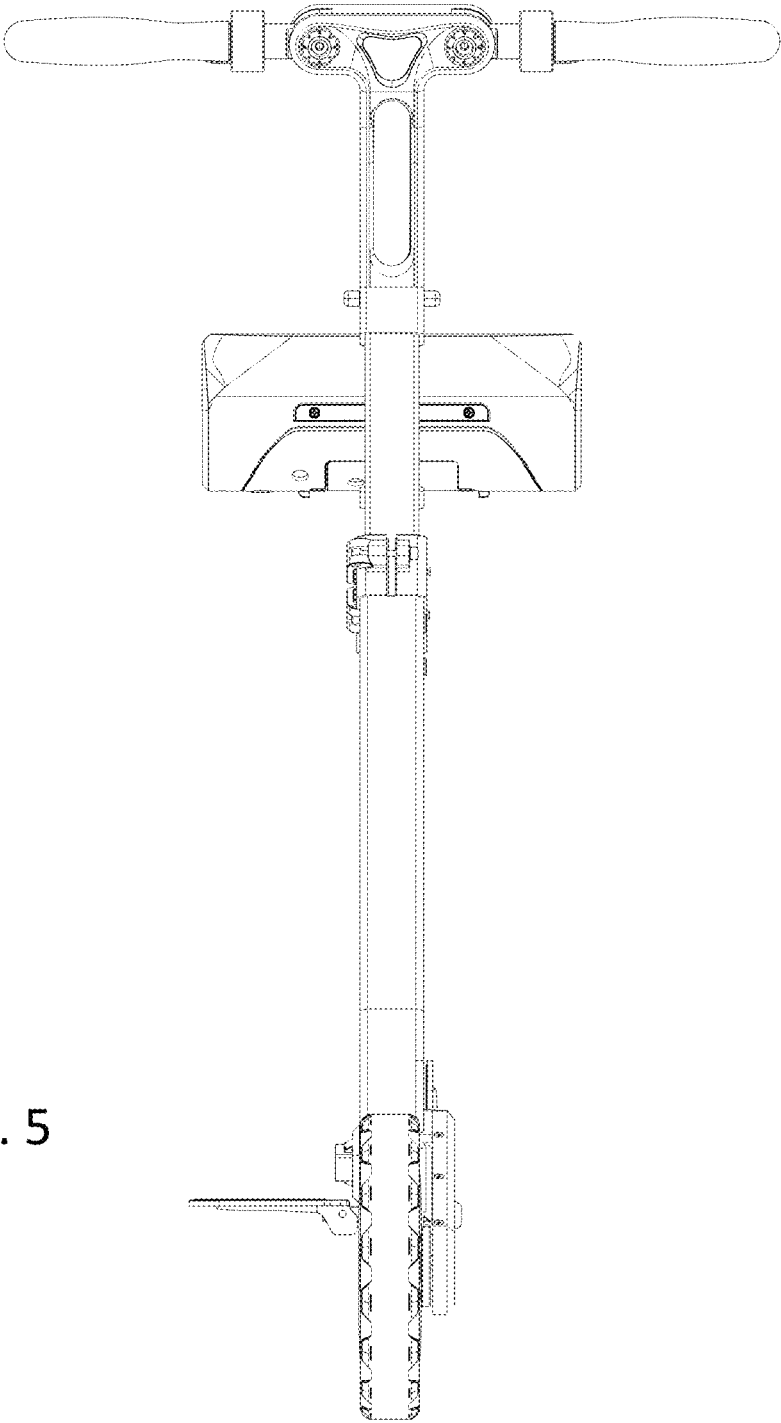


FIG. 5

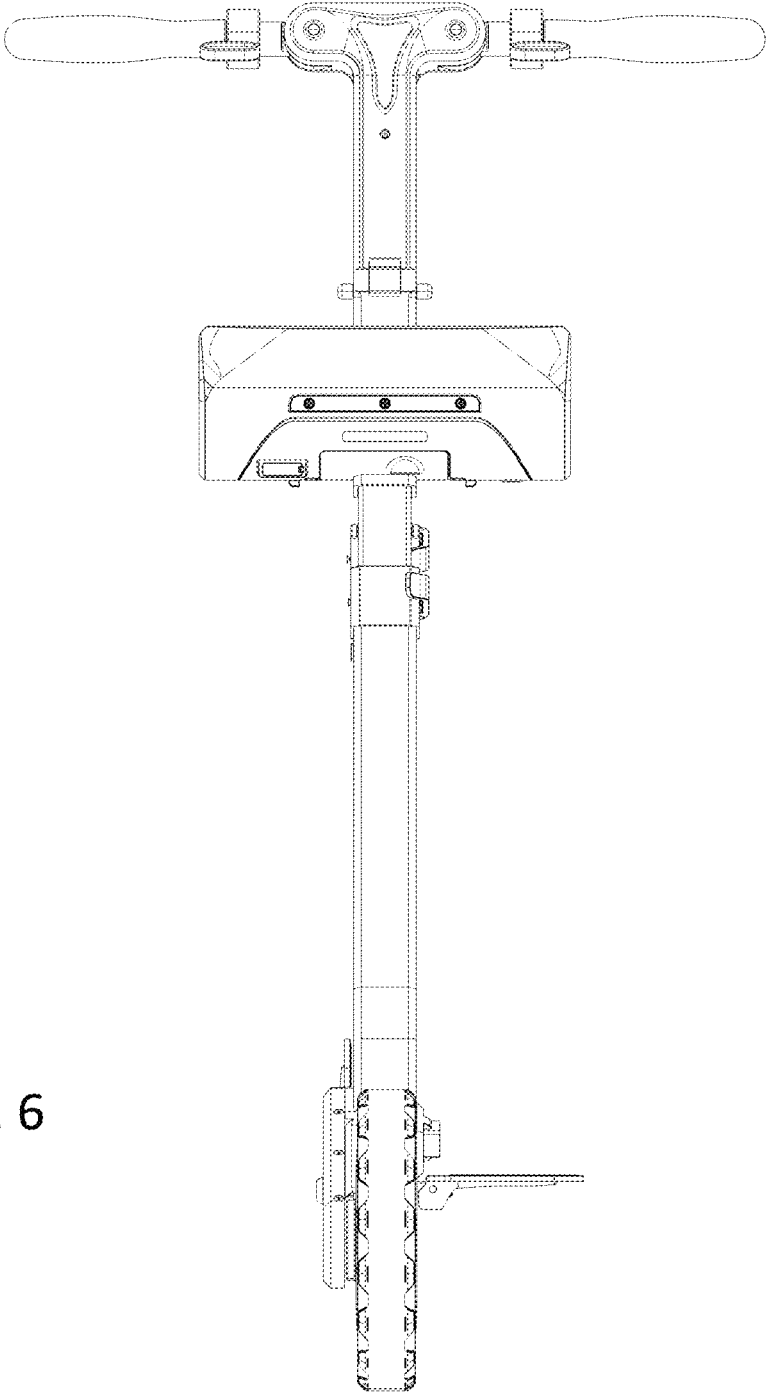


FIG. 6

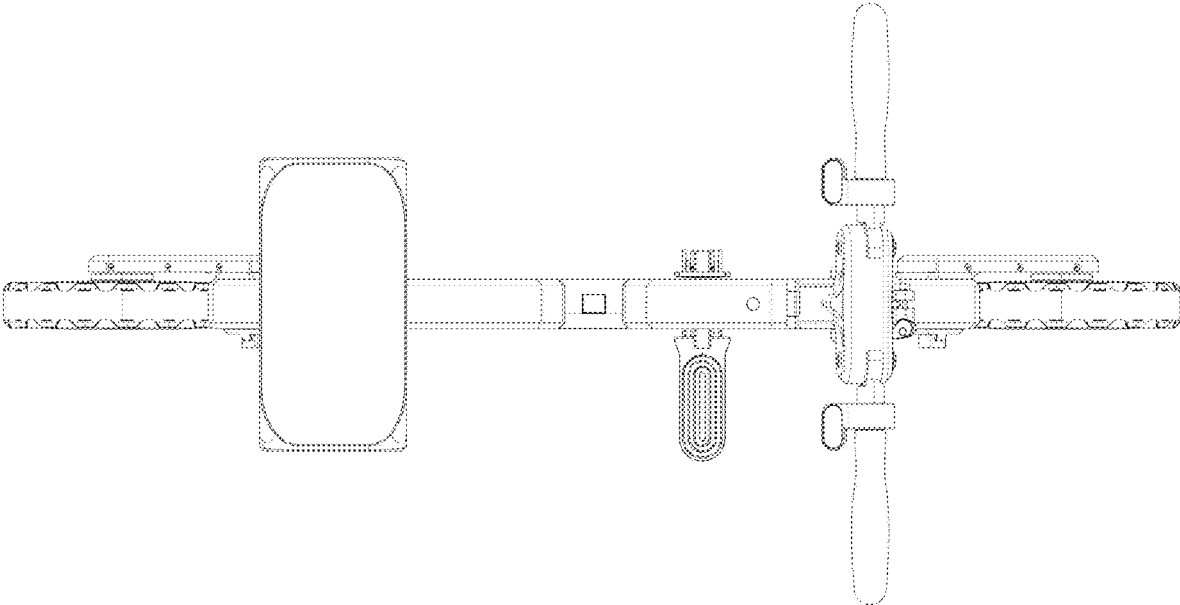


FIG. 7



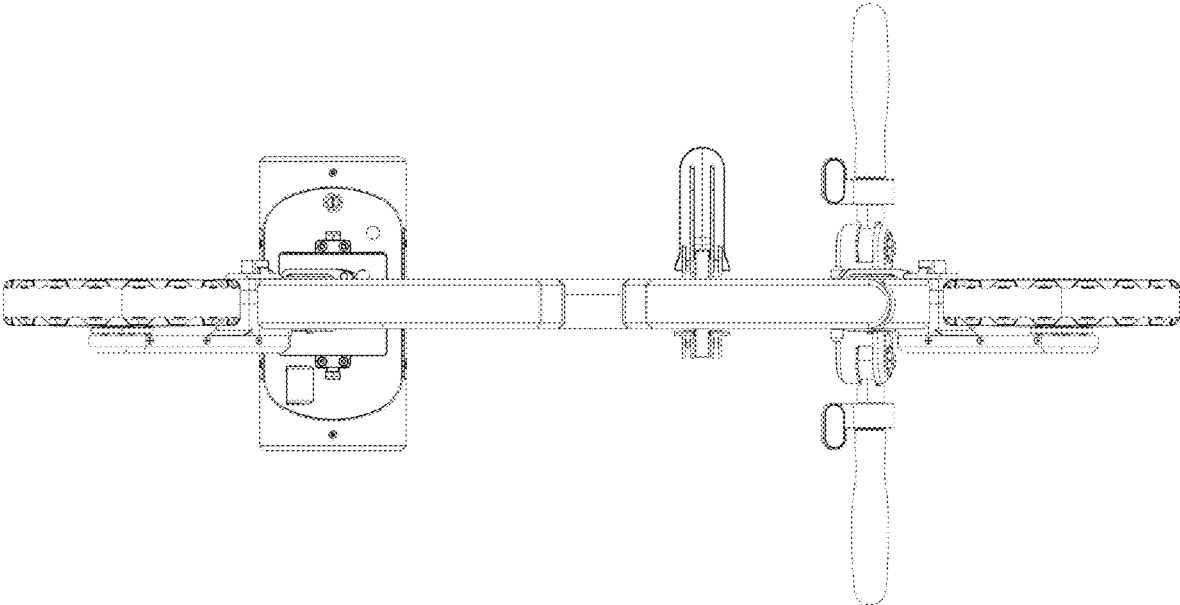


FIG. 8