



(12) **United States Design Patent**
Seidl et al.

(10) **Patent No.:** US D838,532 S
(45) **Date of Patent:** ** Jan. 22, 2019

(54) **MACHINES FOR PREPARING BEVERAGES**

(71) Applicant: **LUIGI LAVAZZA S.P.A.**, Turin (IT)

(72) Inventors: **Florian Seidl**, Turin (IT); **Luca Franzosi**, Cornaredo (IT); **Stefano Lovati**, Gaggiano (IT)

(73) Assignee: **Luigi Lavazza S.p.A.**, Turin (IT)

(**) Term: **15 Years**

(21) Appl. No.: **35/502,650**

(22) Filed: **Sep. 19, 2016**

(80) **Hague Agreement Data**

Int. Filing Date: **Sep. 19, 2016**

Int. Reg. No.: **DM/092646**

Int. Reg. Date: **Sep. 19, 2016**

Int. Reg. Pub. Date: **Mar. 24, 2017**

(51) **LOC (11) Cl.** **07-02**

(52) **U.S. Cl.**
USPC **D7/311**
CPC **A47J 31/44** (2013.01)

(58) **Field of Classification Search**
USPC D7/305-311, 313; D15/82; 222/129.1, 222/146.6; 99/295
CPC A47J 31/44; A47J 31/4403; A47J 31/46; A47J 31/4482; A47J 31/369; A47J 31/407; A47J 31/10; A47J 31/467; A47J 31/0615; B67D 1/36; B67D 2210/0065; B67D 1/0864; B67D 3/0061
See application file for complete search history.

(56) **References Cited**

U.S. PATENT DOCUMENTS

D495,188	S	*	8/2004	Cahen	D7/306
D540,608	S	*	4/2007	Cahen	D7/306
D574,175	S	*	8/2008	Cahen	D7/306
D595,992	S	*	7/2009	Clark	D7/309

D596,441	S	*	7/2009	Cahen	D7/309
D596,442	S	*	7/2009	Cahen	D7/309
D600,967	S	*	9/2009	Cahen	D7/309
D602,303	S	*	10/2009	Cahen	D7/309
D612,657	S	*	3/2010	Luippold	D7/306
D644,058	S	*	8/2011	Cahen	D7/306
D649,392	S	*	11/2011	Cahen	D7/306
D666,050	S	*	8/2012	Cionfoli	D7/309
D666,051	S	*	8/2012	de Pra	D7/309
D666,451	S	*	9/2012	Cheng	D7/309
D667,251	S	*	9/2012	Cahen	D7/306
D674,232	S	*	1/2013	Lavy	D7/309
D674,233	S	*	1/2013	Lavy	D7/309
D678,710	S	*	3/2013	Xie	D7/309
8,479,640	B2	*	7/2013	Gavillet	A47J 31/3628 99/295
D695,054	S	*	12/2013	De Pra	D7/309
D695,560	S	*	12/2013	Cahen	D7/309
D696,888	S	*	1/2014	Cahen	D7/309
8,627,760	B2	*	1/2014	Kollep	A47J 31/4482 99/279
D703,477	S	*	4/2014	Celli	D7/306
8,800,433	B2	*	8/2014	Cahen	A47J 31/44 99/289 R
D713,667	S	*	9/2014	Marsland	D7/306
D714,088	S	*	9/2014	Cahen	D7/309

(Continued)

Primary Examiner — Richard E Chilcot

(74) *Attorney, Agent, or Firm* — Nixon & Vanderhye P.C.

(57) **CLAIM**

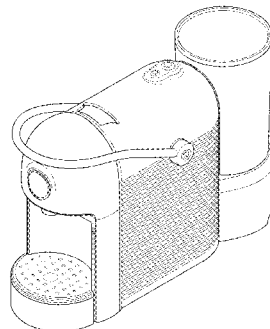
The ornamental design for a machine for preparing beverages, as shown and described.

DESCRIPTION

FIG. 2.1 is a front perspective view;
FIG. 2.2 is a front view;
FIG. 2.3 is a rear view;
FIG. 2.4 is a right side view;
FIG. 2.5 is a left side view; and
FIG. 2.6 is a top view.

The broken lines showing in the drawings are included for the purpose of illustrating portions of the article, and form no part of the claimed design.

1 Claim, 6 Drawing Sheets



(56)

References Cited

U.S. PATENT DOCUMENTS

D721,247	S	*	1/2015	Manly	D7/306
D723,317	S	*	3/2015	Manly	D7/306
D724,369	S	*	3/2015	Cahen	D7/309
D728,987	S	*	5/2015	Cahen	D7/309
D728,988	S	*	5/2015	Warburton	D7/306
D755,000	S	*	5/2016	Lovati	D7/306
D756,157	S	*	5/2016	Murphy	D7/306
D756,696	S	*	5/2016	Murphy	D7/306
D772,642	S	*	11/2016	Lownds	D7/376
D779,257	S	*	2/2017	Hale	D7/306
D779,258	S	*	2/2017	Cahen	D7/306
D792,730	S	*	7/2017	Ench	D7/306
D796,885	S	*	9/2017	Wang	D7/306
D800,497	S	*	10/2017	Fedorak	D7/397
D801,112	S	*	10/2017	Struggl	D7/397
D804,913	S	*	12/2017	Wang	D7/602
D812,952	S	*	3/2018	Fedorak	D7/306

* cited by examiner

Fig. 2.1

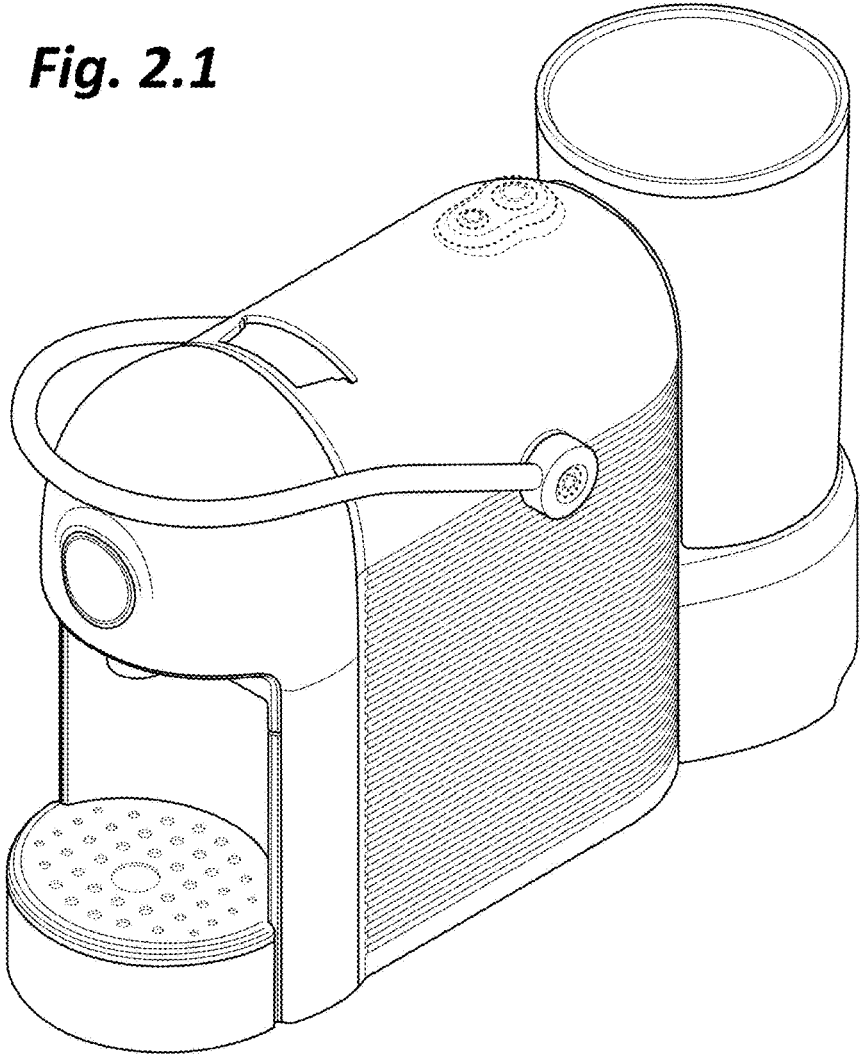


Fig. 2.2

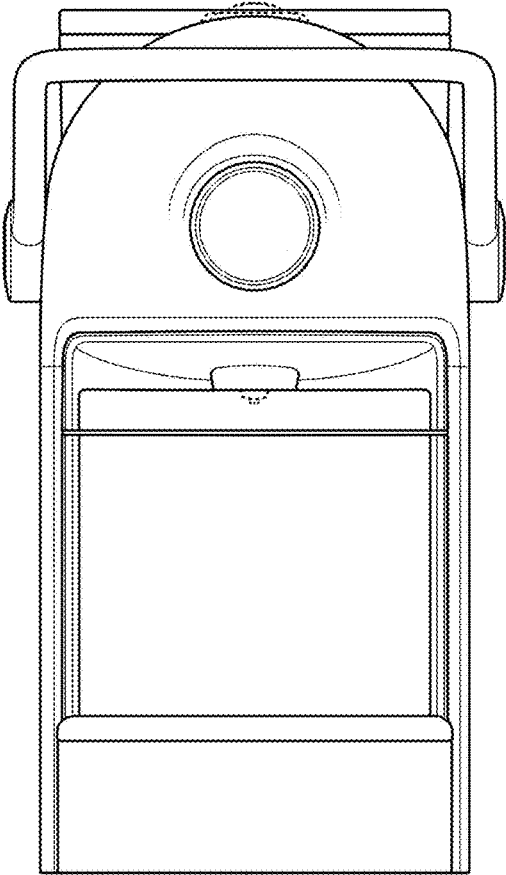


Fig. 2.3

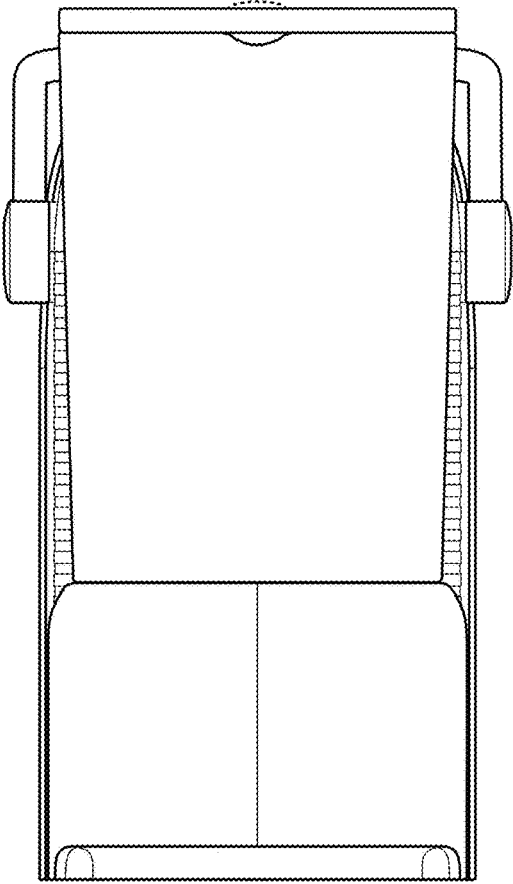


Fig. 2.4

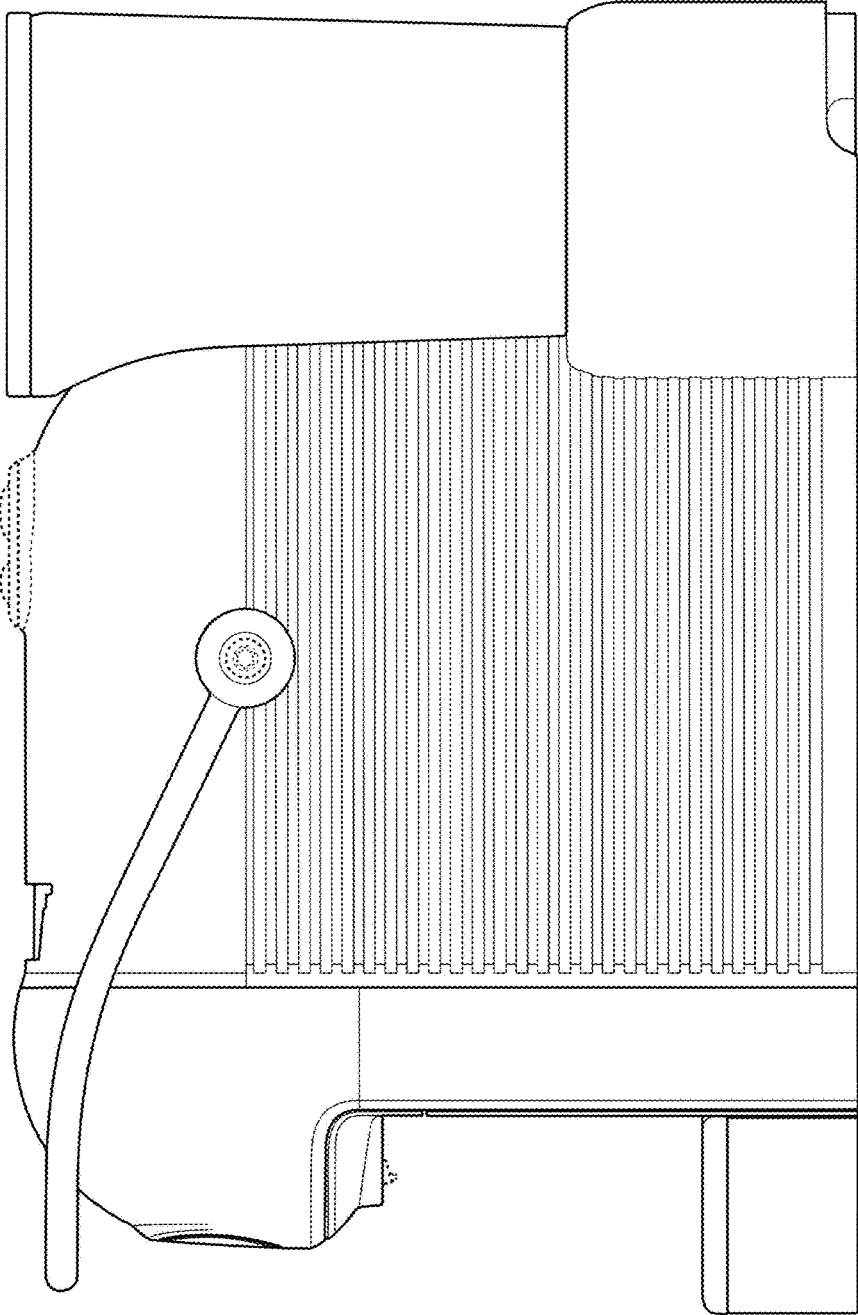


Fig. 2.5

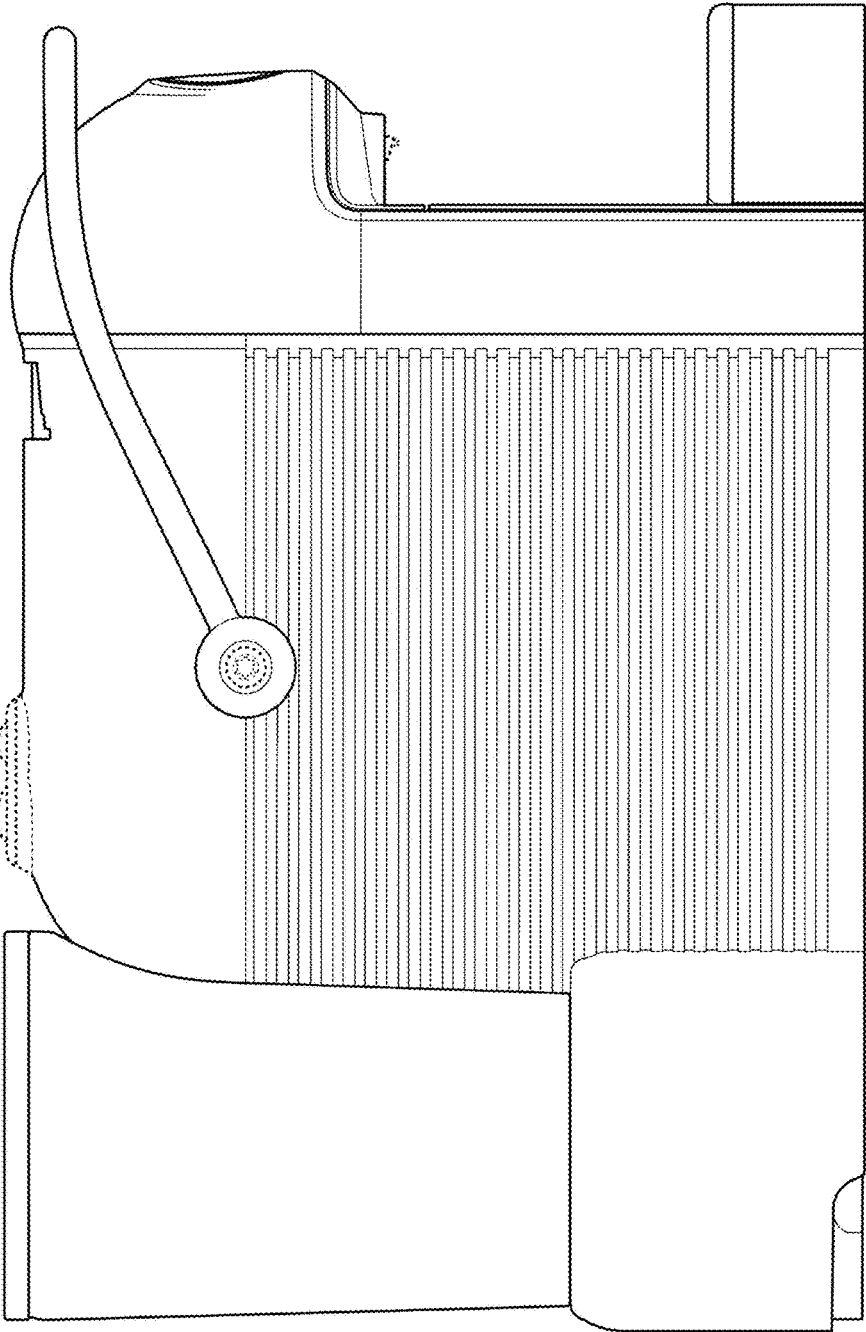


Fig. 2.6

