



US00D424751S

# United States Patent [19]

[11] Patent Number: **Des. 424,751**

**Kudo et al.**

[45] Date of Patent: **\*\* May 9, 2000**

[54] **COMPACT**

5,431,176 7/1995 Favre ..... 132/295  
5,735,297 4/1998 Litton ..... 132/294

[75] Inventors: **Aoshi Kudo; Tetsuo Togasawa**, both of Tokyo, Japan

### OTHER PUBLICATIONS

Drug & Cosmetic Industry (DCI) Feb. 1994, p. 9: compacts at bottom and center.

[73] Assignee: **Shiseido Co., Ltd.**, Tokyo, Japan

*Primary Examiner*—Ted Shooman  
*Assistant Examiner*—C. Tuttle  
*Attorney, Agent, or Firm*—Kanesaka & Takeuchi

[\*\*] Term: **14 Years**

[21] Appl. No.: **29/106,679**

### [57] CLAIM

[22] Filed: **Jun. 22, 1999**

The ornamental design for a compact, as shown and described.

[51] **LOC (7) Cl.** ..... **28-03**

[52] **U.S. Cl.** ..... **D28/78**

[58] **Field of Search** ..... D28/76-84; D9/420;  
132/293-307, 314-316; 206/235, 581, 823;  
220/DIG. 26

### DESCRIPTION

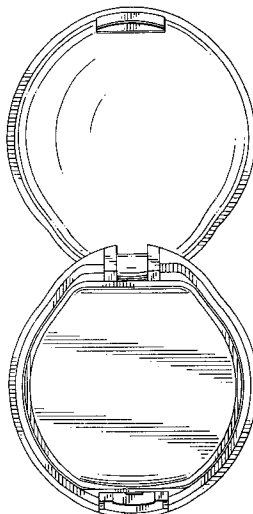
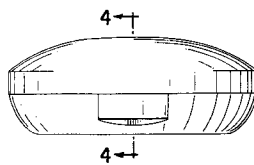
### [56] References Cited

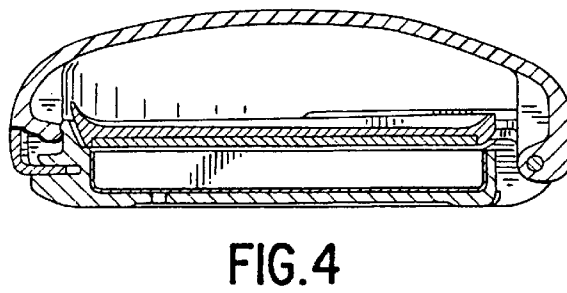
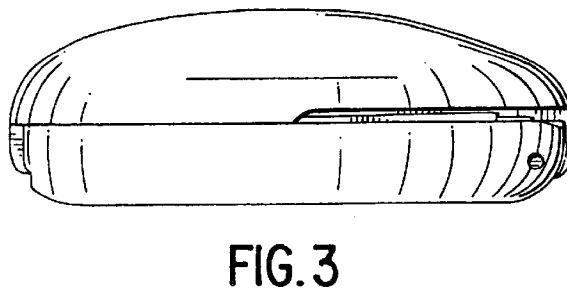
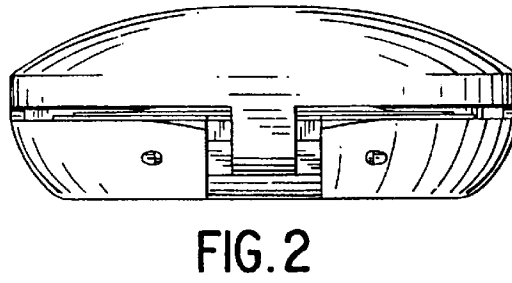
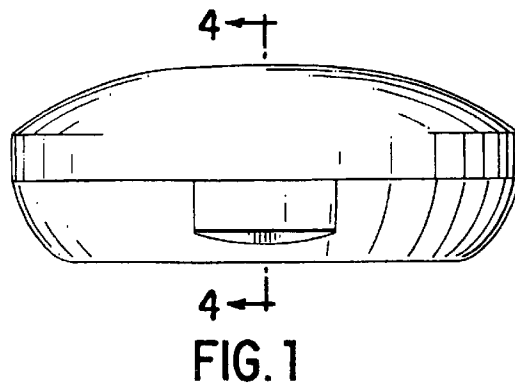
#### U.S. PATENT DOCUMENTS

D. 277,896	3/1985	Chevassus	.....	D28/78
D. 286,331	10/1986	Scoccola	.....	D28/78
D. 333,917	3/1993	Daido et al.	.....	D3/294
D. 351,682	10/1994	McIlvain	.....	D28/78
D. 363,661	10/1995	Lambelet, Jr. et al.	.....	D9/423
D. 381,124	7/1997	Blachut	.....	D28/78
D. 408,591	4/1999	Litton et al.	.....	D28/82
D. 412,222	7/1999	Bakie	.....	D28/82
2,537,534	1/1951	Landry	.....	132/297
4,681,127	7/1987	Gueret	.....	132/301
5,107,871	4/1992	Butcher et al.	.....	132/293 X

FIG. 1 is a front view of a compact showing our new design; FIG. 2 is a rear view thereof; FIG. 3 is a right side view thereof, the left view being symmetrical to the right side view; FIG. 4 is a cross sectional view taken along line 4—4 in FIG. 1; FIG. 5 is a top plan view thereof; FIG. 6 is a bottom plan view thereof; FIG. 7 is a top plan view thereof, wherein the cover is opened; and, FIG. 8 is a top plan view thereof, wherein the inner cover is raised to show the underlying compartment.

**1 Claim, 4 Drawing Sheets**





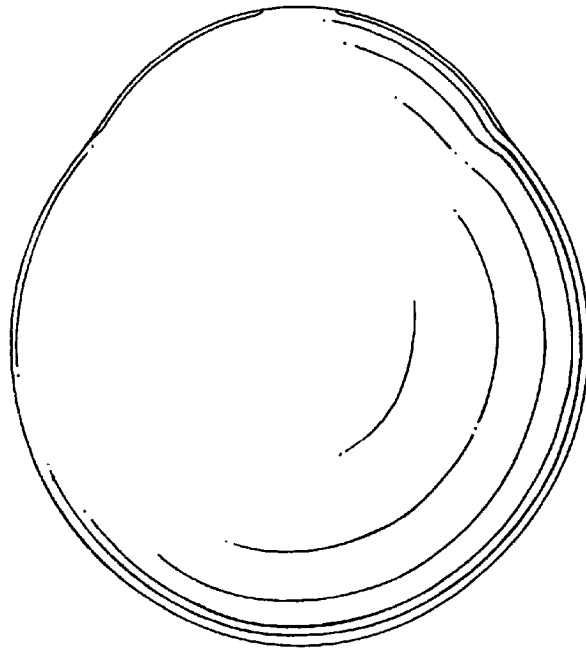


FIG. 5

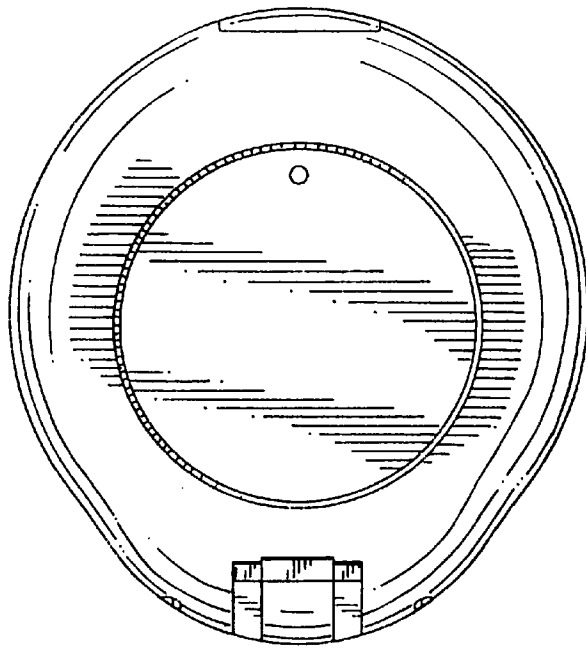


FIG. 6

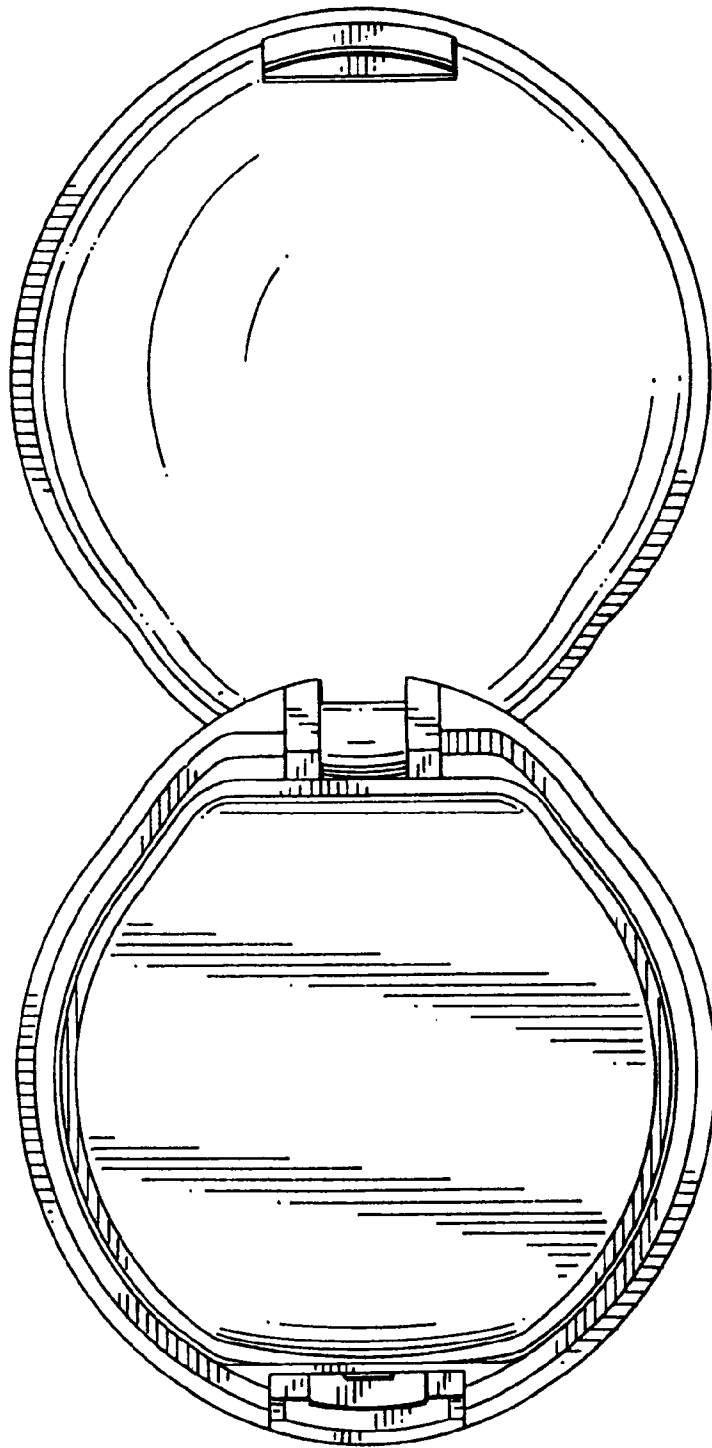


FIG. 7

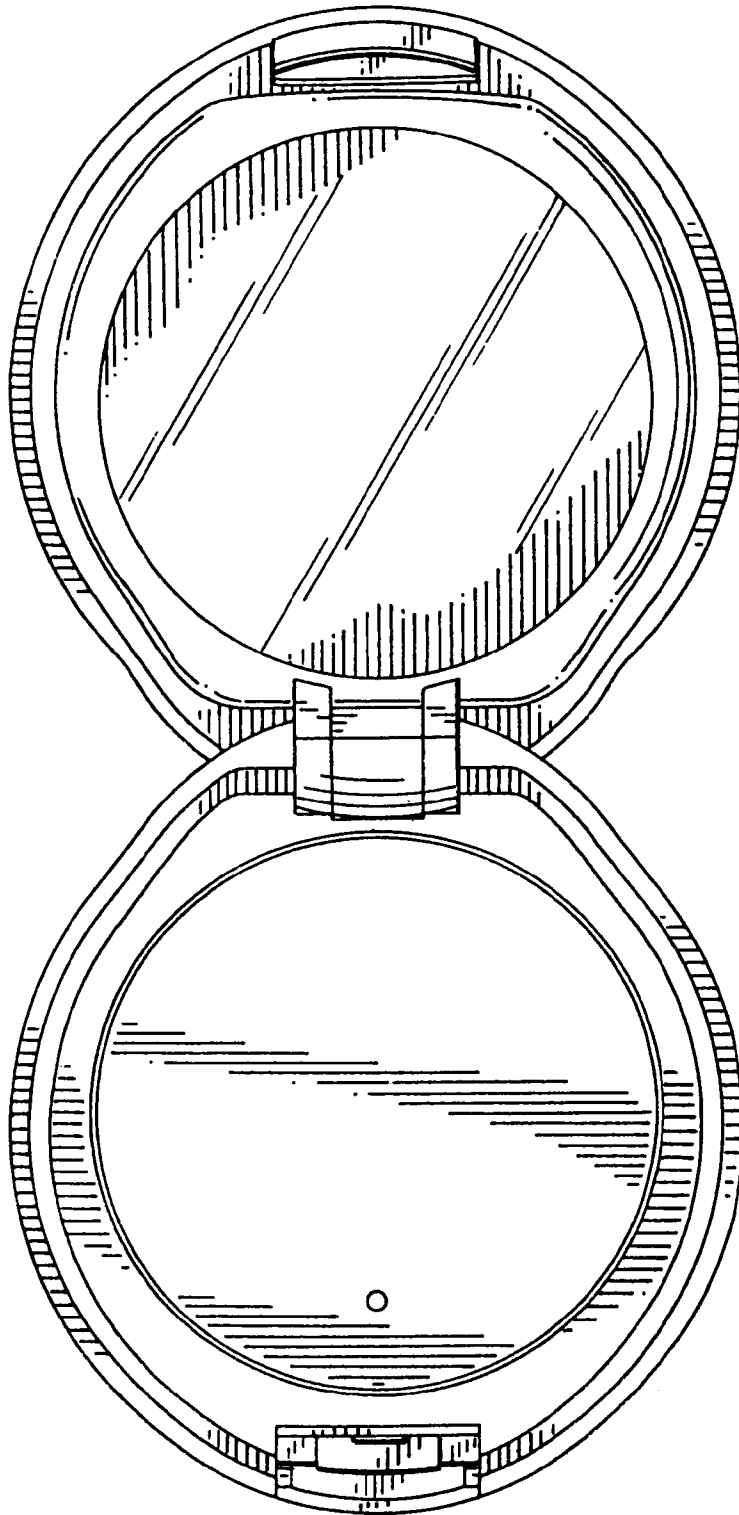


FIG. 8