

(19) World Intellectual Property Organization
International Bureau



(43) International Publication Date
10 June 2010 (10.06.2010)

(10) International Publication Number
WO 2010/065529 A3

(51) International Patent Classification:
H04L 7/04 (2006.01)

FORLAND, Jody [US/US]; 8550 Trista Lane East, St. Bonifacius, Minnesota 55375 (US).

(21) International Application Number:
PCT/US2009/066234

(74) Agent: **KENDRICK, J. Patrick**; FOGG & POWERS LLC, 5810 W. 78th Street, Suite 100, Minneapolis, Minnesota 55439 (US).

(22) International Filing Date:
1 December 2009 (01.12.2009)

(81) Designated States (unless otherwise indicated, for every kind of national protection available): AE, AG, AL, AM, AO, AT, AU, AZ, BA, BB, BG, BH, BR, BW, BY, BZ, CA, CH, CL, CN, CO, CR, CU, CZ, DE, DK, DM, DO, DZ, EC, EE, EG, ES, FI, GB, GD, GE, GH, GM, GT, HN, HR, HU, ID, IL, IN, IS, JP, KE, KG, KM, KN, KP, KR, KZ, LA, LC, LK, LR, LS, LT, LU, LY, MA, MD, ME, MG, MK, MN, MW, MX, MY, MZ, NA, NG, NI, NO, NZ, OM, PE, PG, PH, PL, PT, RO, RS, RU, SC, SD, SE, SG, SK, SL, SM, ST, SV, SY, TJ, TM, TN, TR, TT, TZ, UA, UG, US, UZ, VC, VN, ZA, ZM, ZW.

(25) Filing Language: English

(26) Publication Language: English

(30) Priority Data:
12/326,372 2 December 2008 (02.12.2008) US

(71) Applicant (for all designated States except US): **ADC TELECOMMUNICATIONS, INC.** [US/US]; 13625 Technology Drive, Eden Prairie, Minnesota 55344-2252 (US).

(72) Inventors; and

(84) Designated States (unless otherwise indicated, for every kind of regional protection available): ARIPO (BW, GH, GM, KE, LS, MW, MZ, NA, SD, SL, SZ, TZ, UG, ZM, ZW), Eurasian (AM, AZ, BY, KG, KZ, MD, RU, TJ, TM), European (AT, BE, BG, CH, CY, CZ, DE, DK, EE,

(75) Inventors/Applicants (for US only): **HEDIN, John M.** [US/US]; 1506 99th Circle, Coon Rapids, Minnesota 55433-6407 (US). **STUART, Steven B.** [US/US]; 17818 Inverness Curve, Eden Prairie, Minnesota 55347 (US).

[Continued on next page]

(54) Title: CLOCK PRIORITY CHAIN LEVEL SYSTEMS AND METHODS

(57) Abstract: Clock Priority Chain Level Systems and Methods are provided. In one embodiment, a method for determining clock priority for a multihost unit distributed antenna system is provided. The method comprises identifying which port of a plurality of ports is receiving a reference clock signal having a highest priority Network Chain Level (NCL) value, wherein the highest priority NCL value indicates a master clock priority level (MCPL) of a host unit providing a Master Clock and a chain level value indicating a chain depth; selecting a system clock reference port from the plurality of ports based on the highest priority NCL value; locking a local clock to a reference clock signal received on the selected system clock reference port; calculating an incremented NCL value based on the highest priority NCL value; and transmitting the incremented NCL value over the plurality of ports.

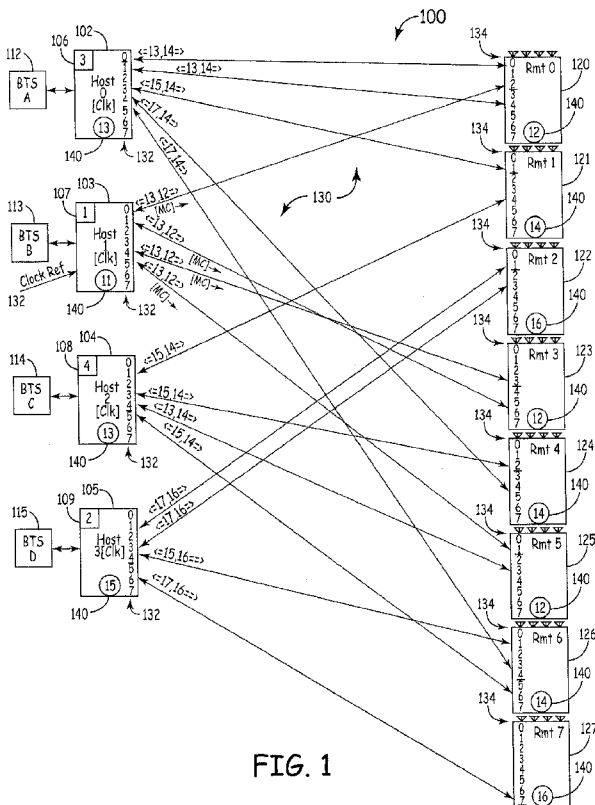


FIG. 1

WO 2010/065529 A3



ES, FI, FR, GB, GR, HR, HU, IE, IS, IT, LT, LU, LV,
MC, MK, MT, NL, NO, PL, PT, RO, SE, SI, SK, SM,
TR), OAPI (BF, BJ, CF, CG, CI, CM, GA, GN, GQ, GW,
ML, MR, NE, SN, TD, TG).

— before the expiration of the time limit for amending the
claims and to be republished in the event of receipt of
amendments (Rule 48.2(h))

Published:

— with international search report (Art. 21(3))

(88) Date of publication of the international search report:

12 August 2010

A. CLASSIFICATION OF SUBJECT MATTER**H04L 7/04(2006.01)i**

According to International Patent Classification (IPC) or to both national classification and IPC

B. FIELDS SEARCHED

Minimum documentation searched (classification system followed by classification symbols)

H04L 7/04; H04B 15/00; H04J 3/06; H04L 12/42; H04L 7/00

Documentation searched other than minimum documentation to the extent that such documents are included in the fields searched

Korean utility models and applications for utility models

Japanese utility models and applications for utility models

Electronic data base consulted during the international search (name of data base and, where practicable, search terms used)

eKOMPASS(KIPO internal) & Keywords: clock, priority, chain, level, network, netork chain level, master clock, reference clock, port

C. DOCUMENTS CONSIDERED TO BE RELEVANT

Category*	Citation of document, with indication, where appropriate, of the relevant passages	Relevant to claim No.
X	US 6341149 B1 (BERTACCHINI; LUCIEN et al.) 22 January 2002 See abstract; figure 1; column 1, line 11 - page 2, line 39	1-20
A	US 6711411 B1 (RUFFINI; STEFANO) 23 March 2004 See abstract; figure 1; column 4, line 15 - page 4, line 53	1-20
A	WO 98-35466 A2 (NOKIA TELECOMMUNICATIONS OY) 13 August 1998 See abstract; figure 3f; page 6, line 10 - page 7, line 5	1-20
A	US 2002-0169844 A1 (FRANCOIS JAMMES et al.) 14 November 2002 See abstract; figure 4; page 1, paragraph 3 - page 2, paragraph 23	1-20

 Further documents are listed in the continuation of Box C. See patent family annex.

* Special categories of cited documents:

"A" document defining the general state of the art which is not considered to be of particular relevance

"E" earlier application or patent but published on or after the international filing date

"L" document which may throw doubts on priority claim(s) or which is cited to establish the publication date of citation or other special reason (as specified)

"O" document referring to an oral disclosure, use, exhibition or other means

"P" document published prior to the international filing date but later than the priority date claimed

"T" later document published after the international filing date or priority date and not in conflict with the application but cited to understand the principle or theory underlying the invention

"X" document of particular relevance; the claimed invention cannot be considered novel or cannot be considered to involve an inventive step when the document is taken alone

"Y" document of particular relevance; the claimed invention cannot be considered to involve an inventive step when the document is combined with one or more other such documents, such combination being obvious to a person skilled in the art

"&" document member of the same patent family

Date of the actual completion of the international search

21 JUNE 2010 (21.06.2010)

Date of mailing of the international search report

22 JUNE 2010 (22.06.2010)

Name and mailing address of the ISA/KR

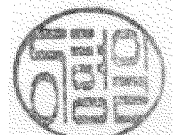
Korean Intellectual Property Office
Government Complex-Daejeon, 139 Seonsa-ro, Seo-
gu, Daejeon 302-701, Republic of Korea

Facsimile No. 82-42-472-7140

Authorized officer

Lee Hyoung Il

Telephone No. 82-42-481-8199



INTERNATIONAL SEARCH REPORT

Information on patent family members

International application No.

PCT/US2009/066234

Patent document cited in search report	Publication date	Patent family member(s)	Publication date
US 6341149 B1	22.01.2002	None	
US 6711411 B1	23.03.2004	AU 2002-12937 A1 WO 02-39630 A2	21.05.2002 16.05.2002
WO 98-35466 A2	13.08.1998	AU 5867798 A EP 0960493 A2 FI 103307 B1 FI 970576 A JP 2001-511962 A US 6317475 B1 WO 98-35466 A3	26.08.1998 01.12.1999 31.05.1999 12.08.1998 14.08.2001 13.11.2001 19.11.1998
US 2002-0169844 A1	14.11.2002	EP 1490763 A1 EP 1491006 A2 EP 1491006 B1 US 2002-0167967 A1 US 2002-0194365 A1 US 2002-167967 A1 US 7028204 B2 US 7162510 B2 WO 03-085921 A2 WO 03-088620 A1 WO 03-100611 A1	29.12.2004 29.12.2004 16.12.2009 14.11.2002 19.12.2002 14.11.2002 11.04.2006 09.01.2007 16.10.2003 23.10.2003 04.12.2003