



US00D880366S

(12) **United States Design Patent**
Shedjale et al.

(10) **Patent No.:** **US D880,366 S**

(45) **Date of Patent:** **** Apr. 7, 2020**

(54) **MOTORCYCLE**

CPC B62K 11/00; B62K 11/02; B62K 11/04;
B62K 11/10; B62K 17/00; B62K 19/00;
B62K 2202/00

(71) Applicant: **Harley-Davidson Motor Company Group, LLC**, Milwaukee, WI (US)

See application file for complete search history.

(72) Inventors: **Chetan Shedjale**, Wauwatosa, WI (US); **Frank Savage**, Fox Point, WI (US); **Brad Richards**, Grafton, WI (US); **Michael DeCaluwe**, Jackson, WI (US); **Alexander John Bozmoski**, Brookfield, WI (US); **Jeffrey Smith**, Waukesha, WI (US); **Terry Rumpel**, Waukesha, WI (US); **Brendon Smith**, Milwaukee, WI (US); **Timothy McChesney**, Kewaskum, WI (US); **Joseph Dennert**, Waukesha, WI (US); **Michael Case**, Hartland, WI (US); **Kyle Wick**, Menomonee Falls, WI (US); **Matthew Paradise**, Milwaukee, WI (US); **Jeremy Lenzendorf**, West Bend, WI (US); **Carl Hoy**, Hartford, WI (US); **Richard Bradatsch**, Menomonee Falls, WI (US); **Michael Carlin**, Sussex, WI (US); **Matthew Mueller**, Wauwatosa, WI (US); **Brent Ahlers**, Muskego, WI (US); **Anthony Senger**, New Berlin, WI (US); **Matthew Gueller**, Hartford, WI (US); **Scott Matthews**, Franklin, WI (US); **John Wolanski**, Fox Point, WI (US)

(56)

References Cited

U.S. PATENT DOCUMENTS

D383,096 S * 9/1997 Abe D12/110
D444,103 S * 6/2001 Robb D12/110
D456,748 S 5/2002 Keating et al.

(Continued)

OTHER PUBLICATIONS

Miller Marylou. "First look at the 2020 Harley-Davidson Streetfighter." Clement Cycling., Jan. 27, 2019 [online], [retrieved on Oct. 22, 2019]. Retrieved from the Internet <URL: <https://clementcycling.com/2020-harley-davidson-streetfighter/>>.*

(Continued)

Primary Examiner — Darlington Ly

(74) *Attorney, Agent, or Firm* — Foley & Lardner LLP

(57)

CLAIM

We claim the ornamental design for a motorcycle, as shown and described.

DESCRIPTION

FIG. 1 is a top, front, left perspective view of the claimed design;
FIG. 2 is a left side elevation view thereof;
FIG. 3 is a right side elevation view thereof;
FIG. 4 is a top plan view thereof;
FIG. 5 is a bottom plan view thereof;
FIG. 6 is a front elevation view thereof; and,
FIG. 7 is a rear elevation view thereof.
The broken lines in the drawings illustrate portions of the motorcycle that form no part of the claimed design.

1 Claim, 7 Drawing Sheets

(73) Assignee: **Harley-Davidson Motor Company Group, LLC**, Milwaukee, WI (US)

(**) Term: **15 Years**

(21) Appl. No.: **29/658,329**

(22) Filed: **Jul. 30, 2018**

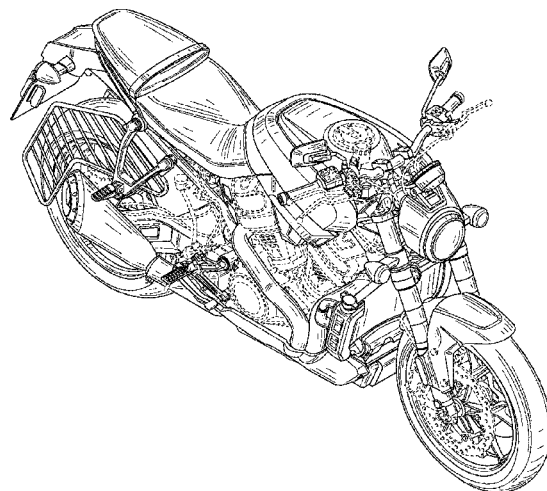
(51) **LOC (12) Cl.** **12-11**

(52) **U.S. Cl.** **D12/110**

USPC **D12/110**

(58) **Field of Classification Search**

USPC D12/110, 111, 117; D21/432, 538



(56)

References Cited

U.S. PATENT DOCUMENTS

D482,640 S 11/2003 Tamura et al.
 D504,640 S * 5/2005 Conte D12/110
 D516,468 S * 3/2006 Kuboshima D12/110
 D517,957 S * 3/2006 Savage D12/110
 D525,919 S 8/2006 Sugimoto
 D543,905 S * 6/2007 Domergue D12/110
 D544,816 S * 6/2007 Davidson D12/110
 D582,318 S * 12/2008 Kishi D12/110
 D610,044 S 2/2010 Sugimoto
 D723,979 S * 3/2015 Yu D12/110
 D753,024 S 4/2016 Futamata et al.
 D753,552 S * 4/2016 McGinley D12/110
 D755,682 S 5/2016 Hahn-Woernle
 D758,925 S 6/2016 Tamura
 D766,135 S 9/2016 Davidson et al.
 D774,964 S * 12/2016 Akashi D12/110
 D776,013 S * 1/2017 Kiska D12/110
 D776,575 S * 1/2017 Kiska D12/110
 9,694,870 B2 * 7/2017 Kawai B62K 25/04

D793,285 S * 8/2017 Toyama D12/110
 D796,384 S * 9/2017 Galluzzi D12/110
 D796,385 S * 9/2017 Galluzzi D12/110
 D805,439 S 12/2017 Hohdorf
 9,855,937 B2 * 1/2018 Ishii B62L 3/023
 D811,945 S 3/2018 Laliberte
 2014/0291051 A1 * 10/2014 Yoshida F01P 5/06
 180/229

OTHER PUBLICATIONS

Cope, Chris, "Everything We Know About the Harley-Davidson Pan America 1250", The Motorcycle Obsession, Jul. 31, 2018, <https://themotorcycleobsession.com/2018/07/31/everything-we-know-about-the-harley-davidson-pan-america-1250/>, 10 pages.
 Waheed, Adam, "The New Sportster? 2020 Harley-Davidson 1,250cc Custom Preview", Motorcyclist, Jul. 30, 2018, <https://www.motorcyclistonline.com/new-sportster-2020-harley-davidson-1250cc-custom-preview/>, 3 pages.

* cited by examiner

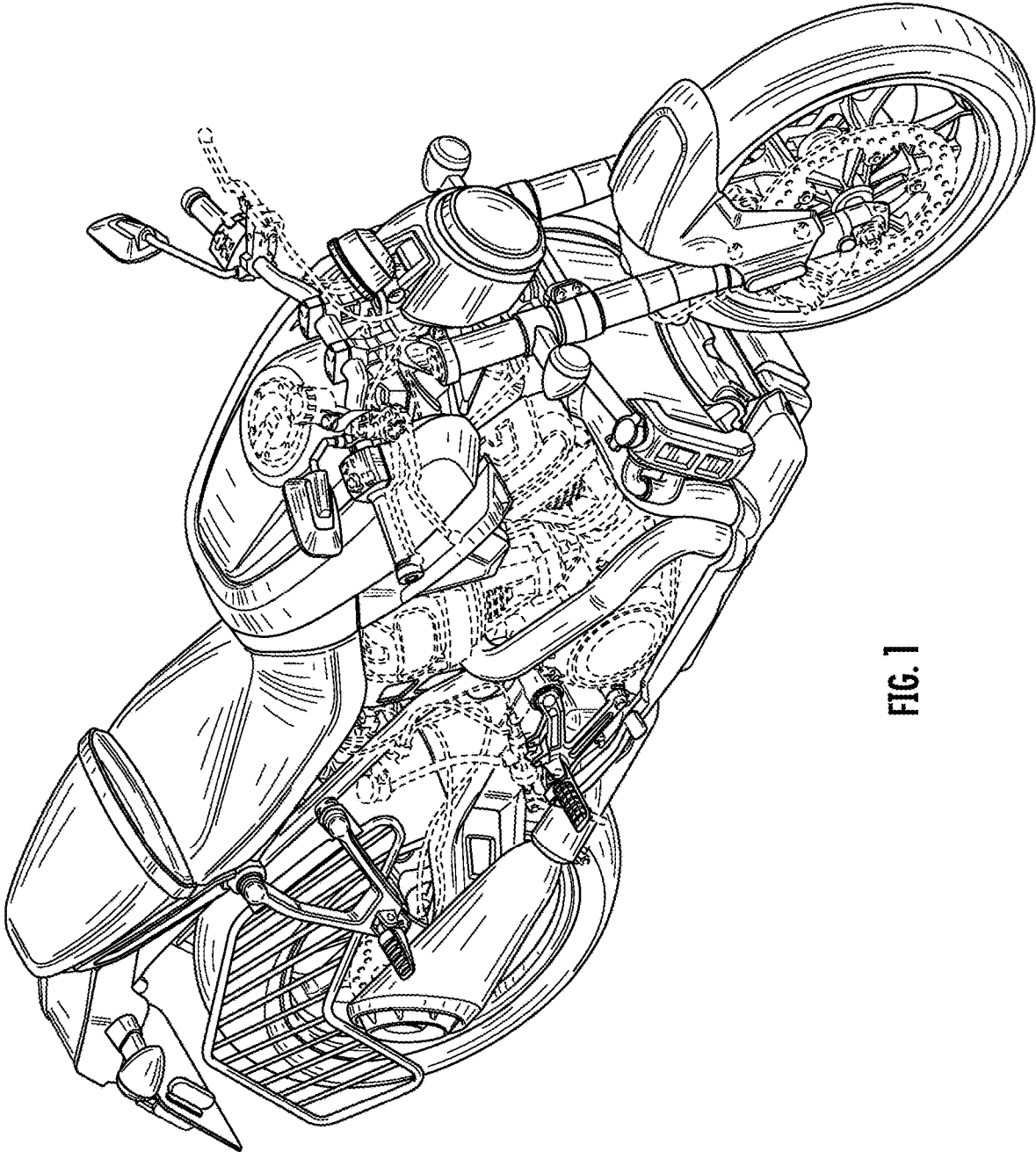


FIG. 1

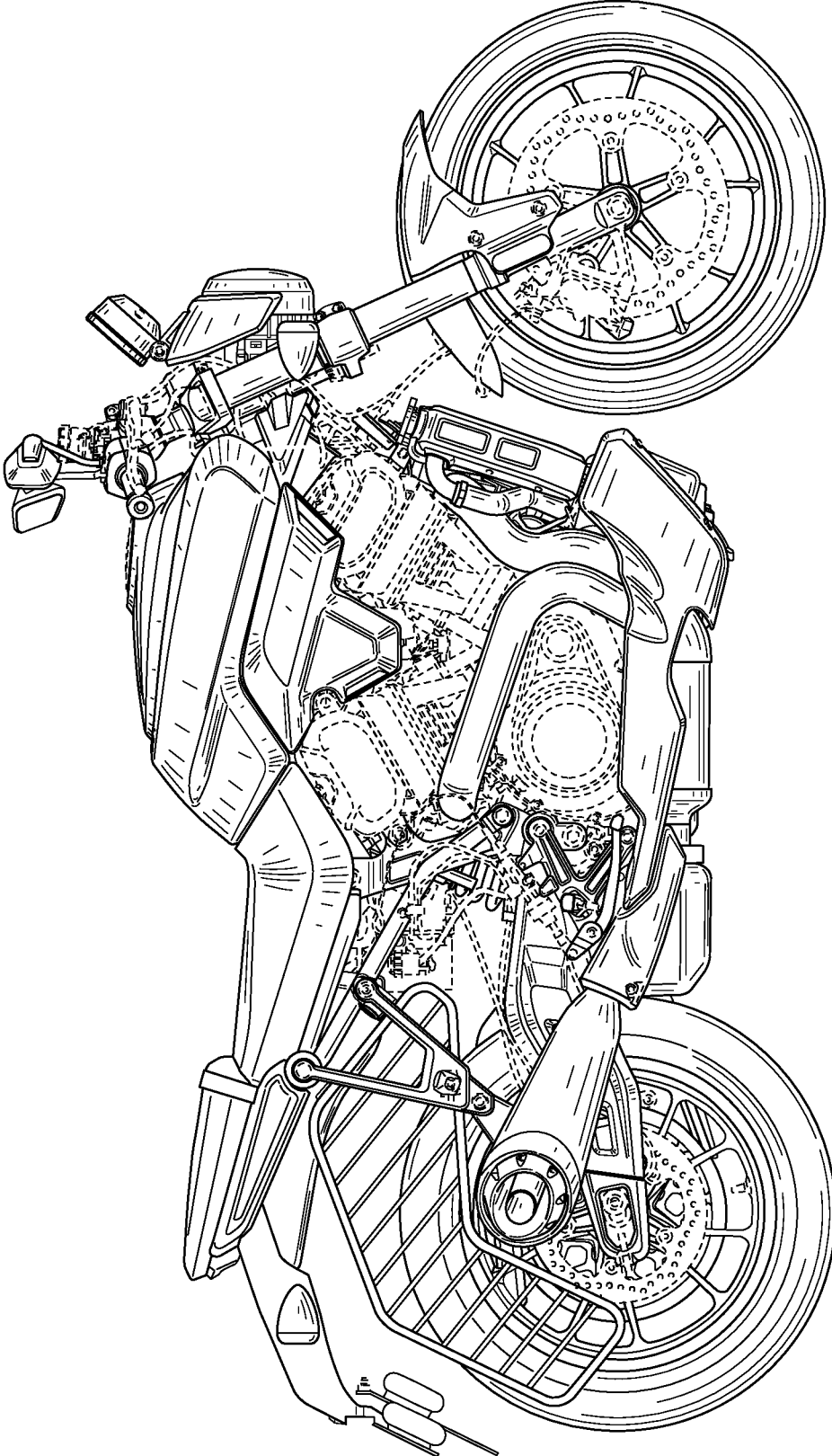


FIG. 2

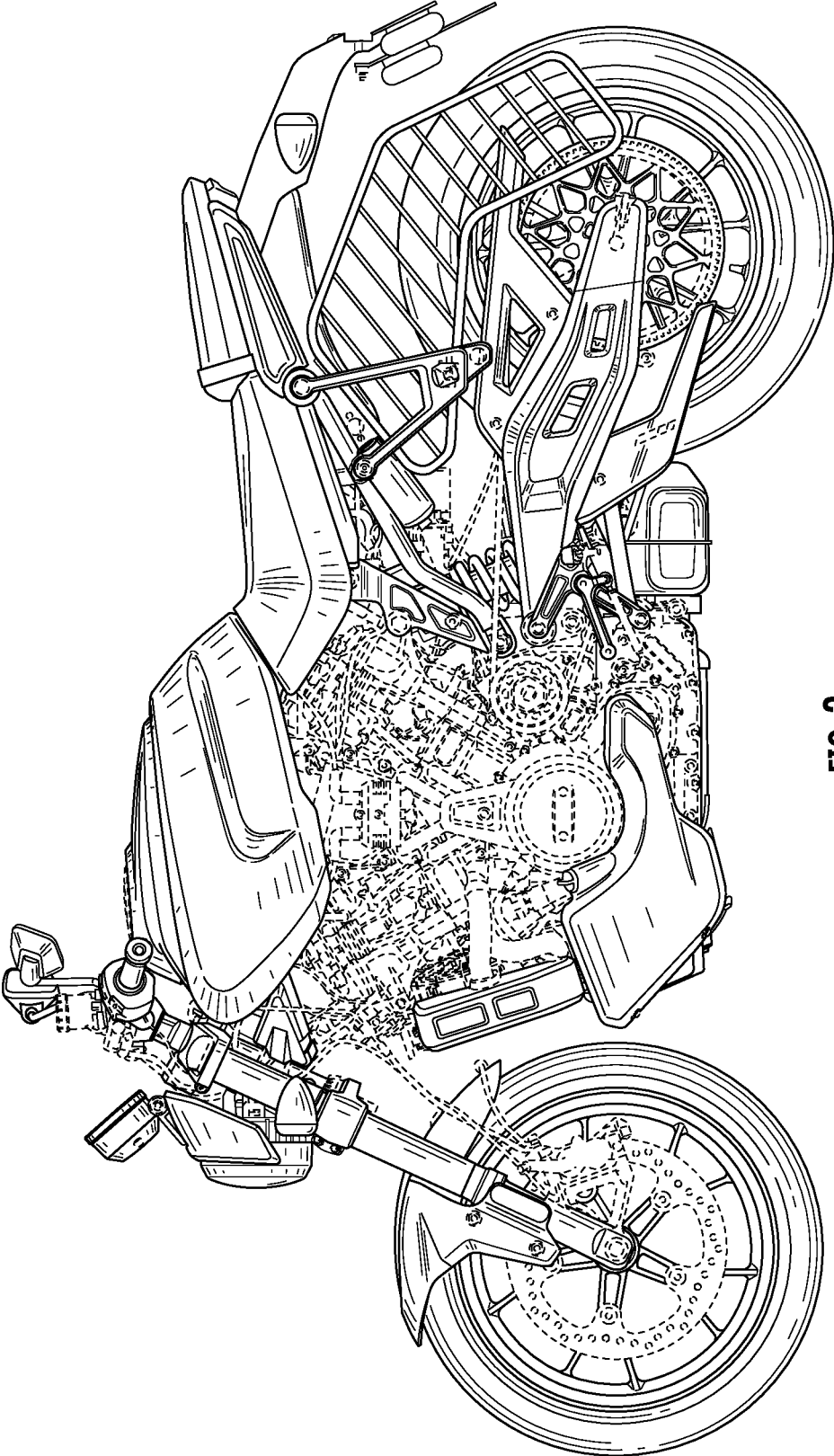


FIG. 3

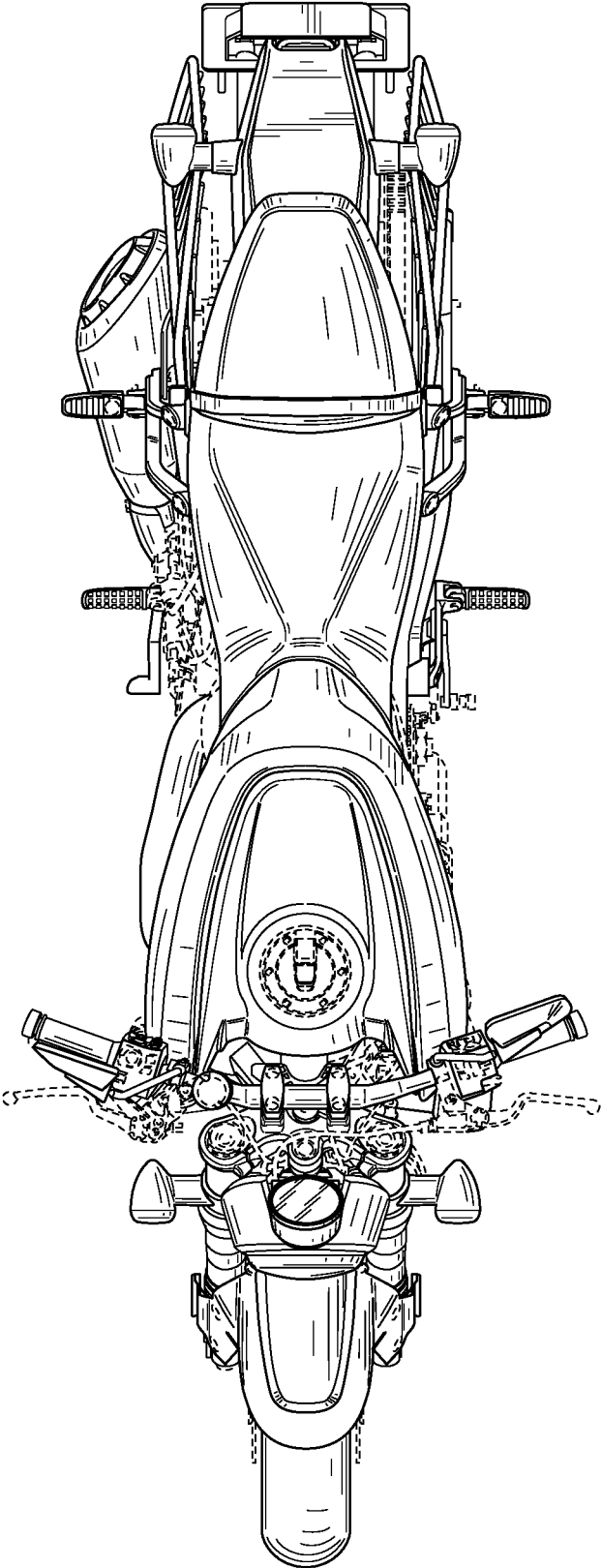


FIG. 4

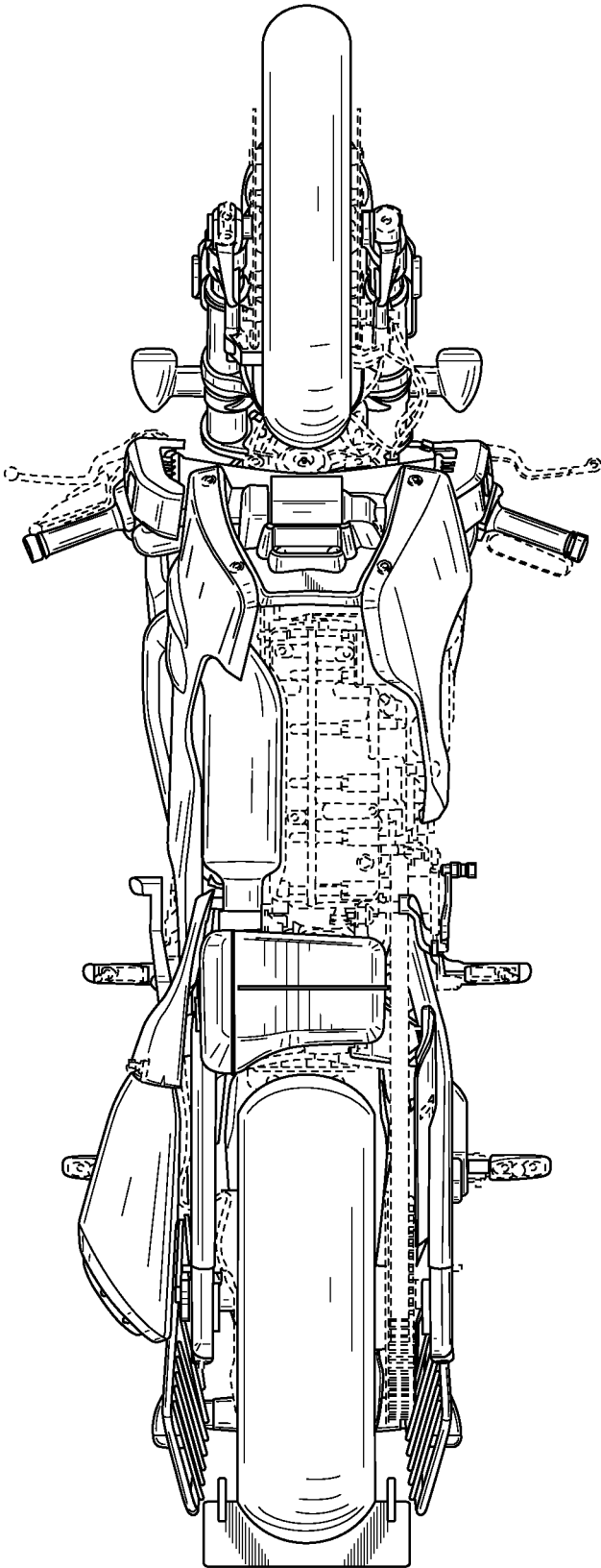


FIG. 5

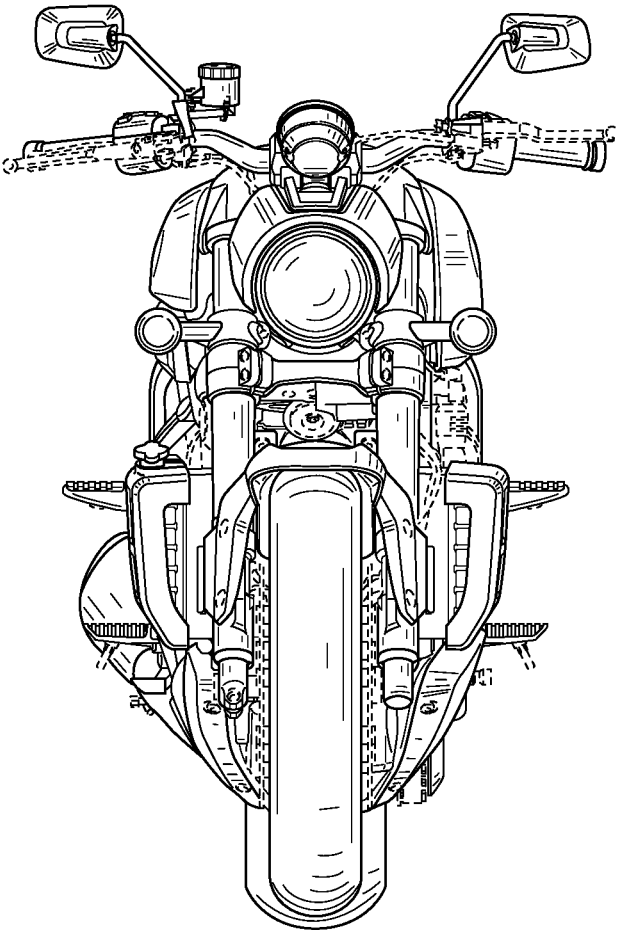


FIG. 6

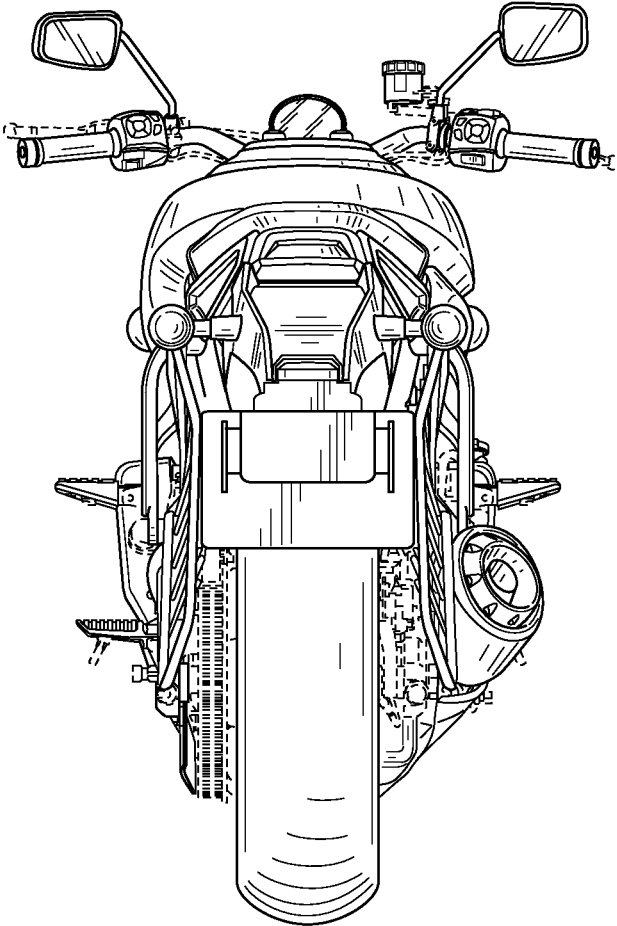


FIG. 7