

CORRECTED VERSION

(19) World Intellectual Property Organization  
International Bureau

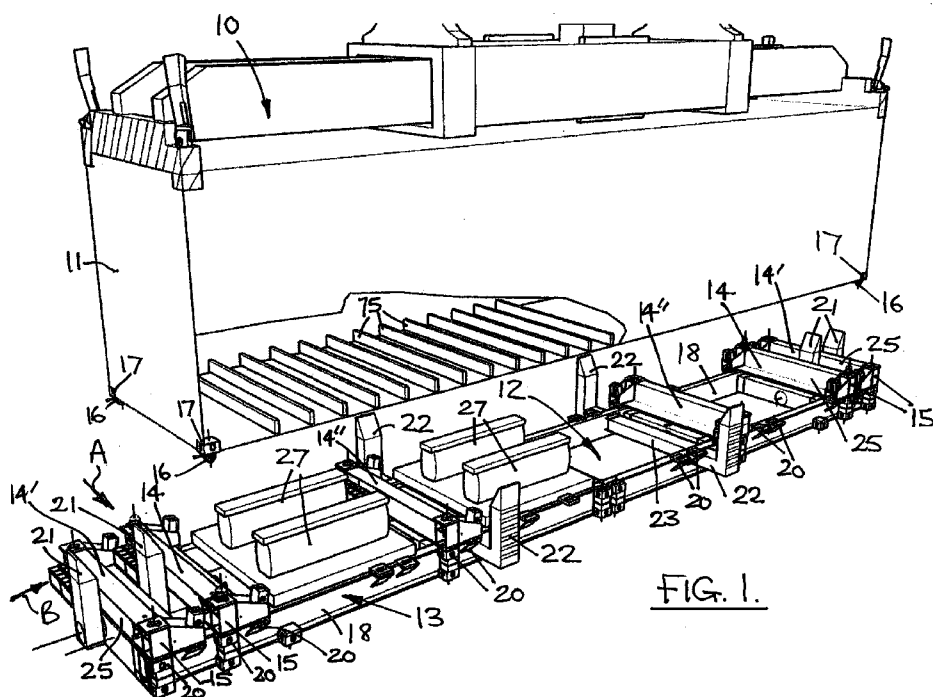


(10) International Publication Number  
**WO 2020/165553 A8**

(43) International Publication Date  
20 August 2020 (20.08.2020)

- (51) International Patent Classification:  
B66C 1/10 (2006.01) B65D 88/12 (2006.01)  
B66C 15/00 (2006.01) B65D 90/00 (2006.01)
- (21) International Application Number:  
PCT/GB2020/000014
- (22) International Filing Date:  
11 February 2020 (11.02.2020)
- (25) Filing Language: English
- (26) Publication Language: English
- (30) Priority Data:  
1902005.6 13 February 2019 (13.02.2019) GB  
PCT/GB2019/000067  
08 May 2019 (08.05.2019) GB  
1915555.5 25 October 2019 (25.10.2019) GB
- (71) Applicant: **BLOK CONTAINER SYSTEMS LIMITED**  
[GB/GB]; 5 Corunna Court, Corunna Road, Warwick CV34 5HQ (GB).
- (72) Inventors: **CLIVE-SMITH, Martin**; Wootton Paddox, Leek Wootton, Warwickshire CV35 7QX (GB).  
**REYNOLDS, Edward Henry**; Willow Farm, 102 Harrowden Road, Orlingbury, Wellingborough, Northants NN9 5AH (GB).  
**CLIVE-SMITH, James**; Wootton Paddox, Leek Wootton, Warwickshire CV35 7QX (GB).
- (74) Agent: **MORRALL, Roger**; RM Patent Services, Twin Oaks, 88 Howes Lane, Finham, Coventry CV3 6PJ (GB).
- (81) Designated States (unless otherwise indicated, for every kind of national protection available): AE, AG, AL, AM, AO, AT, AU, AZ, BA, BB, BG, BH, BN, BR, BW, BY, BZ, CA, CH, CL, CN, CO, CR, CU, CZ, DE, DJ, DK, DM, DO,

(54) Title: RIG, CORNER UNIT



(57) Abstract: A rig for connecting or disconnecting container couplers to or from the four lower corner fittings of a shipping container, the rig has two pairs of corner units held in the required transverse special relationship by a structure extending between the two corner units of each pair to form two operating end modules. A base member has sockets and/or other connectors to secure the operating end modules in a plurality of longitudinal special relationships to enable the corner units of the modules to simultaneously engage all the four lower corner fittings of a range of containers of different lengths or using different types of couplers. Each corner unit includes an indexing means for engaging and manipulating an associated coupling to connect or disconnect the coupling to or from its associated container corner fitting.



WO 2020/165553 A8

DZ, EC, EE, EG, ES, FI, GB, GD, GE, GH, GM, GT, HN, HR, HU, ID, IL, IN, IR, IS, JO, JP, KE, KG, KH, KN, KP, KR, KW, KZ, LA, LC, LK, LR, LS, LU, LY, MA, MD, ME, MG, MK, MN, MW, MX, MY, MZ, NA, NG, NI, NO, NZ, OM, PA, PE, PG, PH, PL, PT, QA, RO, RS, RU, RW, SA, SC, SD, SE, SG, SK, SL, ST, SV, SY, TH, TJ, TM, TN, TR, TT, TZ, UA, UG, US, UZ, VC, VN, WS, ZA, ZM, ZW.

- (84) Designated States** (*unless otherwise indicated, for every kind of regional protection available*): ARIPO (BW, GH, GM, KE, LR, LS, MW, MZ, NA, RW, SD, SL, ST, SZ, TZ, UG, ZM, ZW), Eurasian (AM, AZ, BY, KG, KZ, RU, TJ, TM), European (AL, AT, BE, BG, CH, CY, CZ, DE, DK, EE, ES, FI, FR, GB, GR, HR, HU, IE, IS, IT, LT, LU, LV, MC, MK, MT, NL, NO, PL, PT, RO, RS, SE, SI, SK, SM, TR), OAPI (BF, BJ, CF, CG, CI, CM, GA, GN, GQ, GW, KM, ML, MR, NE, SN, TD, TG).

**Published:**

— *with international search report (Art. 21(3))*

**(48) Date of publication of this corrected version:**

05 August 2021 (05.08.2021)

**(15) Information about Correction:**

see Notice of 05 August 2021 (05.08.2021)