



US00D534945S

(12) **United States Design Patent** (10) **Patent No.:** **US D534,945 S**
Bai (45) **Date of Patent:** **** Jan. 9, 2007**

(54) **SHREDDER**
(76) Inventor: **Shuhui Bai**, 23, Daili West District,
Putou Village, Dongshi Town, Jinjiang
City, Fujian Pro (CN)
(**) Term: **14 Years**
(21) Appl. No.: **29/231,649**
(22) Filed: **Jun. 8, 2005**
(51) **LOC (8) Cl.** **18-04**
(52) **U.S. Cl.** **D18/34.4; D18/34.5**
(58) **Field of Classification Search** D18/34.1-34.9,
D18/99, 50; 83/167, 289, 302, 203, 523,
83/633; 241/169.1, 36, 154, 157, 222, 224,
241/168, 284, 295, 37.5, 100, 236; 385/13;
D8/99; D7/381, 383
See application file for complete search history.

| | | |
|----|---------|---------|
| CN | 3397934 | 10/2004 |
| CN | 3420172 | 1/2005 |
| CN | 3421634 | 1/2005 |
| CN | 2678767 | 2/2005 |
| CN | 2678769 | 2/2005 |
| CN | 3426563 | 2/2005 |
| CN | 2684930 | 3/2005 |
| CN | 2684931 | 3/2005 |
| CN | 3429861 | 3/2005 |
| CN | 3431502 | 3/2005 |
| CN | 3434332 | 3/2005 |
| CN | 3434333 | 3/2005 |
| CN | 3436018 | 3/2005 |
| CN | 3436019 | 3/2005 |
| CN | 2372104 | 4/2005 |
| CN | 2372283 | 4/2005 |
| CN | 3446250 | 5/2005 |
| CN | 2383583 | 6/2005 |
| CN | 3457322 | 6/2005 |
| CN | 3457323 | 6/2005 |
| CN | 3457325 | 6/2005 |
| CN | 2709007 | 7/2005 |
| CN | 3460796 | 7/2005 |

(56) **References Cited**
U.S. PATENT DOCUMENTS
D410,246 S * 5/1999 Holderfield D18/34.6
D410,946 S * 6/1999 Holderfield D18/34.5
D437,343 S 2/2001 Ho
D446,543 S * 8/2001 Ho D18/34.6

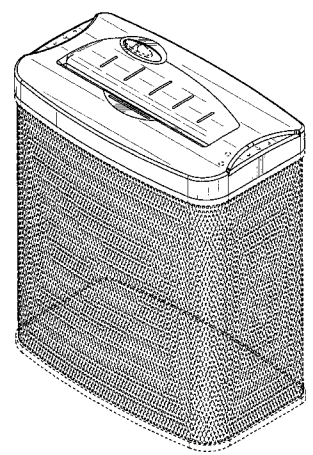
Primary Examiner—Charles A. Rademaker
(74) *Attorney, Agent, or Firm*—Garcia-Zamor IP Law; Ruy M. Garcia-Zamor

(57) **CLAIM**
The ornamental design for a shredder, as shown and described.

(Continued)
FOREIGN PATENT DOCUMENTS
CN 3143129 3/2000
CN 3149643 5/2000
CN 3162622 10/2000
CN 2438503 7/2001
CN 3200986 9/2001
CN 2467179 12/2001
CN 3216733 1/2002
CN 3221915 2/2002
CN 3229342 3/2002
CN 2541049 6/2003
CN 2604251 2/2004
CN 2636985 9/2004
CN 2638840 9/2004
CN 3391961 9/2004
CN 3393336 9/2004

DESCRIPTION
FIG. 1 is a perspective view of a shredder showing my new design;
FIG. 2 is a front elevation thereof;
FIG. 3 is a right side elevation thereof;
FIG. 4 is a rear elevation thereof;
FIG. 5 is a left side elevation thereof;
FIG. 6 is a top plan view thereof; and,
FIG. 7 is a bottom plan view thereof.
The broken line showing of environment in the figure drawings is for illustrative purposes only and forms no part of the claimed design.

1 Claim, 6 Drawing Sheets



US D534,945 S

Page 2

U.S. PATENT DOCUMENTS

| | | | | | | | | | | | | |
|-----------|----|---------|--------|----------|----------|-----------|----|---------|---------|-------|----------|----------|
| D449,850 | S | 10/2001 | Ho | | D498,252 | S | * | 11/2004 | Lo | | D18/34.6 | |
| D454,907 | S | * | 3/2002 | Ho | | D498,253 | S | * | 11/2004 | Lo | | D18/34.6 |
| D455,170 | S | | 4/2002 | Ho | | D502,729 | S | * | 3/2005 | Lo | | D18/34.5 |
| D455,171 | S | * | 4/2002 | Ho | | D502,960 | S | * | 3/2005 | Lo | | D18/34.5 |
| 6,390,398 | B1 | * | 5/2002 | Wu Huang | | D502,961 | S | * | 3/2005 | Lo | | D18/34.6 |
| 6,513,740 | B1 | | 2/2003 | Ho | | 6,964,386 | B1 | * | 11/2005 | Ho | | 241/236 |
| 6,588,616 | B1 | | 7/2003 | Ho | | D514,160 | S | * | 1/2006 | Lo | | D18/34.6 |

* cited by examiner

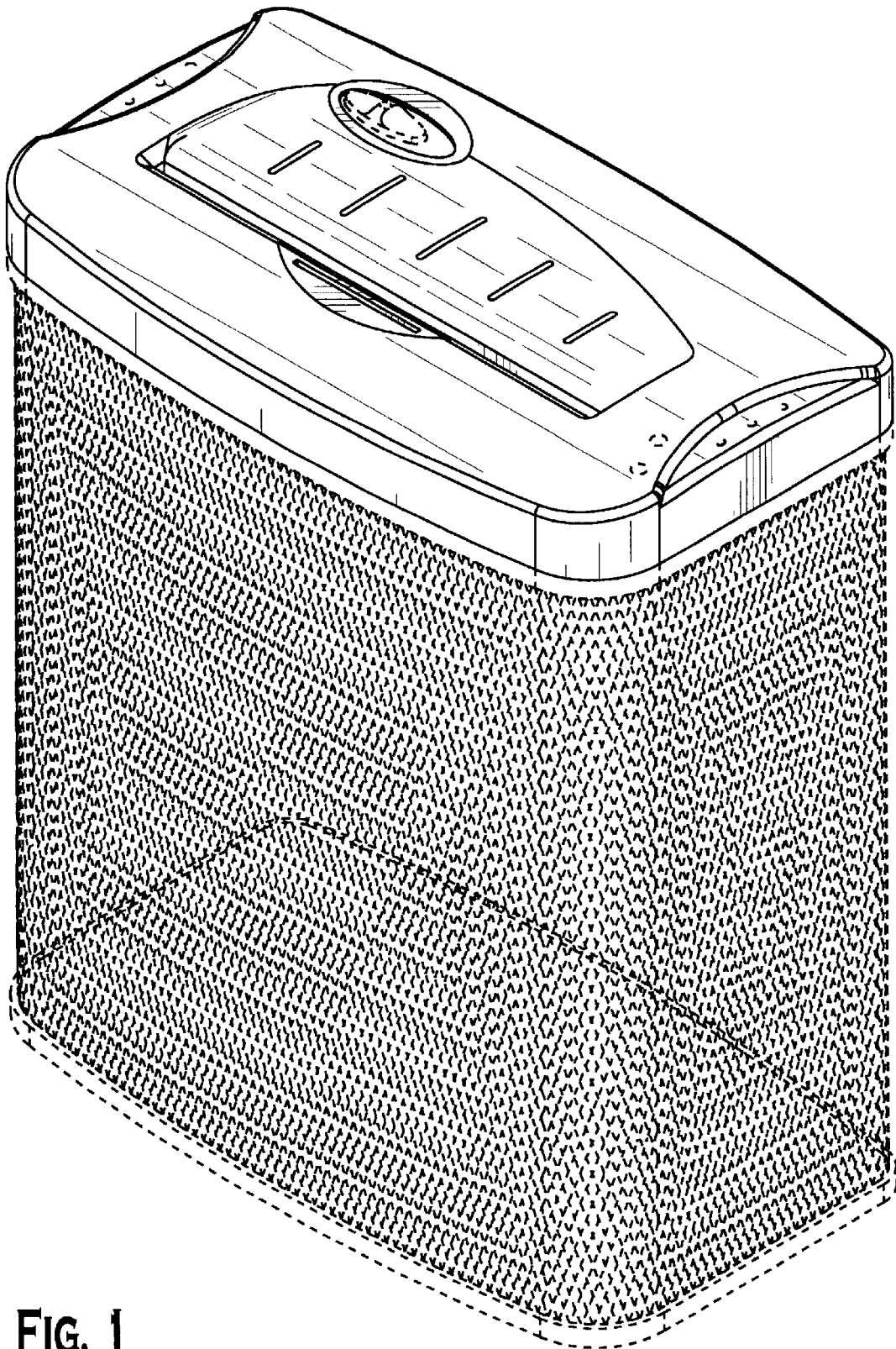


FIG. 1

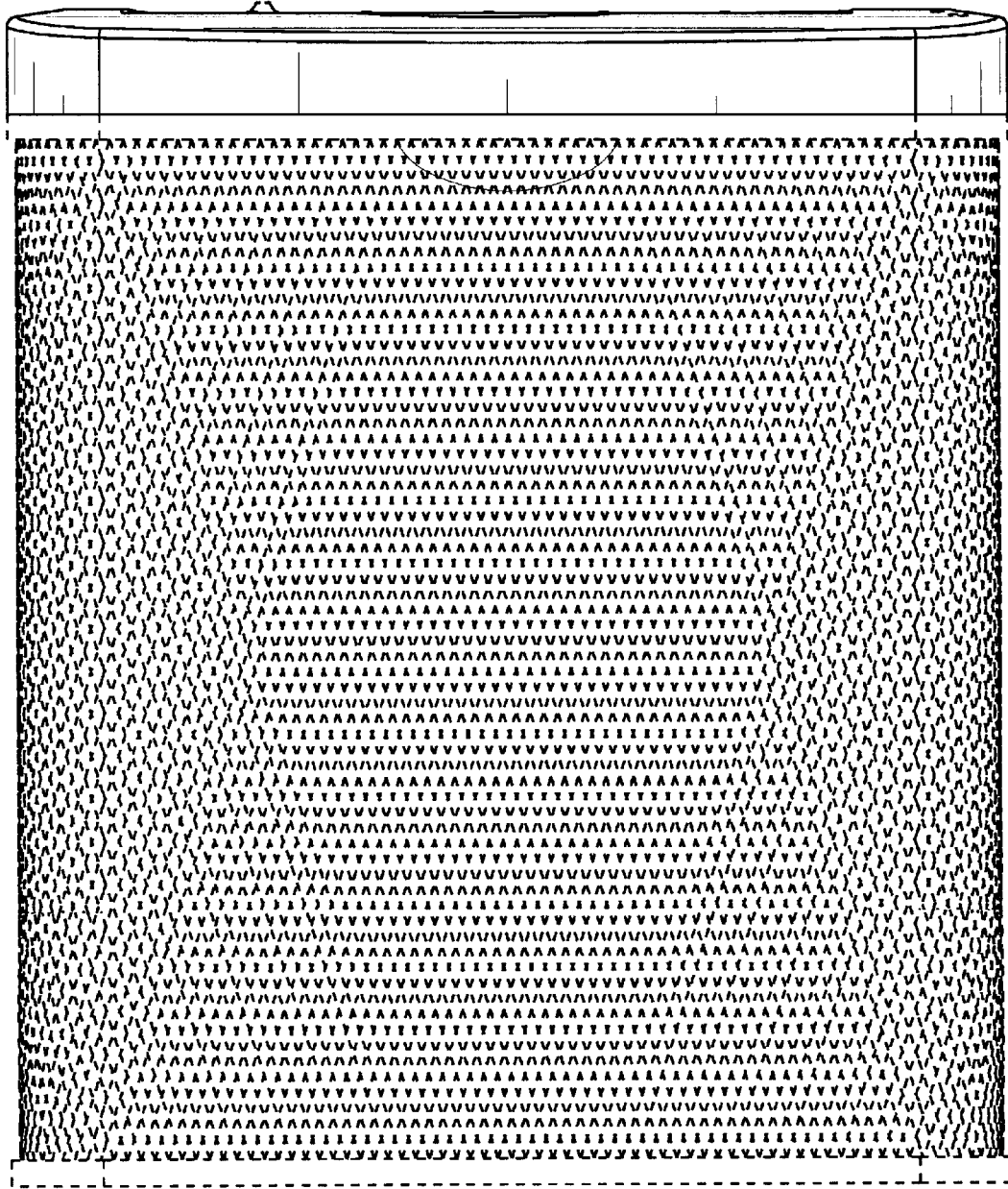


FIG. 2

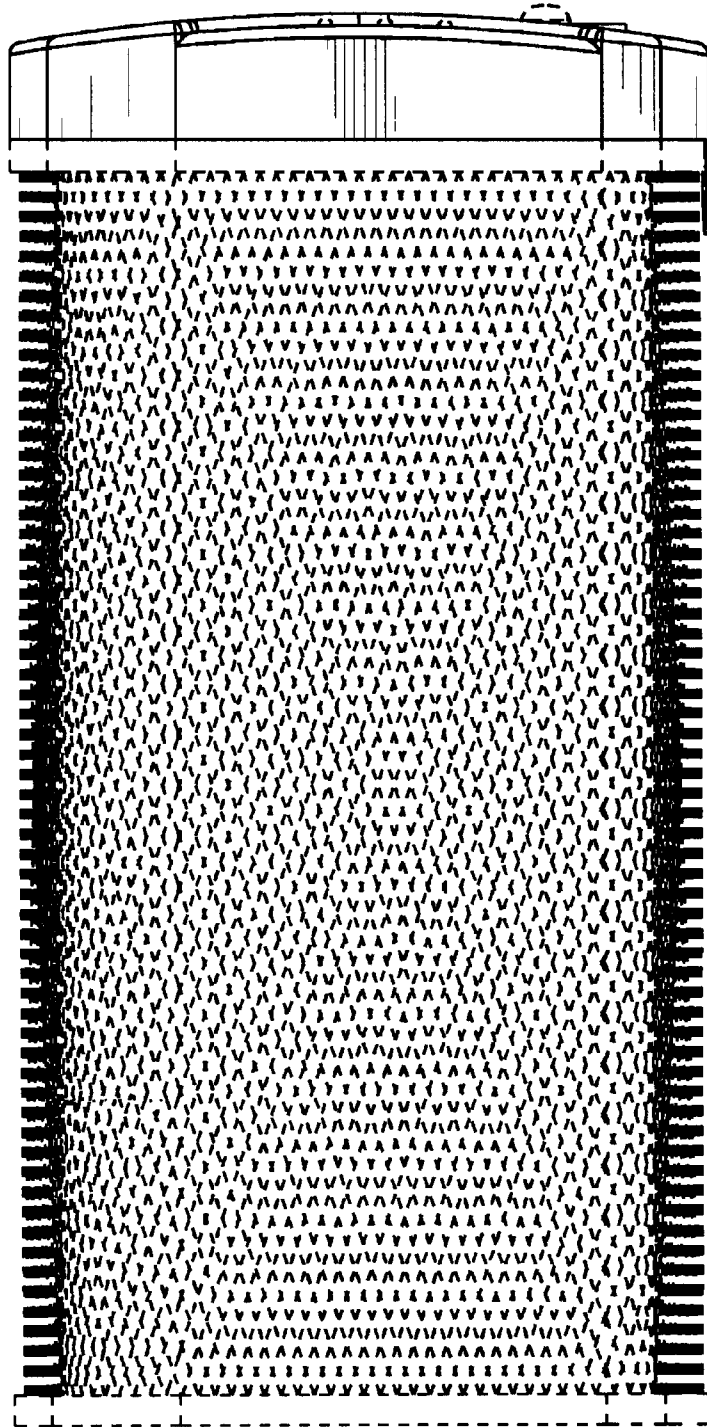


FIG. 3

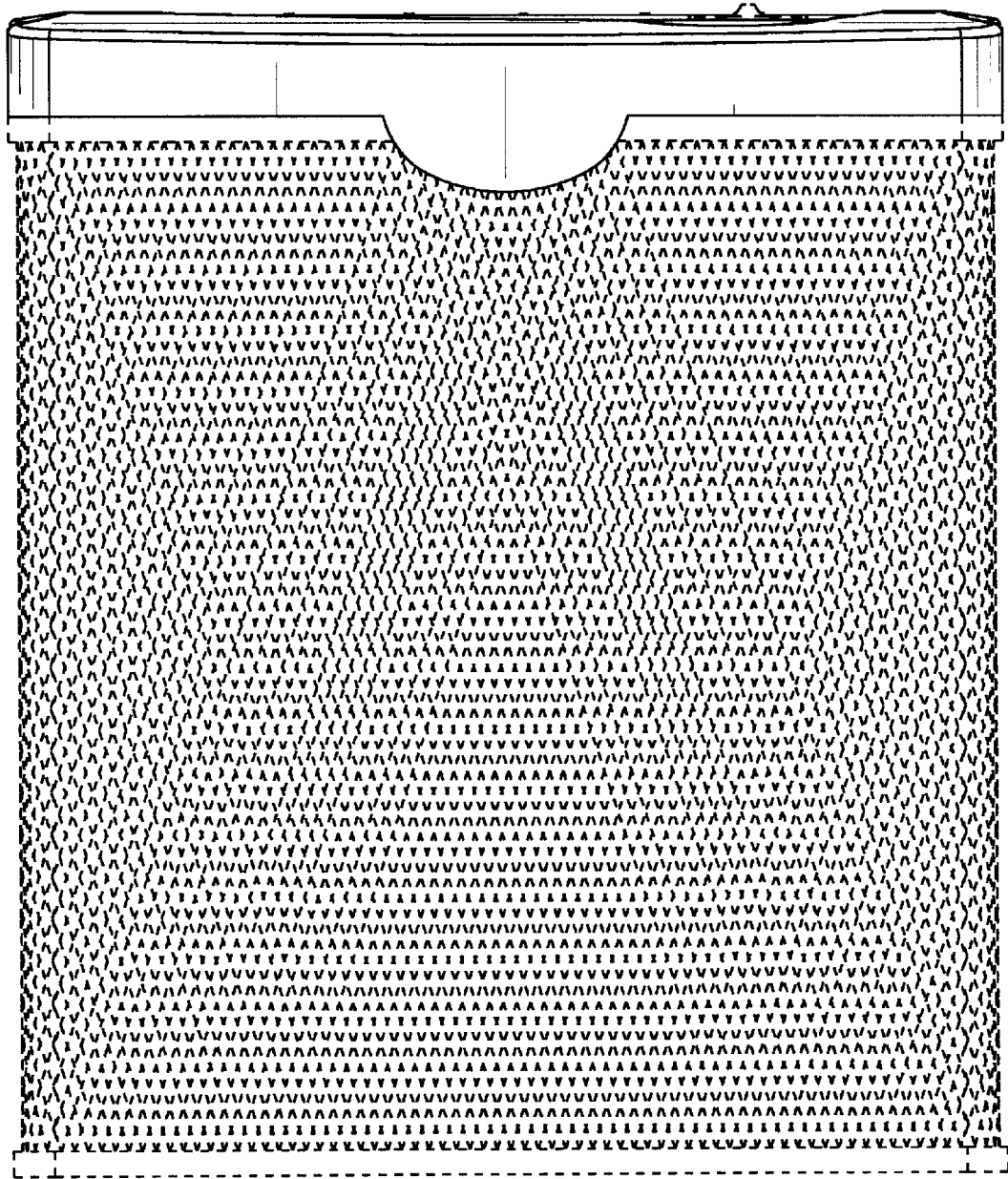


FIG. 4

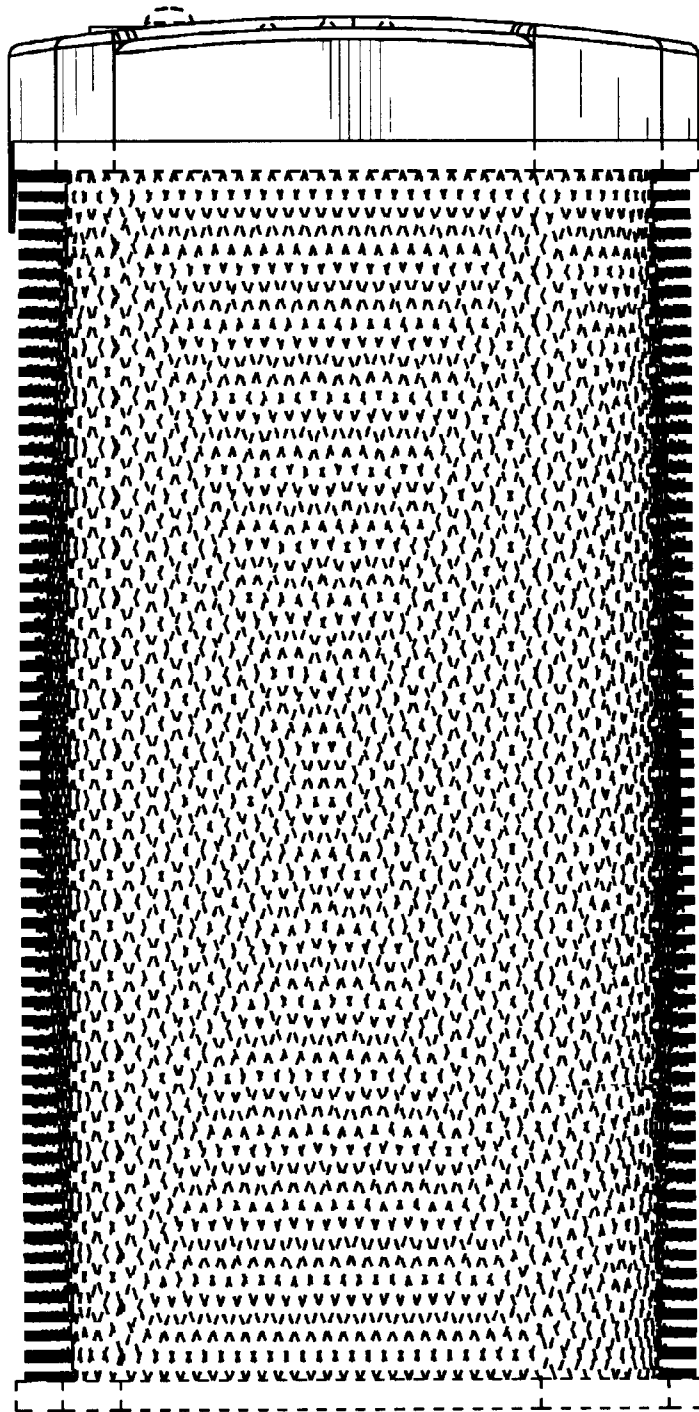


FIG. 5

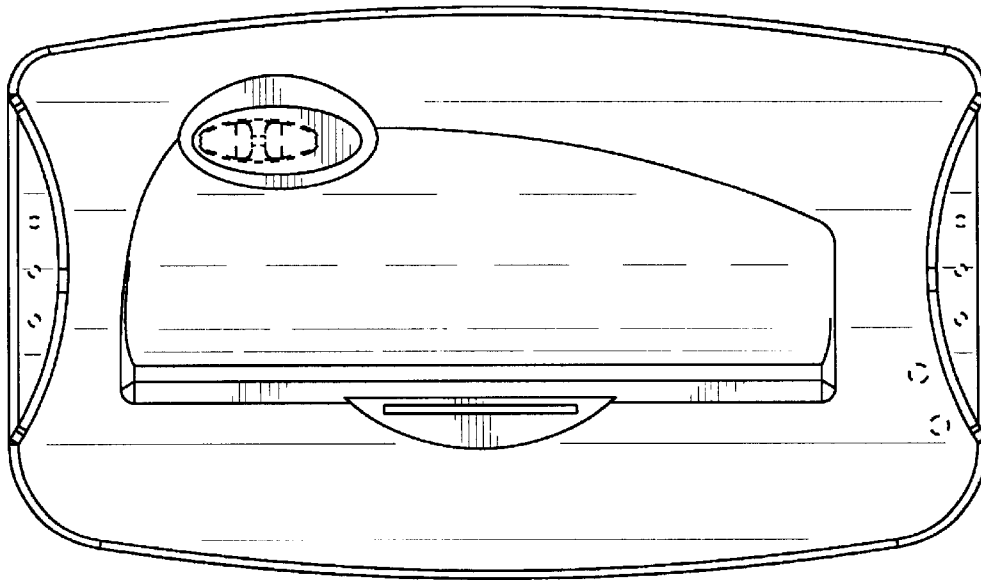


FIG. 6

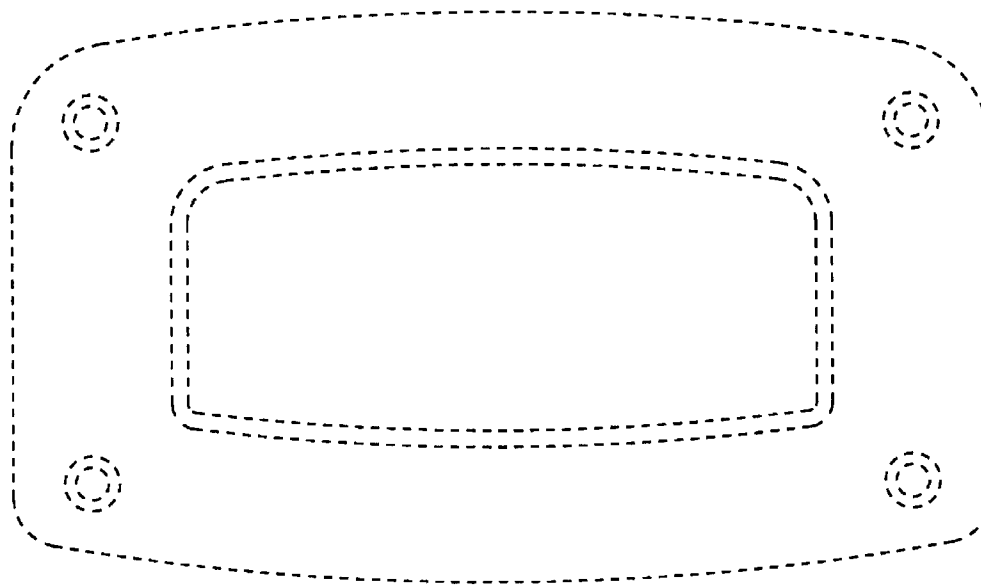


FIG. 7