



US00D349732S

United States Patent [19]

[11] Patent Number: **Des. 349,732**

Bogaards

[45] Date of Patent: **** Aug. 16, 1994**

[54] **ADVERTISING SIGNHOLDER FOR TROLLEYS**

4,449,167 5/1984 Cohen 40/593

[76] Inventor: **Petrus M. Bogaards**, 33, Pinaskade, NL-2725, En Zoetermeer, Netherlands

FOREIGN PATENT DOCUMENTS

3717901A1 10/1987 Fed. Rep. of Germany .
576887 6/1976 Switzerland .

[**] Term: **14 Years**

Primary Examiner—Wallace R. Burke
Assistant Examiner—M. Jackson
Attorney, Agent, or Firm—Fish & Richardson

[21] Appl. No.: **10,872**

[57] CLAIM

[22] Filed: **Jul. 21, 1993**

The ornamental design for an advertising signholder for trolleys, as shown and described.

[52] U.S. Cl. **D20/40**

[58] Field of Search 40/124, 124.1, 124.2, 40/124.4, 152, 152.1, 308, 333, 334, 642, 644, 649, 591, 592, 593; D20/10, 18, 19, 20, 39, 40, 41, 42

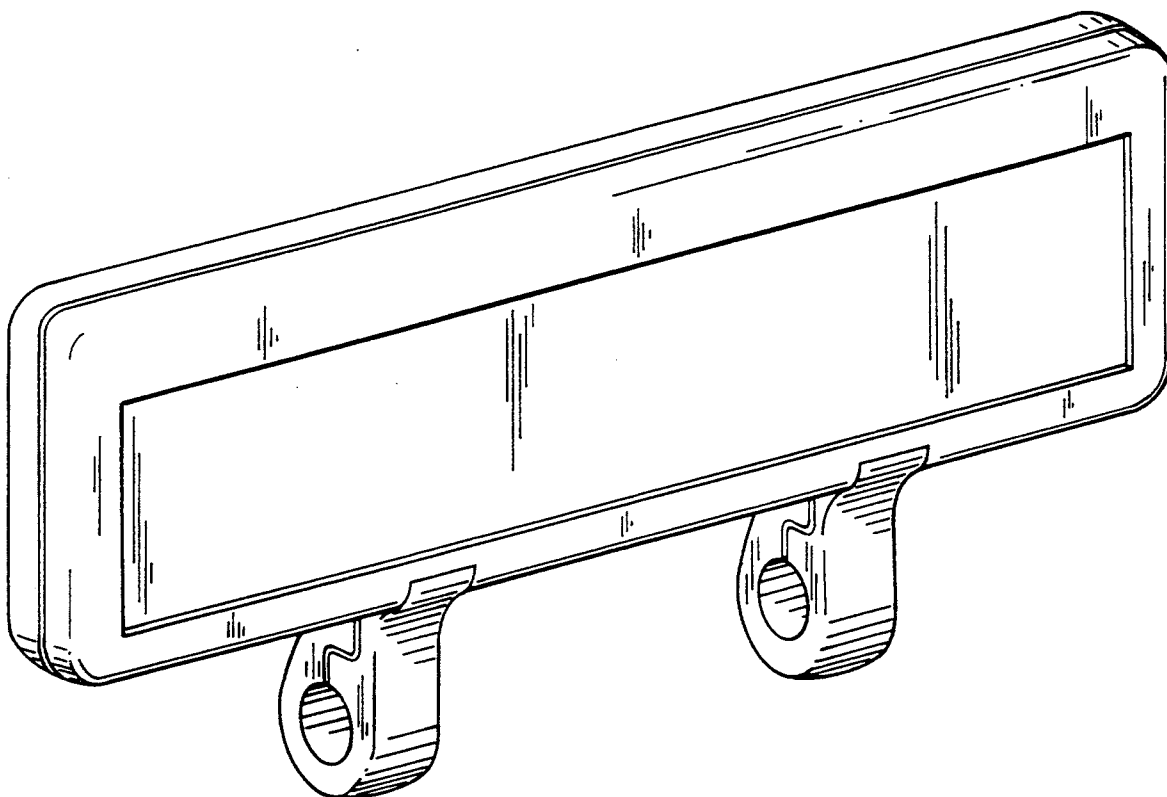
DESCRIPTION

[56] References Cited

U.S. PATENT DOCUMENTS

D. 269,979 8/1983 Pakula D20/42
D. 280,745 9/1985 Cobb D20/42
3,988,845 11/1976 Boatman 40/542
3,992,872 11/1976 Stanish 40/545

FIG. 1 is a perspective view of the embodiment of an advertising signholder for trolleys of the invention; FIG. 2 is a top view of the embodiment of FIG. 1; FIG. 3 is a bottom view of the embodiment of FIG. 1; FIG. 4 is a side view of the embodiment of FIG. 1; FIG. 5 is the other side view of the embodiment of FIG. 1; FIG. 6 is a front view of the embodiment of FIG. 1; and, FIG. 7 is a rear view of the embodiment of FIG. 1.



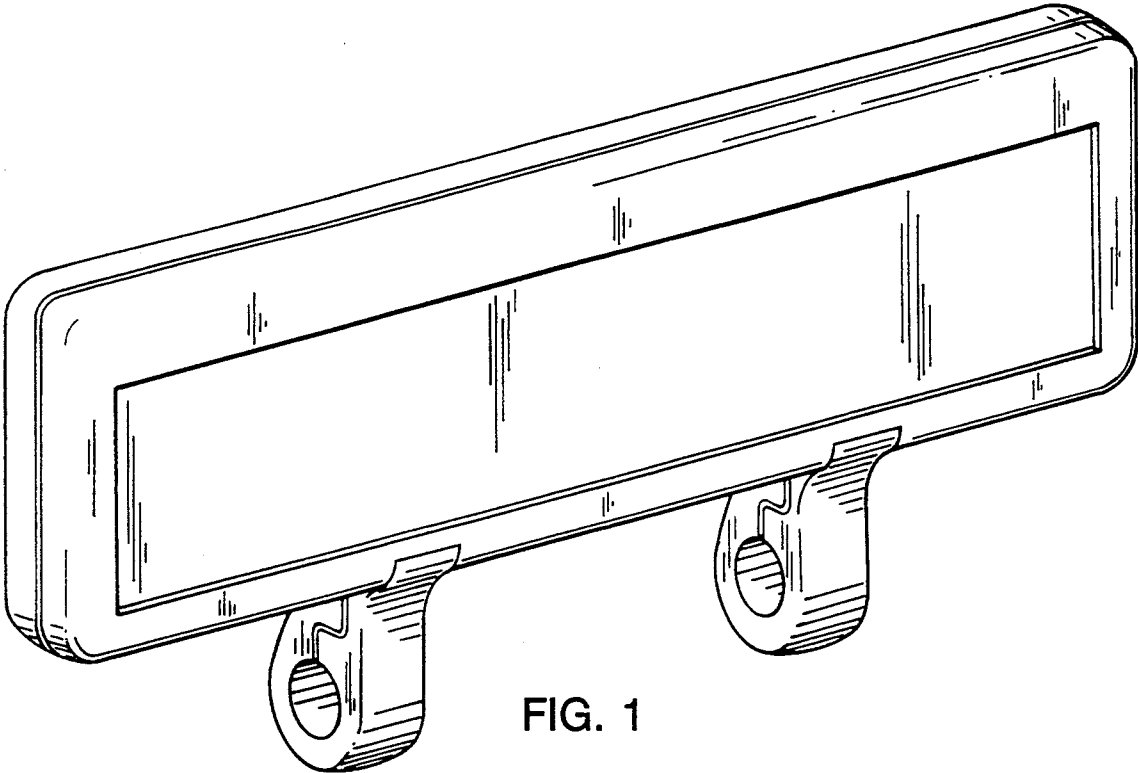


FIG. 1

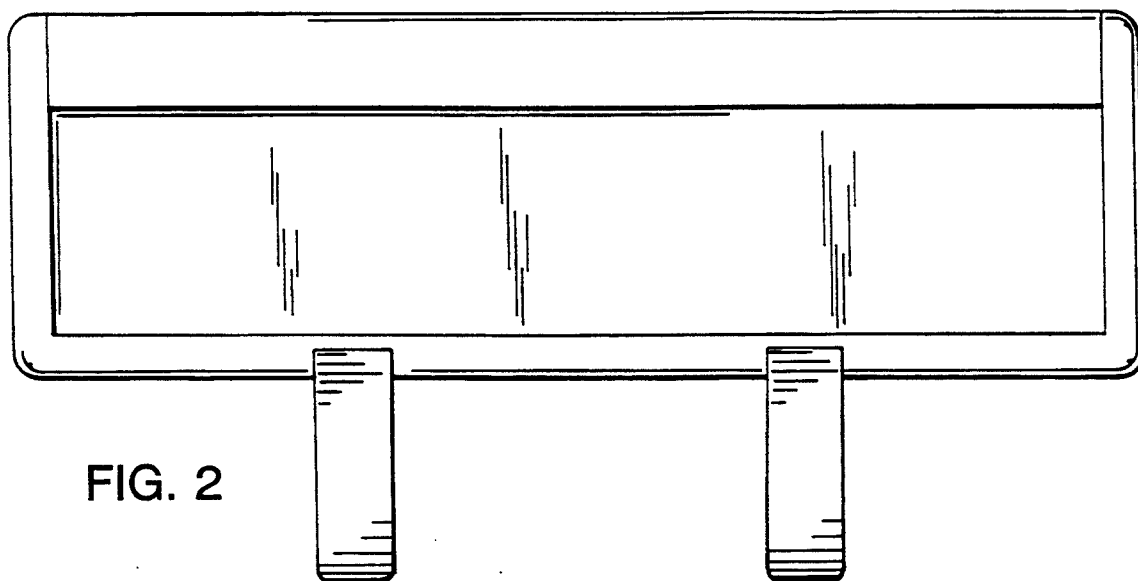


FIG. 2

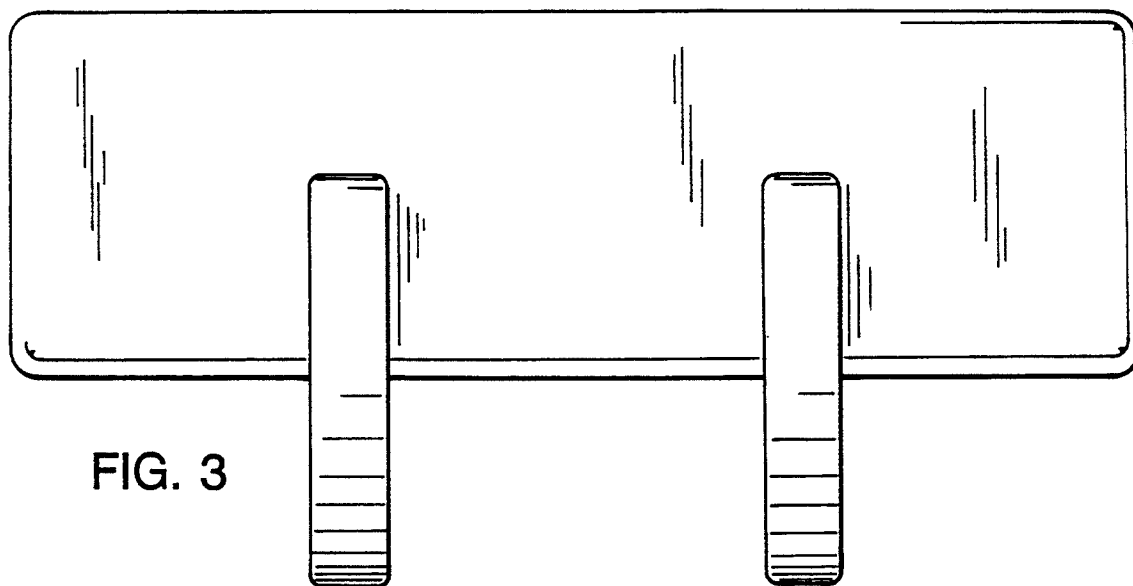


FIG. 3

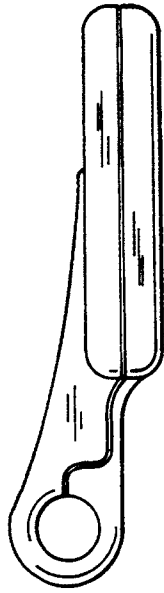


FIG. 4

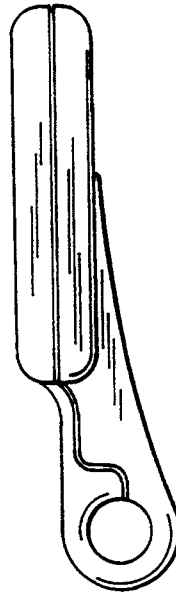


FIG. 5

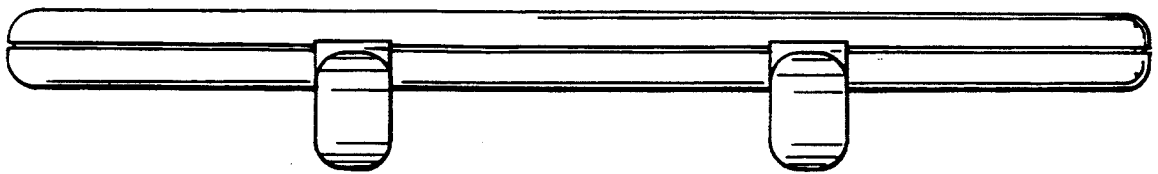


FIG. 6

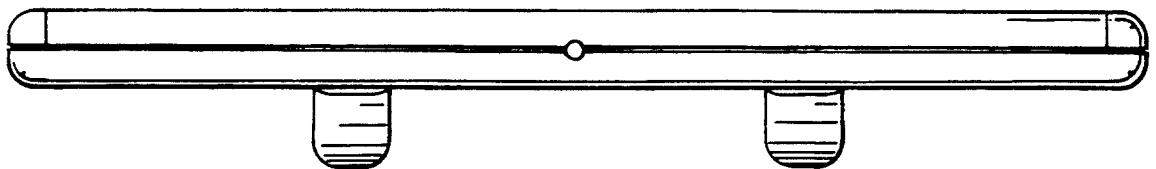


FIG. 7