

(19) World Intellectual Property  
Organization  
International Bureau



(43) International Publication Date  
13 March 2003 (13.03.2003)

PCT

(10) International Publication Number  
**WO 2003/021719 A3**

(51) International Patent Classification<sup>7</sup>: **H01R 12/22**,  
13/648

(21) International Application Number:  
PCT/US2002/027046

(22) International Filing Date: 23 August 2002 (23.08.2002)

(25) Filing Language: English

(26) Publication Language: English

(30) Priority Data:  
2001-263750 31 August 2001 (31.08.2001) JP

(71) Applicant (for all designated States except US): **MOLEX INCORPORATED** [US/US]; 2222 Wellington Court, Lisle, IL 6052 (US).

(72) Inventor; and

(75) Inventor/Applicant (for US only): **KOJIMA, Yutaka** [JP/JP]; 141-3 Azumano,, Seya-ku, Yokohama-shi, Tokyo 195-0072 (JP).

(74) Agent: **STACEY, E., Caldwell**; Molex Incorporated, 2222 Wellington Court, Lisle, IL 60532 (US).

(81) Designated States (national): AE, AG, AL, AM, AT, AU, AZ, BA, BB, BG, BR, BY, BZ, CA, CH, CN, CO, CR, CU, CZ, DE, DK, DM, DZ, EC, EE, ES, FI, GB, GD, GE, GH, GM, HR, HU, ID, IL, IN, IS, JP, KE, KG, KP, KR, KZ, LC, LK, LR, LS, LT, LU, LV, MA, MD, MG, MK, MN, MW, MX, MZ, NO, NZ, OM, PH, PL, PT, RO, RU, SD, SE, SG, SI, SK, SL, TJ, TM, TN, TR, TT, TZ, UA, UG, US, UZ, VN, YU, ZA, ZM, ZW.

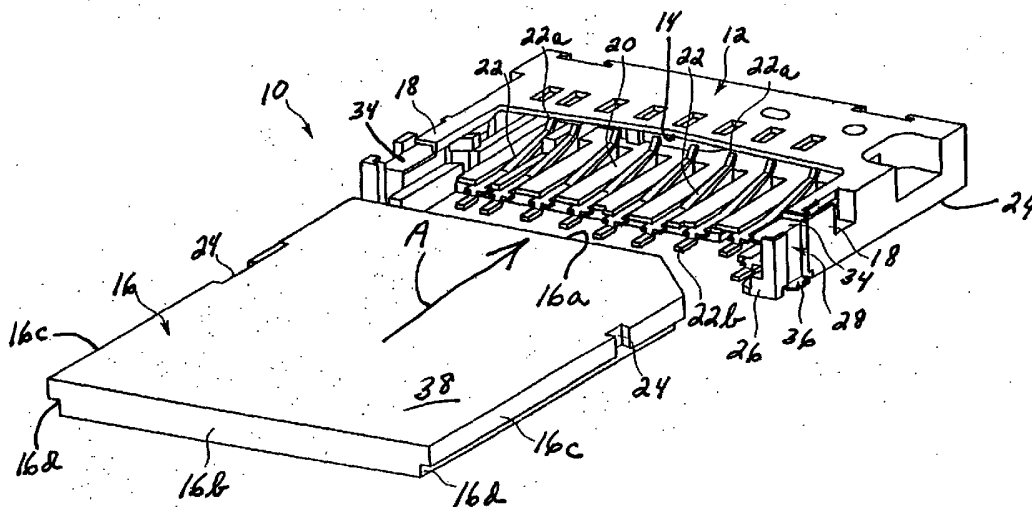
(84) Designated States (regional): ARIPO patent (GH, GM, KE, LS, MW, MZ, SD, SL, SZ, TZ, UG, ZM, ZW), Eurasian patent (AM, AZ, BY, KG, KZ, MD, RU, TJ, TM), European patent (AT, BE, BG, CH, CY, CZ, DE, DK, EE, ES, FI, FR, GB, GR, IE, IT, LU, MC, NL, PT, SE, SK, TR), OAPI patent (BF, BJ, CF, CG, CI, CM, GA, GN, GQ, GW, ML, MR, NE, SN, TD, TG).

Published:  
— with international search report

(88) Date of publication of the international search report:  
15 April 2004

For two-letter codes and other abbreviations, refer to the "Guidance Notes on Codes and Abbreviations" appearing at the beginning of each regular issue of the PCT Gazette.

(54) Title: MEMORY CARD CONNECTOR WITH ESD PROTECTION AND CARD LOCKING DEVICE



(57) Abstract: A memory card connector includes a housing for receiving a memory card movable in an insertion direction to an inserted position. The housing mounts a plurality of terminals having contact portions for engaging contacts on at least one side of the memory card. A one-piece metal electrostatic discharge (ESD) terminal is mounted on the housing. The ESD terminal includes an ESD portion for engaging the memory card before the contacts on the card engage the contact portions of the terminals, along with a lock portion for engaging the memory card to maintain the card in its inserted position.

WO 2003/021719 A3

# INTERNATIONAL SEARCH REPORT

International Application No  
PCT/US 02/27046

**A. CLASSIFICATION OF SUBJECT MATTER**  
IPC 7 H01R12/22 H01R13/648

According to International Patent Classification (IPC) or to both national classification and IPC

**B. FIELDS SEARCHED**

Minimum documentation searched (classification system followed by classification symbols)  
IPC 7 H01R

Documentation searched other than minimum documentation to the extent that such documents are included in the fields searched

Electronic data base consulted during the international search (name of data base and, where practical, search terms used)

EPO-Internal, PAJ, WPI Data

**C. DOCUMENTS CONSIDERED TO BE RELEVANT**

Category °	Citation of document, with indication, where appropriate, of the relevant passages	Relevant to claim No.
X  A  X  A  A	<p>US 5 308 251 A (KAUFMAN JOHN W ET AL) 3 May 1994 (1994-05-03)</p> <p>column 3, lines 18-49; figures 1,6 -----</p> <p>US 5 389 001 A (BROSCHARD III JOHN L ET AL) 14 February 1995 (1995-02-14)</p> <p>column 3, lines 49-58; figure 2 -----</p> <p>EP 0 717 467 A (MOLEX INC) 19 June 1996 (1996-06-19) the whole document -----</p>	<p>1-9, 11-15, 17-22 10,16,23</p> <p>1-9, 11-15, 17-22 10,16,23</p> <p>1-23</p>

Further documents are listed in the continuation of box C.

Patent family members are listed in annex.

° Special categories of cited documents:

- \*A\* document defining the general state of the art which is not considered to be of particular relevance
- \*E\* earlier document but published on or after the international filing date
- \*L\* document which may throw doubts on priority claim(s) or which is cited to establish the publication date of another citation or other special reason (as specified)
- \*O\* document referring to an oral disclosure, use, exhibition or other means
- \*P\* document published prior to the international filing date but later than the priority date claimed

- \*T\* later document published after the international filing date or priority date and not in conflict with the application but cited to understand the principle or theory underlying the invention
- \*X\* document of particular relevance; the claimed invention cannot be considered novel or cannot be considered to involve an inventive step when the document is taken alone
- \*Y\* document of particular relevance; the claimed invention cannot be considered to involve an inventive step when the document is combined with one or more other such documents, such combination being obvious to a person skilled in the art.
- \*&\* document member of the same patent family

Date of the actual completion of the international search

13 January 2004

Date of mailing of the international search report

21/01/2004

Name and mailing address of the ISA

European Patent Office, P.B. 5818 Patentlaan 2  
NL - 2280 HV Rijswijk  
Tel. (+31-70) 340-2040, Tx. 31 651 epo nl.  
Fax: (+31-70) 340-3016

Authorized officer

Marcolini, P

# INTERNATIONAL SEARCH REPORT

Information on patent family members

International Application No

PCT/US 02/27046

Patent document cited in search report	A	Publication date	Patent family member(s)	Publication date
US 5308251	A	03-05-1994	US 5318452 A	07-06-1994
			CN 1088025 A	15-06-1994
			DE 69307482 D1	27-02-1997
			DE 69307482 T2	07-08-1997
			EP 0601703 A1	15-06-1994
			JP 3016058 B2	06-03-2000
			JP 6215834 A	05-08-1994
			US 5288247 A	22-02-1994
			US 5389001 A	14-02-1995
			US 5290174 A	01-03-1994
US 5297966 A	29-03-1994			
US 5389001	A	14-02-1995	US 5318452 A	07-06-1994
			CN 1092897 A	28-09-1994
			DE 69405883 D1	06-11-1997
			DE 69405883 T2	05-03-1998
			EP 0608814 A1	03-08-1994
			JP 6260243 A	16-09-1994
			US 5288247 A	22-02-1994
			US 5290174 A	01-03-1994
			US 5308251 A	03-05-1994
			US 5297966 A	29-03-1994
EP 0717467	A	19-06-1996	US 5613860 A	25-03-1997
			EP 0717467 A2	19-06-1996
			JP 2787768 B2	20-08-1998
			JP 8236215 A	13-09-1996
			KR 208639 B1	15-07-1999