



US00D659769S

(12) **United States Design Patent**
Clark

(10) **Patent No.:** **US D659,769 S**

(45) **Date of Patent:** **** May 15, 2012**

(54) **TOY WAGON**

(76) Inventor: **Craig Clark**, Englewood, CO (US)

(**) Term: **14 Years**

(21) Appl. No.: **29/391,034**

(22) Filed: **May 3, 2011**

(51) **LOC (9) Cl.** **21-01**

(52) **U.S. Cl.** **D21/425**

(58) **Field of Classification Search** D21/419,
D21/424-246, 534-536, 540; D12/17, 19,
D12/20, 102, 105, 129, 133; D34/12; 280/87.01,
280/87.021, 87.043, 47.17, 47.25, 47.26,
280/47.34, 47.38, 47.4, 204, 639, 651; D3/371.12;
D6/336; D15/28

See application file for complete search history.

(56) **References Cited**

U.S. PATENT DOCUMENTS

650,895 A *	6/1900	Faherty	446/29
D136,835 S *	12/1943	Kenney	D21/536
D153,765 S *	5/1949	Chroninger	D21/425
D153,953 S *	5/1949	Lane	280/87.01
D160,792 S *	11/1950	La Fever, Jr.	D21/425
4,417,765 A *	11/1983	Wirsbinski	280/47.26
D285,322 S *	8/1986	Appel	D21/425
D309,968 S *	8/1990	Parshall	D34/24
D315,757 S *	3/1991	Klitsner	D21/536
D326,288 S *	5/1992	Arnott et al.	D21/425
D327,101 S *	6/1992	Halter et al.	D21/425
D332,639 S *	1/1993	Argandona et al.	D21/425
D341,460 S *	11/1993	Parshall et al.	D12/129
D345,768 S *	4/1994	Bro et al.	D21/425
D369,629 S *	5/1996	Pasin et al.	D21/425

D373,748 S *	9/1996	Fuller et al.	D12/105
D389,535 S *	1/1998	Schulz	D21/540
D401,407 S *	11/1998	Bro et al.	D3/271.12
D403,026 S *	12/1998	Pasin	D21/425
D416,590 S *	11/1999	Petersen et al.	D21/425
D426,793 S *	6/2000	Lundh	D12/133
D428,367 S *	7/2000	Lundh	D12/133
D455,463 S *	4/2002	Martin et al.	D21/425
D466,953 S *	12/2002	Ortiz	D21/425
D547,392 S *	7/2007	Johnson et al.	D21/425
D562,412 S *	2/2008	Tremblay et al.	D21/536
D564,038 S *	3/2008	Johnson et al.	D21/425
D564,039 S *	3/2008	Rodriguez et al.	D21/425
D606,565 S *	12/2009	Hickenbottom	D15/28
D609,756 S *	2/2010	Badanjo	D21/419

* cited by examiner

Primary Examiner — Cynthia M Chin

(74) *Attorney, Agent, or Firm* — Furr Law Firm; Jeffrey Furr, Esq.

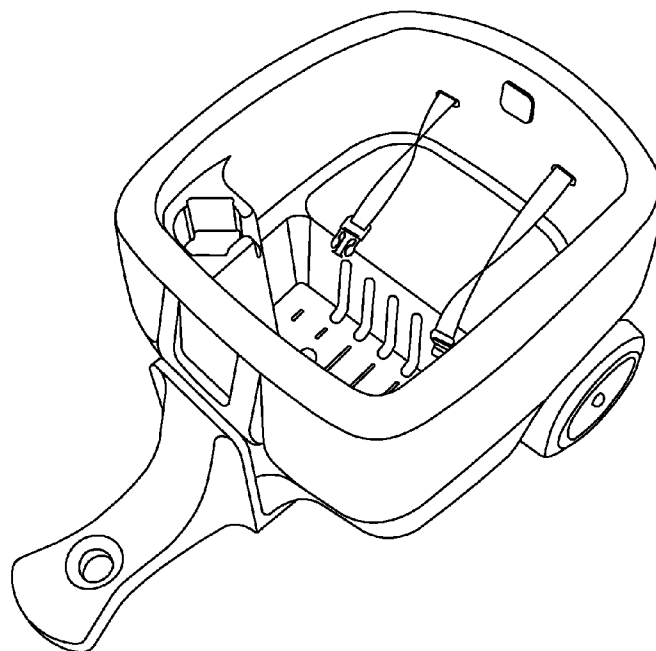
(57) **CLAIM**

The ornamental design for a toy wagon, as shown and described.

DESCRIPTION

FIG. 1 is a top view of the toy wagon showing my new design; FIG. 2 is a bottom view thereof; FIG. 3 is a back view thereof; FIG. 4 is a front view thereof; FIG. 5 is a right side view thereof; FIG. 6 is a left side view thereof; and, FIG. 7 is a front perspective view thereof. Portions of the articles in broken lines form no part of the claimed design.

1 Claim, 7 Drawing Sheets



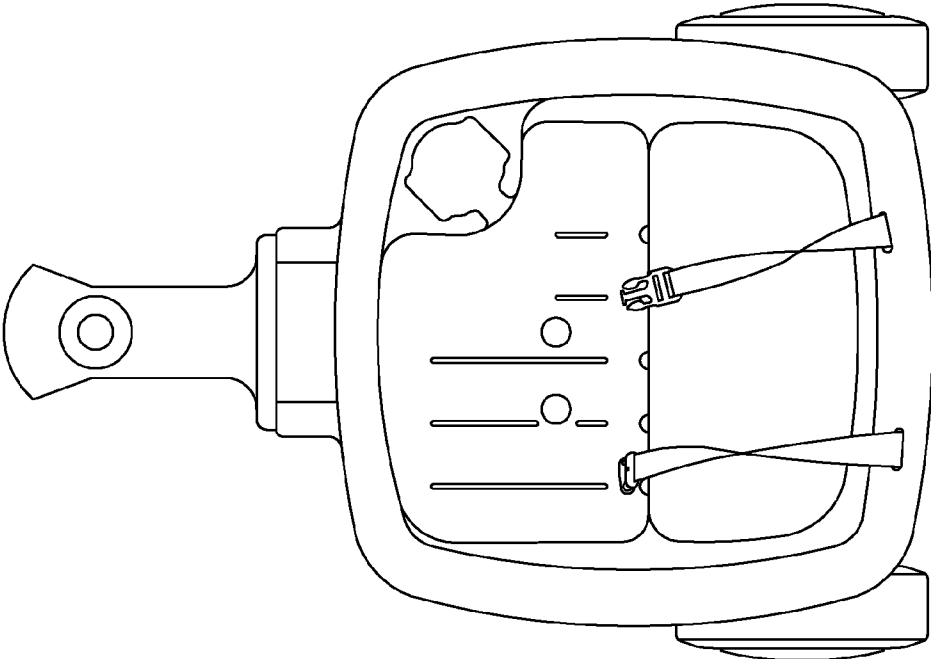


Fig. 1

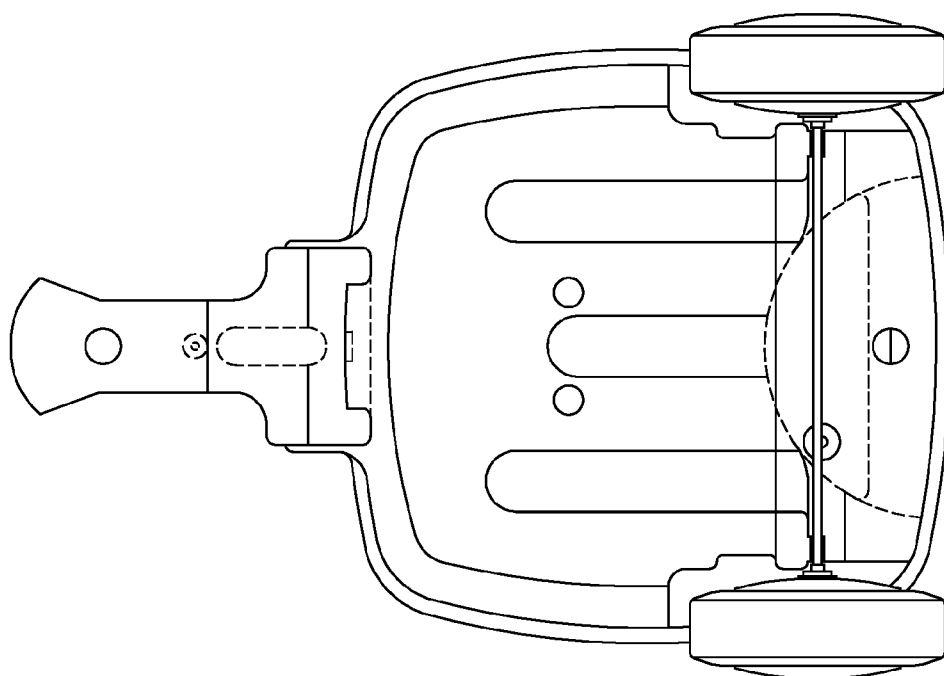


Fig. 2

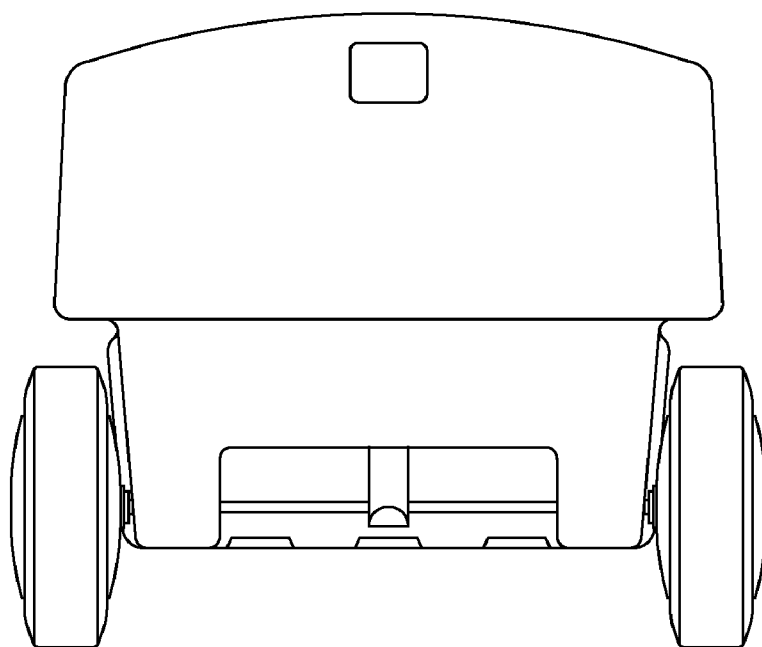


Fig. 3

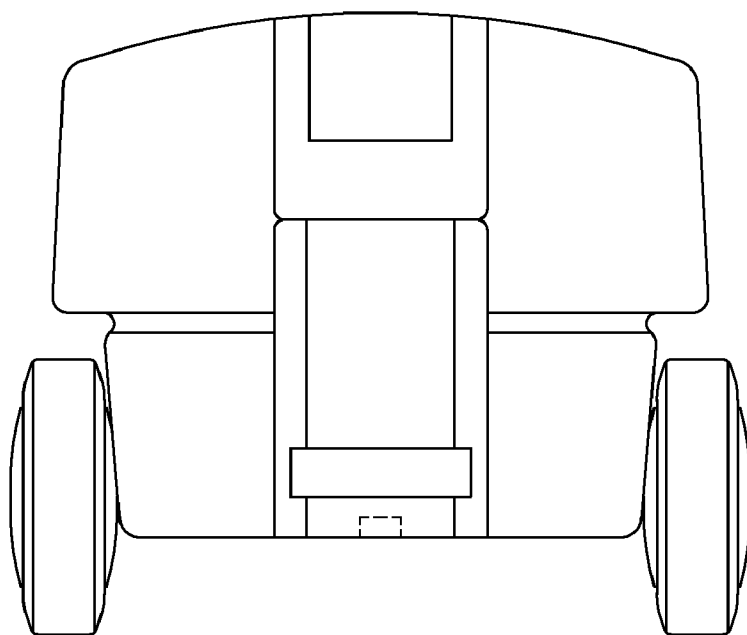


Fig. 4

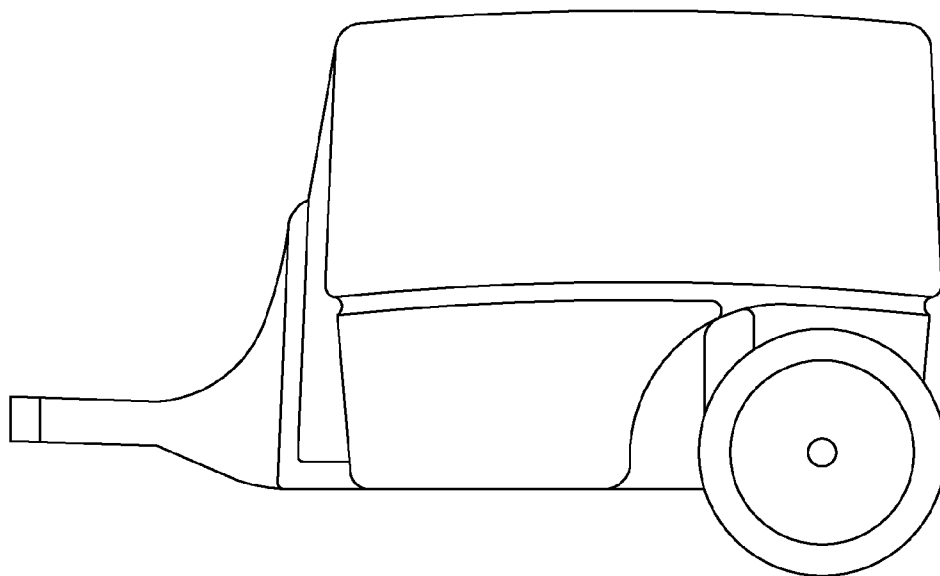


Fig. 5

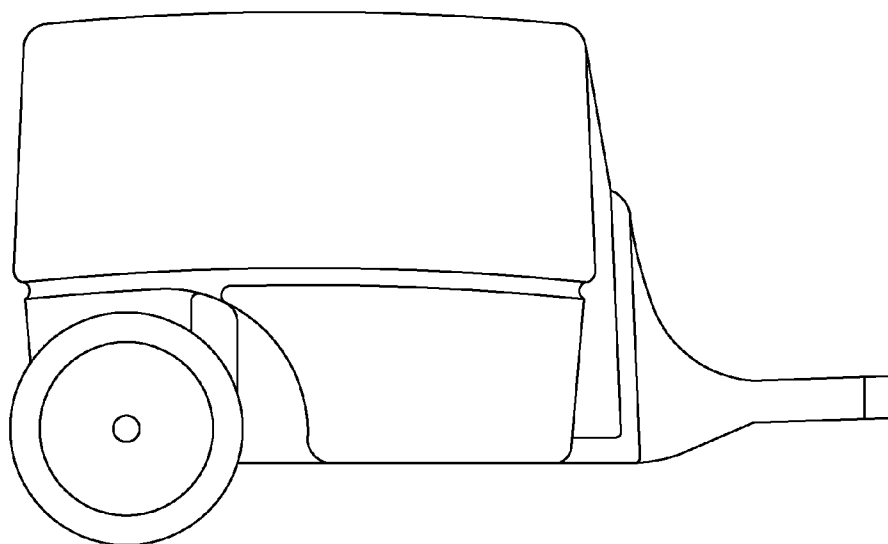


Fig. 6

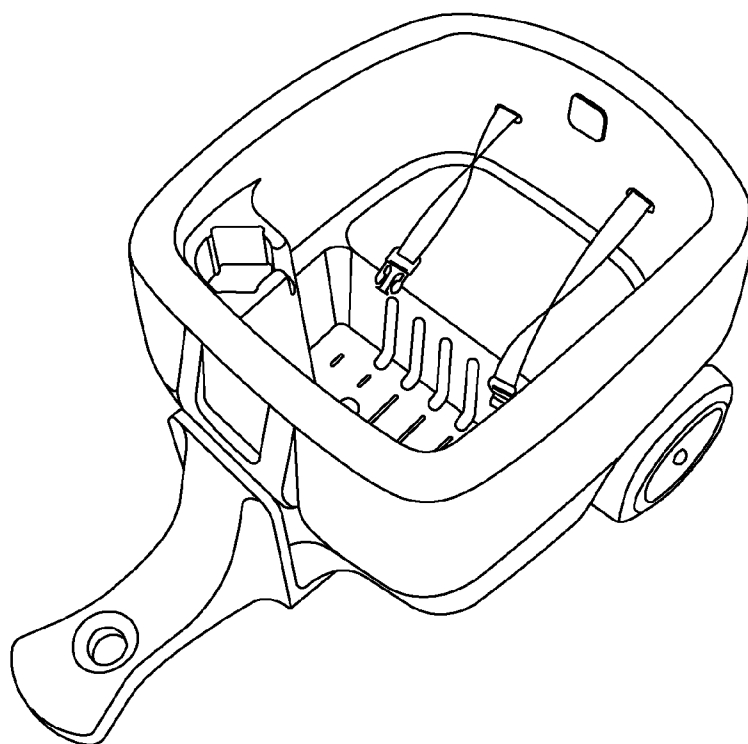


Fig. 7