



US00D332109S

United States Patent [19]

[11] Patent Number: Des. 332,109

Kohno et al.

[45] Date of Patent: ** Dec. 29, 1992

[54] DISPOSABLE CAMERA

D. 315,916	4/1991	Leonard	D16/218
D. 320,937	10/1991	Arai	D9/432
4,801,957	1/1989	Vandemoere	354/145.1

[75] Inventors: Atsuo Kohno; Takuya Arai; Kimiaki Nakada, all of Tokyo, Japan

Primary Examiner—Bernard Ansher
Assistant Examiner—Adir Aronovich
Attorney, Agent, or Firm—Young & Thompson

[73] Assignee: Fuji Photo Film Co., Ltd., Kanagawa, Japan

[**] Term: 14 Years

[57] CLAIM

[21] Appl. No.: 561,303

The ornamental design for a disposable camera, as shown.

[22] Filed: Aug. 1, 1990

[52] U.S. Cl. D16/208; D16/200

[58] Field of Search D9/414, 415, 432;
D16/200, 201, 202, 203, 204, 208, 209, 217, 218;
354/75, 76, 145.1, 288

DESCRIPTION

FIG. 1 is a top, front perspective view of a disposable camera showing our new design;
FIG. 2 is a front elevational view thereof;
FIG. 3 is a rear elevational view thereof;
FIG. 4 is a top plan view thereof;
FIG. 5 is a bottom plan view thereof;
FIG. 6 is a left side elevational view thereof; and,
FIG. 7 is a right side elevational view thereof.

[56] References Cited

U.S. PATENT DOCUMENTS

D. 313,183	12/1990	Arai	D9/432
D. 313,938	1/1991	Arai	D9/432

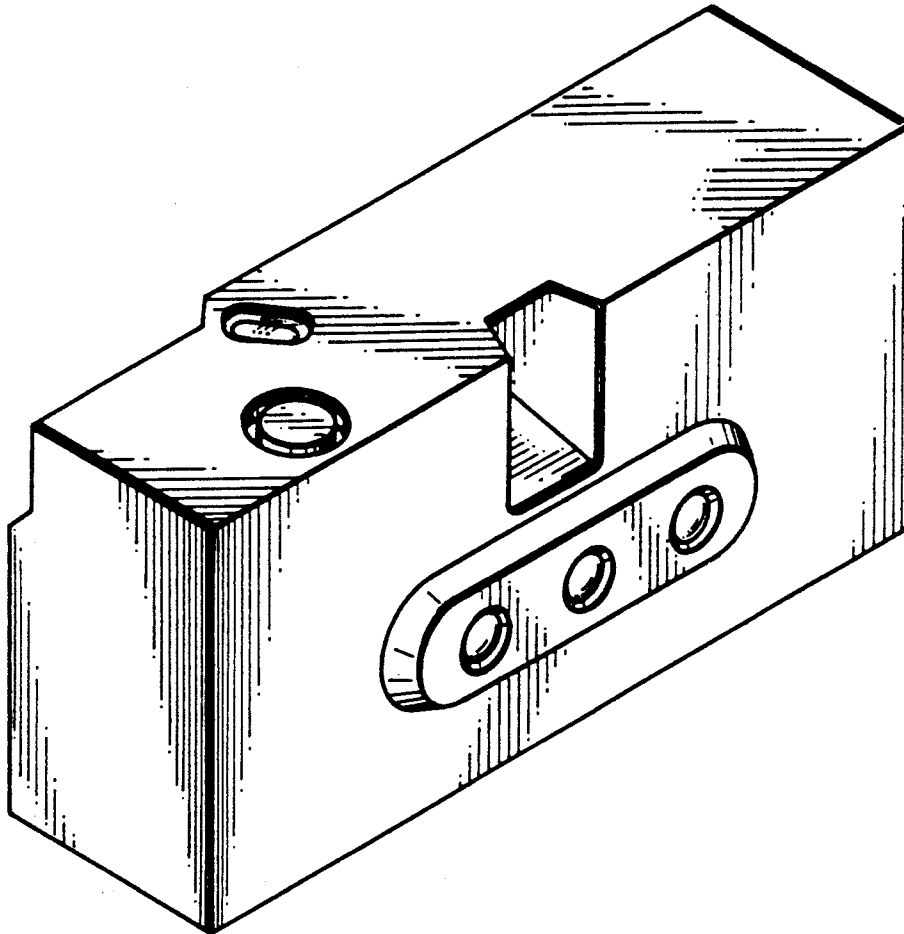


FIG. 1

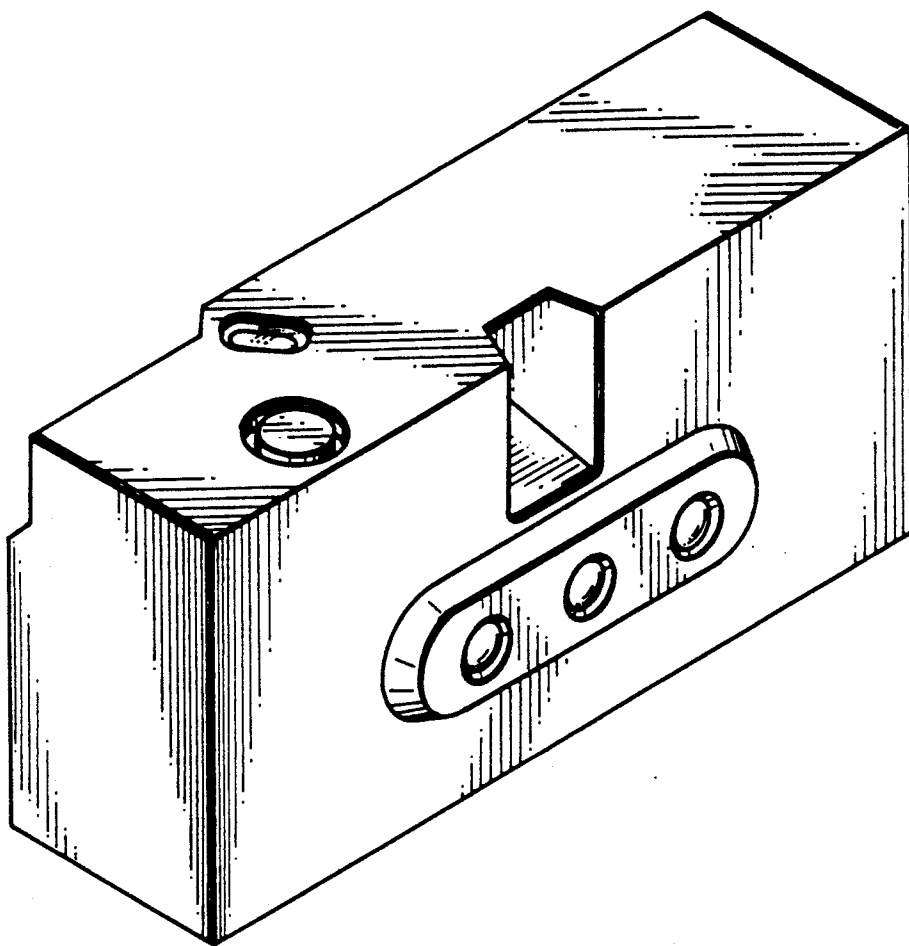


FIG. 2

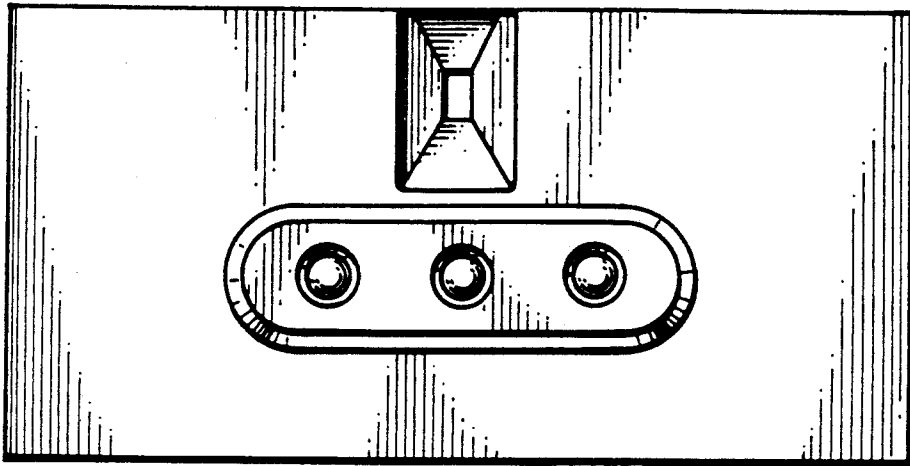


FIG. 3

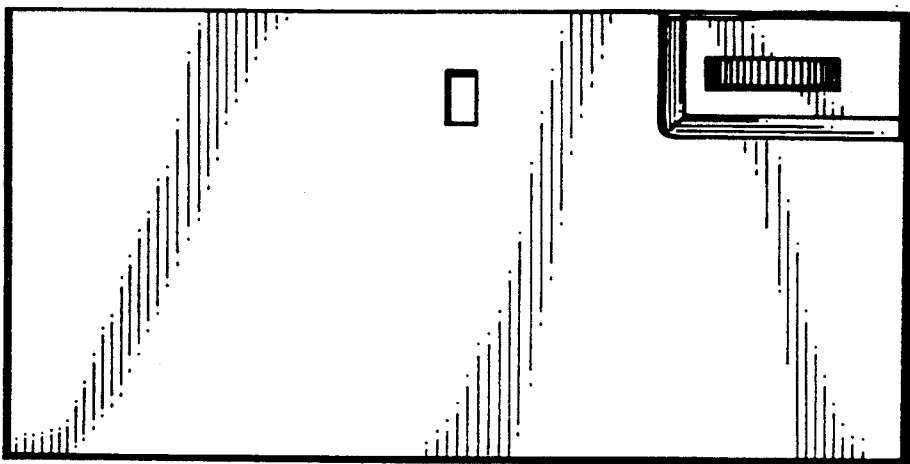


FIG. 4

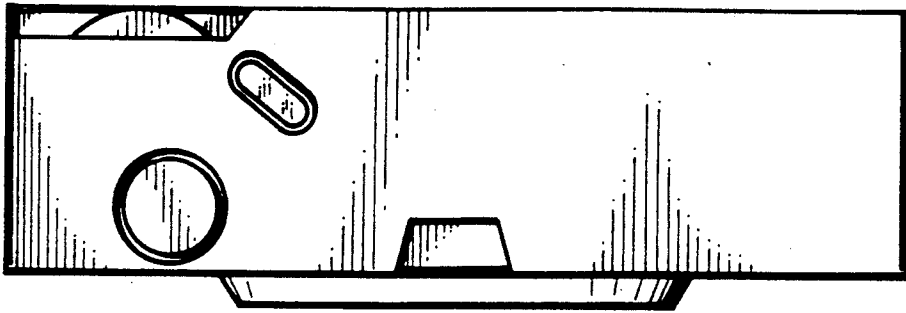


FIG. 5

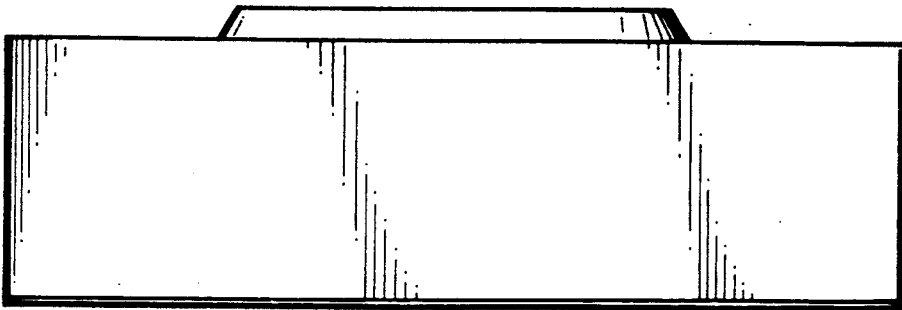


FIG. 6

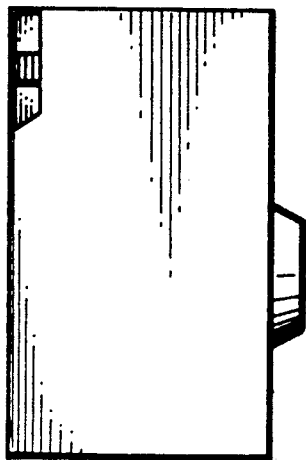


FIG. 7

