

(19) World Intellectual Property Organization  
International Bureau



(43) International Publication Date  
4 November 2010 (04.11.2010)

(10) International Publication Number  
**WO 2010/126730 A3**

- (51) International Patent Classification:  
*B65D 75/64* (2006.01)    *B65D 77/30* (2006.01)  
*B65D 75/60* (2006.01)    *B65D 33/16* (2006.01)
- (21) International Application Number:  
PCT/US2010/031544
- (22) International Filing Date:  
19 April 2010 (19.04.2010)
- (25) Filing Language: English
- (26) Publication Language: English
- (30) Priority Data:  
12/434,254    1 May 2009 (01.05.2009)    US
- (71) Applicant (for all designated States except US): **POP-  
PACK LLC** [US/US]; 301 Junipero Serra Boulevard,  
Suite 220, San Francisco, California 94127 (US).
- (72) Inventor; and
- (75) Inventor/Applicant (for US only): **SORENSEN, Leif, B.**  
[DK/US]; 7108 Marbella Court, Apt. 501, Cape Canaver-  
al, Florida 32920 (US).
- (74) Agent: **CASSIDY, Timothy, A.**; Dority & Manning,  
P.A., P O Box 1449, Greenville, South Carolina  
29602-1449 (US).
- (81) Designated States (unless otherwise indicated, for every  
kind of national protection available): AE, AG, AL, AM,  
AO, AT, AU, AZ, BA, BB, BG, BH, BR, BW, BY, BZ,  
CA, CH, CL, CN, CO, CR, CU, CZ, DE, DK, DM, DO,  
DZ, EC, EE, EG, ES, FI, GB, GD, GE, GH, GM, GT,  
HN, HR, HU, ID, IL, IN, IS, JP, KE, KG, KM, KN, KP,  
KR, KZ, LA, LC, LK, LR, LS, LT, LU, LY, MA, MD,  
ME, MG, MK, MN, MW, MX, MY, MZ, NA, NG, NI,  
NO, NZ, OM, PE, PG, PH, PL, PT, RO, RS, RU, SC, SD,  
SE, SG, SK, SL, SM, ST, SV, SY, TH, TJ, TM, TN, TR,  
TT, TZ, UA, UG, US, UZ, VC, VN, ZA, ZM, ZW.
- (84) Designated States (unless otherwise indicated, for every  
kind of regional protection available): ARIPO (BW, GH,  
GM, KE, LR, LS, MW, MZ, NA, SD, SL, SZ, TZ, UG,  
ZM, ZW), Eurasian (AM, AZ, BY, KG, KZ, MD, RU, TJ,  
TM), European (AT, BE, BG, CH, CY, CZ, DE, DK, EE,  
ES, FI, FR, GB, GR, HR, HU, IE, IS, IT, LT, LU, LV,  
MC, MK, MT, NL, NO, PL, PT, RO, SE, SI, SK, SM,

[Continued on next page]

(54) Title: PACKAGE WITH ONE OR MORE ACCESS POINTS FOR BREAKING ONE OR MORE SEALS AND ACCESSING THE CONTENTS OF THE PACKAGE

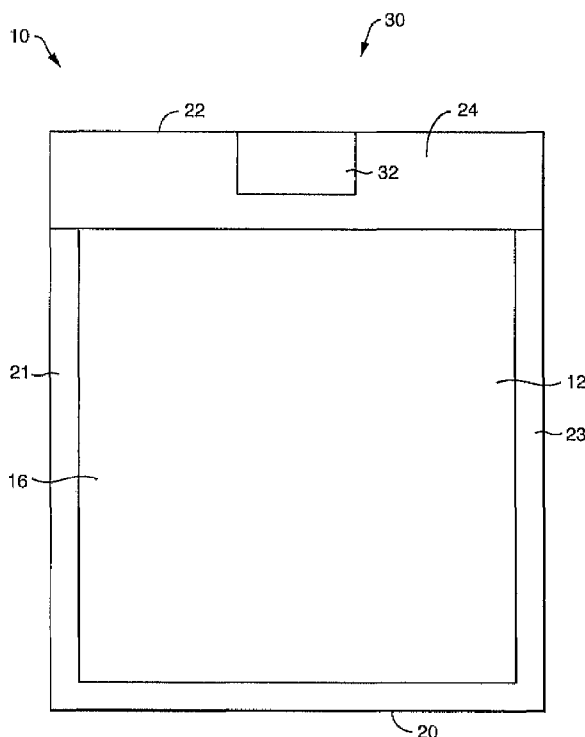


FIG. 1

(57) Abstract: An easy to open package is described. The package includes a sealed compartment having a tab region. The tab region is formed by connecting together a first panel to a second panel. Within the tab region, however, are a pair of opposing peel tabs. The peel tabs comprise an area within the tab region where the first panel is not sealed to the second panel. The peel tabs extend from the tab region to an edge of the package. In this manner, a user can peel apart the peel tabs to separate the first panel from the second panel and open the sealed compartment. In one embodiment, at least one of the peel tabs can be coated with a material to prevent the first panel from sealing to the second panel.



WO 2010/126730 A3



---

TR), OAPI (BF, BJ, CF, CG, CI, CM, GA, GN, GQ, GW, (88) Date of publication of the international search report:  
ML, MR, NE, SN, TD, TG). 24 March 2011

**Published:**

— *with international search report (Art. 21(3))*

**A. CLASSIFICATION OF SUBJECT MATTER***B65D 75/64(2006.01)i, B65D 75/60(2006.01)i, B65D 77/30(2006.01)i, B65D 33/16(2006.01)i*

According to International Patent Classification (IPC) or to both national classification and IPC

**B. FIELDS SEARCHED**

Minimum documentation searched (classification system followed by classification symbols)

B65D 75/64; B65D 17/00; B65B 61/00; B65D 85/00; B32B 27/08; B32B 3/10; B32B 15/08

Documentation searched other than minimum documentation to the extent that such documents are included in the fields searched

Korean utility models and applications for utility models

Japanese utility models and applications for utility models

Electronic data base consulted during the international search (name of data base and, where practicable, search terms used)

eKOMPASS(KIPO internal) &amp; Keywords:package, pell tab, seal

**C. DOCUMENTS CONSIDERED TO BE RELEVANT**

Category*	Citation of document, with indication, where appropriate, of the relevant passages	Relevant to claim No.
X	US 4279344 A1 (HOLLOWAY, JR.; FRED W.) 21 July 1981	1-2, 6-14
Y	See claims 1-9 and figure 1.	3-5, 15-18, 19-22
Y	US 4889731 A1 (WILLIAMS, JR.; ALLEN C.) 26 December 1989 See claims 1-9 and figures 1-3.	3-5, 15-18, 19-22
A	US 6326069 B1 (BARNETT; ROGER et al.) 04 December 2001 See claims 1-18.	1-22
A	JP 01-314726 Y (SUMITOMO BAKELITE CO.) 31 January 1980 See claim 1 and figures 1-3.	1-22

 Further documents are listed in the continuation of Box C. See patent family annex.

\* Special categories of cited documents:

"A" document defining the general state of the art which is not considered to be of particular relevance

"E" earlier application or patent but published on or after the international filing date

"L" document which may throw doubts on priority claim(s) or which is cited to establish the publication date of citation or other special reason (as specified)

"O" document referring to an oral disclosure, use, exhibition or other means

"P" document published prior to the international filing date but later than the priority date claimed

"T" later document published after the international filing date or priority date and not in conflict with the application but cited to understand the principle or theory underlying the invention

"X" document of particular relevance; the claimed invention cannot be considered novel or cannot be considered to involve an inventive step when the document is taken alone

"Y" document of particular relevance; the claimed invention cannot be considered to involve an inventive step when the document is combined with one or more other such documents, such combination being obvious to a person skilled in the art

"&amp;" document member of the same patent family

Date of the actual completion of the international search

29 NOVEMBER 2010 (29.11.2010)

Date of mailing of the international search report

**29 NOVEMBER 2010 (29.11.2010)**

Name and mailing address of the ISA/KR

Korean Intellectual Property Office  
Government Complex-Daejeon, 139 Seonsa-ro, Seo-  
gu, Daejeon 302-701, Republic of Korea

Facsimile No. 82-42-472-7140

Authorized officer

LEE Choong Seok

Telephone No. 82-42-481-8539



**INTERNATIONAL SEARCH REPORT**

Information on patent family members

International application No.

**PCT/US2010/031544**

Patent document cited in search report	Publication date	Patent family member(s)	Publication date
US 4279344 A1	21.07.1981	None	
US 4889731 A1	26.12.1989	EP 0328245 A2 EP 0328245 A3 EP 0328245 B1 US 4901505 A1	16.08.1989 04.07.1990 09.06.1993 20.02.1990
US 6326069 B1	04.12.2001	AT 237461 T AU 1998/80730 B2 AU 8073098 A BR 9810249 A CA 2293353-A1 DE 1034073 T1 DE 69813610 D1 DE 69813610 T2 EP 1034073 A1 EP 1034073 A4 EP 1034073 B1 ES 2195350 T3 JP 03-637359 B2 JP 2002-511824 A KR 10-2001-0013724 A PL 195204 B1 PL 343893 A1 PT1034073E WO 98/56568 A1 WO 98/56654 A1	15.05.2003 20.09.2001 30.12.1998 19.09.2000 17.12.1998 19.07.2001 22.05.2003 25.03.2004 13.09.2000 09.05.2001 16.04.2003 01.12.2003 13.04.2005 16.04.2002 26.02.2001 31.08.2007 10.09.2001 30.09.2003 17.12.1998 17.12.1998
JP 01-314726 Y	31.01.1980	None	