



US00D713869S

(12) **United States Design Patent**
Kim

(10) **Patent No.:** **US D713,869 S**

(45) **Date of Patent:** **** Sep. 23, 2014**

(54) **CAMERA**

(71) Applicant: **Samsung Electronics Co., Ltd.**,
Suwon-si (KR)

(72) Inventor: **In-Shik Kim**, Seongnam-si (KR)

(73) Assignee: **Samsung Electronics Co., Ltd.**,
Suwon-si (KR)

(**) Term: **14 Years**

(21) Appl. No.: **29/460,352**

(22) Filed: **Jul. 10, 2013**

(30) **Foreign Application Priority Data**

Jan. 10, 2013 (KR) 30-2013-0001627

(51) **LOC (10) Cl.** **16-01**

(52) **U.S. Cl.**
USPC **D16/202**

(58) **Field of Classification Search**
CPC G03B 17/02; G03B 19/04; G03B 17/56;
G03B 17/04; G03B 15/03; H04N 5/2251;
H04N 5/2252; H04N 5/2253; H04N 5/2254;
H04N 2101/00
USPC D16/200, 202-208, 218, 219, 242;
348/373-376; 396/428, 535, 539-541
See application file for complete search history.

(56) **References Cited**

U.S. PATENT DOCUMENTS

6,829,011 B1 * 12/2004 Higuchi et al. 348/340
D561,799 S * 2/2008 Bai D16/202
D566,740 S * 4/2008 Nohara D16/202

D639,326 S * 6/2011 Baba et al. D16/202
D646,314 S * 10/2011 Nohara D16/202
D653,275 S * 1/2012 Sakai D16/202
D669,109 S * 10/2012 Jang D16/202
D685,834 S * 7/2013 Chai et al. D16/202
D695,328 S * 12/2013 Sul D16/202
D695,803 S * 12/2013 Kyunghan et al. D16/202
D700,229 S * 2/2014 Ham D16/202
2010/0150543 A1 * 6/2010 Fong 396/428
2011/0298970 A1 * 12/2011 Shinohara et al. 348/373

* cited by examiner

Primary Examiner — Adir Aronovich

Assistant Examiner — Ramzi Almatrahi

(74) *Attorney, Agent, or Firm* — NSIP Law

(57) **CLAIM**

The ornamental design for a camera, as shown and described.

DESCRIPTION

FIG. 1 is a top, front, and left side perspective view of a camera, showing my new design;
FIG. 2 is a front view thereof;
FIG. 3 is a rear view thereof;
FIG. 4 is a left-side view thereof;
FIG. 5 is a right-side view thereof;
FIG. 6 is a top plan view thereof;
FIG. 7 is a bottom plan view thereof; and,
FIG. 8 is a top, front, and left side perspective view thereof, in which a lens part in broken lines is provided to illustrate an environment, and showing a display part of the camera which rotates on a hinge.
The broken lines are for illustrative purposes only and form no part of the claimed design. The shade lines in the figures show contour and not surface ornamentation. The diagonal lines in the FIGS. 1, 2 and 3 represent a reflective surface.

1 Claim, 8 Drawing Sheets

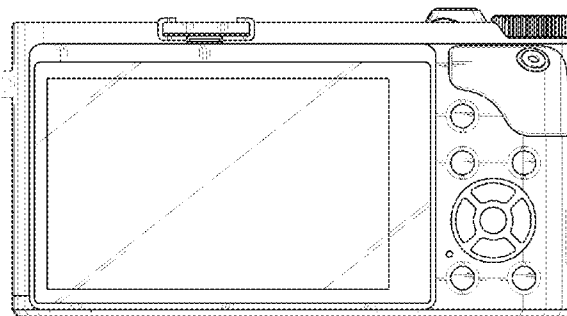
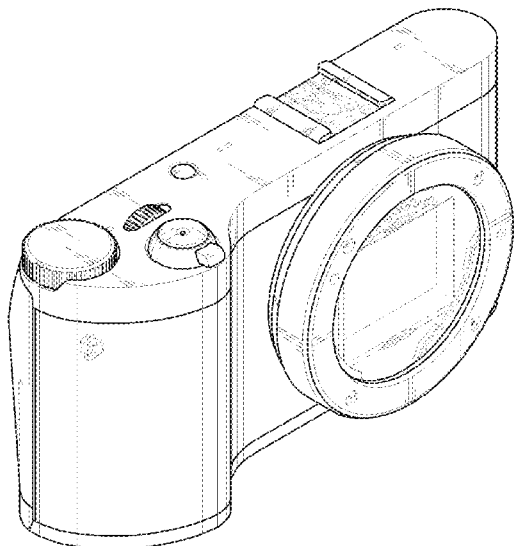


FIG. 1

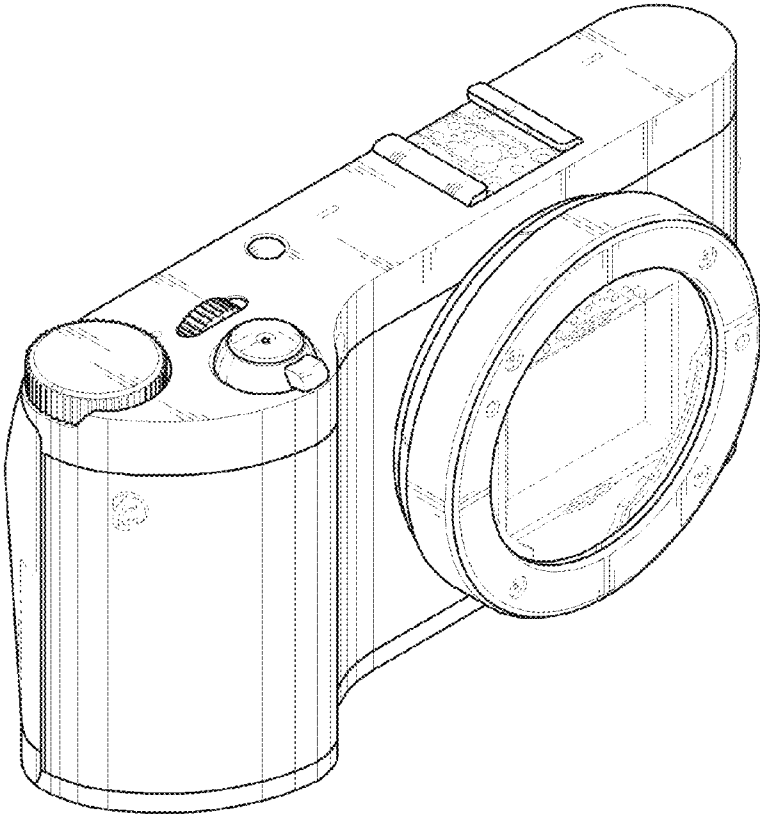


FIG. 2

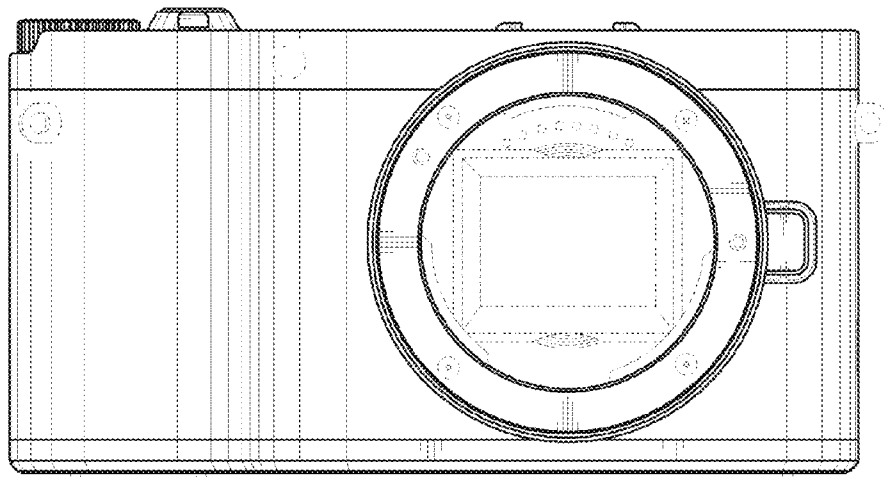


FIG. 3

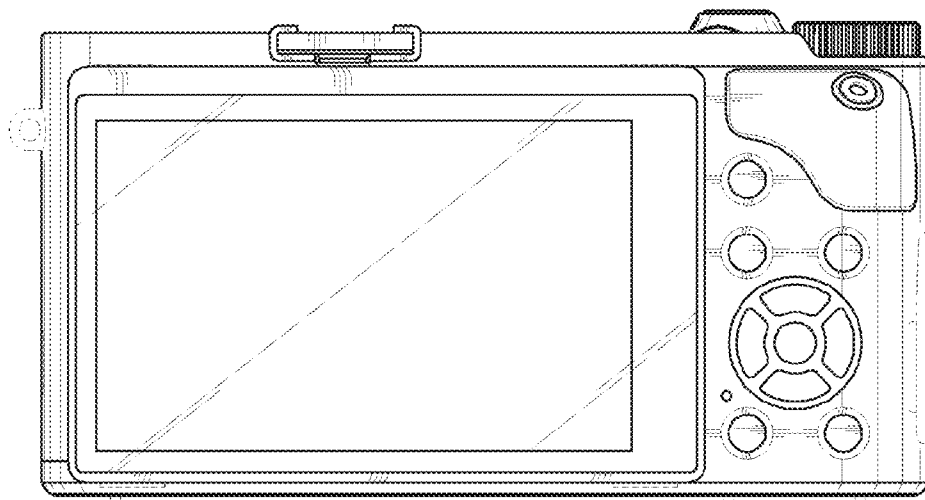


FIG. 4

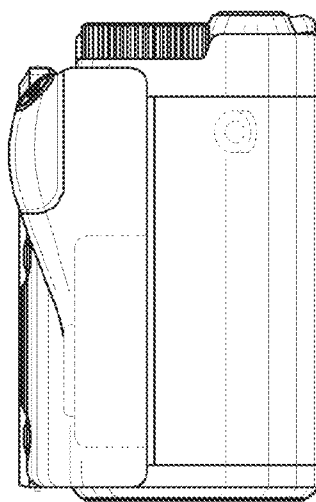


FIG. 5

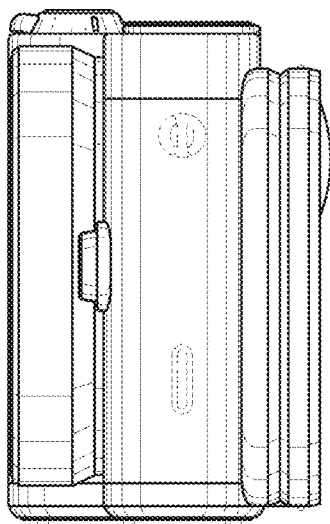


FIG. 6

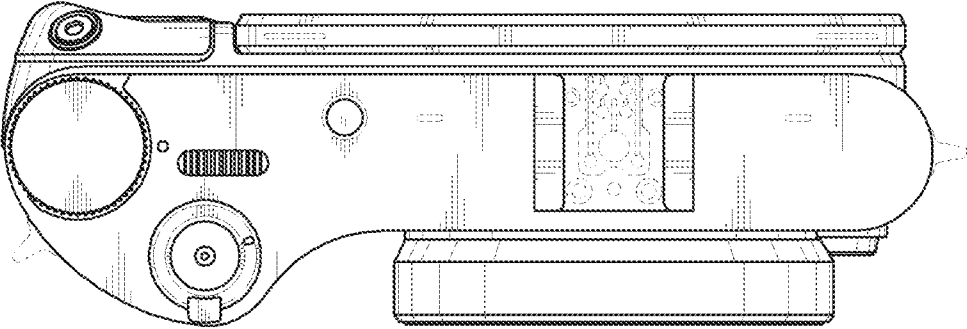


FIG. 7

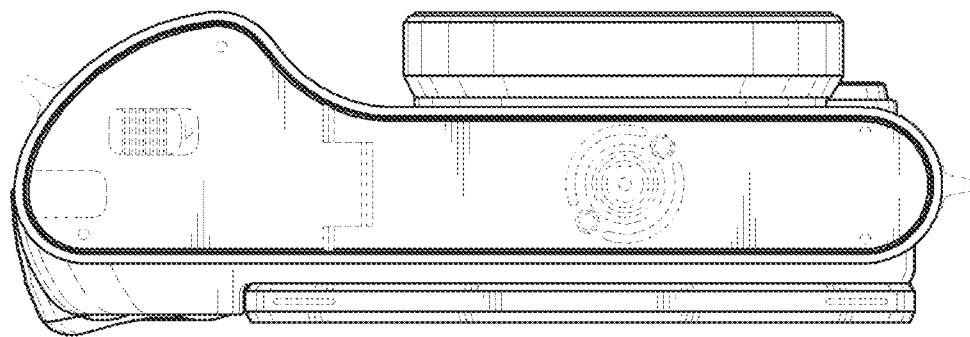


FIG. 8

