



- (51) International Patent Classification:  
H04L 29/08 (2006.01)
- (21) International Application Number:  
PCT/SE2013/050532
- (22) International Filing Date:  
14 May 2013 (14.05.2013)
- (25) Filing Language: English
- (26) Publication Language: English
- (30) Priority Data:  
12170065.2 30 May 2012 (30.05.2012) EP
- (71) Applicant: TELEFONAKTIEBOLAGET L M ERICSSON (PUBL) [SE/SE]; Torshamnsgatan 21, SE-164 83 Stockholm (SE).
- (72) Inventors: FORSLUND, Anders; Forsbrogatan 15, S-931 42 Skellefteå (SE). VON GOES, Hans; Ensittarvägen 15, S-112 64 Stockholm (SE).
- (74) Agent: SJÖBERG, Mats; Ericsson AB, Torshamnsgatan 21-23, S-164 80 Stockholm (SE).
- (81) Designated States (unless otherwise indicated, for every kind of national protection available): AE, AG, AL, AM, AO, AT, AU, AZ, BA, BB, BG, BH, BN, BR, BW, BY, BZ, CA, CH, CL, CN, CO, CR, CU, CZ, DE, DK, DM,

DO, DZ, EC, EE, EG, ES, FI, GB, GD, GE, GH, GM, GT, HN, HR, HU, ID, IL, IN, IS, JP, KE, KG, KM, KN, KP, KR, KZ, LA, LC, LK, LR, LS, LT, LU, LY, MA, MD, ME, MG, MK, MN, MW, MX, MY, MZ, NA, NG, NI, NO, NZ, OM, PA, PE, PG, PH, PL, PT, QA, RO, RS, RU, RW, SC, SD, SE, SG, SK, SL, SM, ST, SV, SY, TH, TJ, TM, TN, TR, TT, TZ, UA, UG, US, UZ, VC, VN, ZA, ZM, ZW.

(84) Designated States (unless otherwise indicated, for every kind of regional protection available): ARIPO (BW, GH, GM, KE, LR, LS, MW, MZ, NA, RW, SD, SL, SZ, TZ, UG, ZM, ZW), Eurasian (AM, AZ, BY, KG, KZ, RU, TJ, TM), European (AL, AT, BE, BG, CH, CY, CZ, DE, DK, EE, ES, FI, FR, GB, GR, HR, HU, IE, IS, IT, LT, LU, LV, MC, MK, MT, NL, NO, PL, PT, RO, RS, SE, SI, SK, SM, TR), OAPI (BF, BJ, CF, CG, CI, CM, GA, GN, GQ, GW, ML, MR, NE, SN, TD, TG).

**Published:**

- with international search report (Art. 21(3))
- before the expiration of the time limit for amending the claims and to be republished in the event of receipt of amendments (Rule 48.2(h))

(88) Date of publication of the international search report:  
20 March 2014

WO 2013/180623 A3

(54) Title: PLUGGABLE MODULE

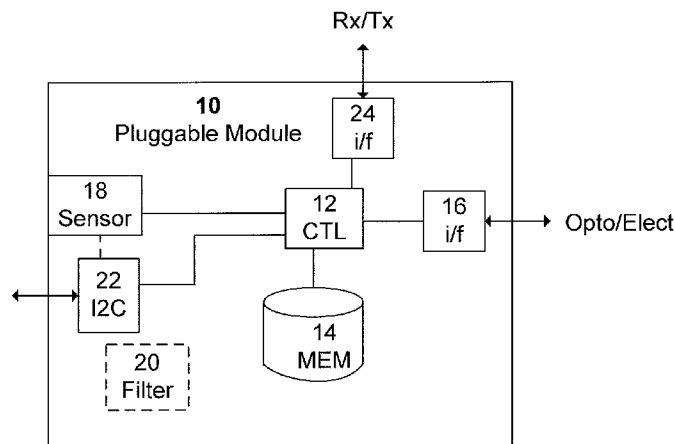


FIG. 2

(57) Abstract: It is presented a pluggable module (10), which module (10) is configured to be connected into a pluggable port of a radio base station (30). The pluggable module (10) is associated with at least one sensor (18) for collecting external sensor data. The pluggable module (10) comprises at least one communication interface (16; 22; 24), a processor (12) and a memory (14) for storing software comprising computer program code which, when run in the processor (12), causes the pluggable module (10) to collect pre-specified external sensor data from at least one sensor (18) associated with the pluggable module (10) and communicate the collected external sensor data to a centralized server (40) via the at least one communication interface (16; 22; 24).

## INTERNATIONAL SEARCH REPORT

International application No.  
PCT/SE2013/050532

## A. CLASSIFICATION OF SUBJECT MATTER

IPC: see extra sheet

According to International Patent Classification (IPC) or to both national classification and IPC

## B. FIELDS SEARCHED

Minimum documentation searched (classification system followed by classification symbols)

IPC: H04L

Documentation searched other than minimum documentation to the extent that such documents are included in the fields searched

SE, DK, FI, NO classes as above

Electronic data base consulted during the international search (name of data base and, where practicable, search terms used)

EPO-Internal, PAJ, WPI data, COMPENDEX, EMBASE, INSPEC

## C. DOCUMENTS CONSIDERED TO BE RELEVANT

Category*	Citation of document, with indication, where appropriate, of the relevant passages	Relevant to claim No.
X	US 20060242285 A1 (MORIWAKI NORIHIKO), 26 October 2006 (2006-10-26); abstract; paragraphs [0071]-[0080], [0108]-[0116]; figures 3 and 5 --	1-13
A	US 20040103139 A1 (HUBBARD EDWARD A ET AL), 27 May 2004 (2004-05-27); abstract; paragraphs [0006]-[0012] --	1-13
A	US 20110084800 A1 (KO LEE-CHUN ET AL), 14 April 2011 (2011-04-14); abstract; paragraphs [0009]-[0012] -- -----	1-13

 Further documents are listed in the continuation of Box C. See patent family annex.

\* Special categories of cited documents:

"A" document defining the general state of the art which is not considered to be of particular relevance

"E" earlier application or patent but published on or after the international filing date

"L" document which may throw doubts on priority claim(s) or which is cited to establish the publication date of another citation or other special reason (as specified)

"O" document referring to an oral disclosure, use, exhibition or other means

"P" document published prior to the international filing date but later than the priority date claimed

"T" later document published after the international filing date or priority date and not in conflict with the application but cited to understand the principle or theory underlying the invention

"X" document of particular relevance; the claimed invention cannot be considered novel or cannot be considered to involve an inventive step when the document is taken alone

"Y" document of particular relevance; the claimed invention cannot be considered to involve an inventive step when the document is combined with one or more other such documents, such combination being obvious to a person skilled in the art

"&amp;" document member of the same patent family

Date of the actual completion of the international search

27-01-2014

Date of mailing of the international search report

27-01-2014

Name and mailing address of the ISA/SE

Patent- och registreringsverket  
Box 5055  
S-102 42 STOCKHOLM  
Facsimile No. + 46 8 666 02 86

Authorized officer

Per Karlsson

Telephone No. + 46 8 782 25 00

**Continuation of:** second sheet  
**International Patent Classification (IPC)**  
**H04L 29/08** (2006.01)

**INTERNATIONAL SEARCH REPORT**

Information on patent family members

International application No.

PCT/SE2013/050532

US	20060242285 A1	26/10/2006	CN	1838600 B	17/10/2012
			JP	2006268431 A	05/10/2006
			JP	4596943 B2	15/12/2010
			US	7860917 B2	28/12/2010
US	20040103139 A1	27/05/2004	NONE		
US	20110084800 A1	14/04/2011	TW	201114275 A	16/04/2011
			TW	1401979 B	11/07/2013
			US	8461963 B2	11/06/2013