

March 31, 1942.

W. W. HOBE

Des. 131,855

BROOCH PIN OR SIMILAR ARTICLE

Filed Jan. 30, 1942

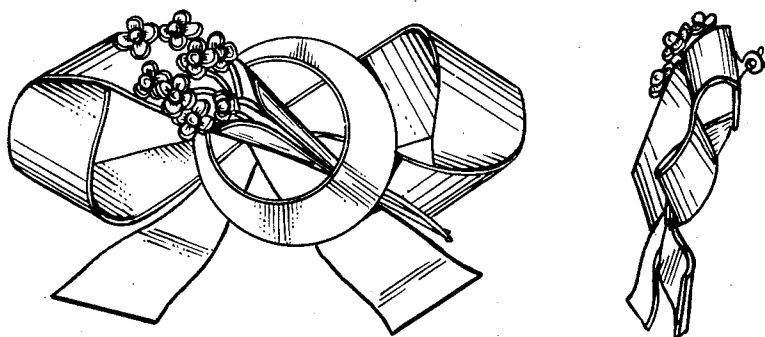


Fig. 1.

Fig. 2.

WILLIAM W. HOBE
INVENTOR

BY *Thomas F. Wallace*
ATTORNEY

UNITED STATES PATENT OFFICE

131,855

DESIGN FOR A BROOCH PIN OR SIMILAR
ARTICLE

William W. Hobé, New York, N. Y.

Application January 30, 1942, Serial No. 105,519

Term of patent $3\frac{1}{2}$ years

To all whom it may concern:

Be it known that I, William W. Hobé, a citizen of the United States of America, residing in New York city, county of New York, and State of New York, have invented a new, original, and ornamental Design for a Brooch Pin or Similar Article, of which the following is a specification, reference being had to the accompanying drawing, forming part thereof, wherein,

Figure 1 is a front elevational view of a brooch pin or similar article showing my new design.

Figure 2 is a side elevational view thereof.

I claim:

The ornamental design for a brooch pin or similar article, substantially as shown.

WILLIAM W. HOBÉ.