

(19) World Intellectual Property Organization
International Bureau



(43) International Publication Date
16 April 2009 (16.04.2009)

PCT

(10) International Publication Number
WO 2009/049006 A3

(51) International Patent Classification:

E21B 17/04 (2006.01) *E21B 19/06* (2006.01)
E21B 43/10 (2006.01)

[CA/US]; 4955 Sentry Woods Lane, Pearland, TX 77594 (US).

(21) International Application Number:

PCT/US2008/079283

(74) Agents: **MOSCICKI, Matthew, R.** et al.; CONLEY ROSE, P.C., P.O. Box 3267, Houston, TX 77253-3267 (US).

(22) International Filing Date: 9 October 2008 (09.10.2008)

(81) Designated States (unless otherwise indicated, for every kind of national protection available): AE, AG, AL, AM, AO, AT, AU, AZ, BA, BB, BG, BH, BR, BW, BY, BZ, CA, CH, CN, CO, CR, CU, CZ, DE, DK, DM, DO, DZ, EC, EE, EG, ES, FI, GB, GD, GE, GH, GM, GT, HN, HR, HU, ID, IL, IN, IS, JP, KE, KG, KM, KN, KP, KR, KZ, LA, LC, LK, LR, LS, LT, LU, LY, MA, MD, ME, MG, MK, MN, MW, MX, MY, MZ, NA, NG, NI, NO, NZ, OM, PG, PH, PL, PT, RO, RS, RU, SC, SD, SE, SG, SK, SL, SM, ST, SV, SY, TJ, TM, TN, TR, TT, TZ, UA, UG, US, UZ, VC, VN, ZA, ZM, ZW.

(25) Filing Language: English

(26) Publication Language: English

(30) Priority Data:

60/979,002 10 October 2007 (10.10.2007) US

(71) Applicant (for all designated States except US): **NATIONAL OILWELL VARCO, L.P.** [US/US]; 7909 Parkwood Circle Drive, Houston, TX 77036 (US).

(72) Inventor; and

(75) Inventor/Applicant (for US only): **BELIK, Jaroslav,**

(84) Designated States (unless otherwise indicated, for every kind of regional protection available): ARIPO (BW, GH, GM, KE, LS, MW, MZ, NA, SD, SL, SZ, TZ, UG, ZM,

[Continued on next page]

(54) Title: PIPE CONNECTION SYSTEM

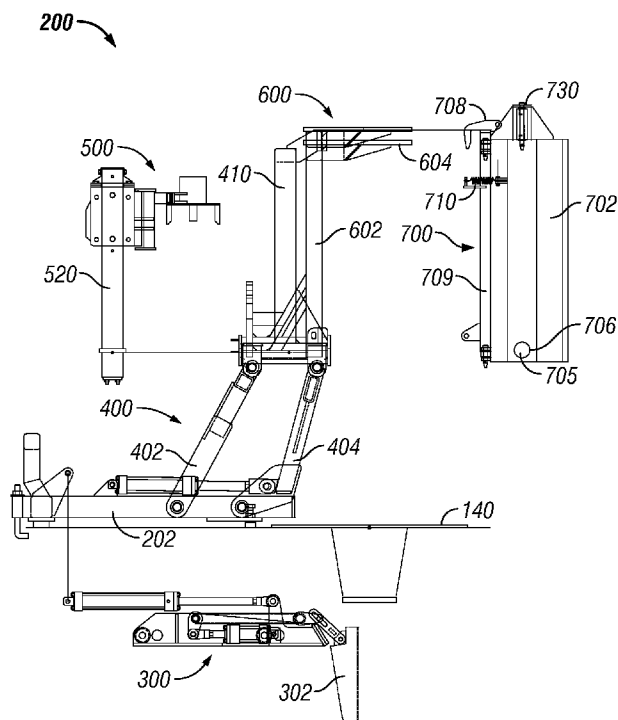


FIG. 3

(57) Abstract: A pipe connection system (200) includes a stationary support frame (202, 204) and a slip control system (300) coupled to the stationary support frame including a slip wedge (302) and at least one actuator (306, 308) coupled between the slip wedge and the stationary support frame, wherein the actuator is operable to move the slip wedge between a retracted position and an extended position in engagement with a downhole tubular string (118). A pipe connection system also includes a stationary support frame (202, 204), a slip control subsystem including a slip wedge moveable between a retracted position and an extended position in engagement with a downhole tubular string, a support frame subsystem (400) movably coupled to the stationary support frame, a stabbing arm subsystem (600) movably coupled to the moveable support frame subsystem, a thread lubricator subsystem (500) movably coupled to the moveable support frame subsystem, and a mud bucket subsystem (700) movably coupled to the moveable support frame subsystem.

WO 2009/049006 A3



ZW), Eurasian (AM, AZ, BY, KG, KZ, MD, RU, TJ, TM),
European (AT, BE, BG, CH, CY, CZ, DE, DK, EE, ES, FI,
FR, GB, GR, HR, HU, IE, IS, IT, LT, LU, LV, MC, MT, NL,
NO, PL, PT, RO, SE, SI, SK, TR), OAPI (BF, BJ, CF, CG,
CI, CM, GA, GN, GQ, GW, ML, MR, NE, SN, TD, TG).

— *before the expiration of the time limit for amending the
claims and to be republished in the event of receipt of
amendments*

Published:

— *with international search report*

(88) Date of publication of the international search report:

18 June 2009

A. CLASSIFICATION OF SUBJECT MATTER*E21B 17/04(2006.01)i, E21B 43/10(2006.01)i, E21B 19/06(2006.01)i*

According to International Patent Classification (IPC) or to both national classification and IPC

B. FIELDS SEARCHED

Minimum documentation searched (classification system followed by classification symbols)

IPC: E21B 17/04, E21B 43/10, E21B 19/06

Documentation searched other than minimum documentation to the extent that such documents are included in the fields searched

Korean Utility models and applications for Utility models since 1975

Japanese Utility models and applications for Utility models since 1975

Electronic data base consulted during the international search (name of data base and, where practicable, search terms used)

eKIPASS(KIPO internal) & keywords: pipe connection system

C. DOCUMENTS CONSIDERED TO BE RELEVANT

Category*	Citation of document, with indication, where appropriate, of the relevant passages	Relevant to claim No.
A	US 7090035 B2 (LESKO GERALD) 15 August 2006 See the abstract; figures 1-17; and claims 1-11	1-30
A	WO 03-102350 A2 (GRAY EOT INC.) 11 December 2003 See the abstract; figures 1-17; and claims 1-9	1-30
A	US 6745646 B1 (PIETRAS BERND-GEORG et al.) 8 June 2004 See the abstract; figures 1-12; and claims 1-19	1-30
A	JP 11-210374 A (CUBE CO.) 3 August 1999 See the abstract; figures 1-4; and claims 1-2	1-30
A	US 3592014 A (BROWN WALTER et al.) 13 July 1971 See the abstract; figures 1-6; and claims 1-11	1-30

 Further documents are listed in the continuation of Box C. See patent family annex.

* Special categories of cited documents:

"A" document defining the general state of the art which is not considered to be of particular relevance

"E" earlier application or patent but published on or after the international filing date

"L" document which may throw doubts on priority claim(s) or which is cited to establish the publication date of citation or other special reason (as specified)

"O" document referring to an oral disclosure, use, exhibition or other means

"P" document published prior to the international filing date but later than the priority date claimed

"T" later document published after the international filing date or priority date and not in conflict with the application but cited to understand the principle or theory underlying the invention

"X" document of particular relevance; the claimed invention cannot be considered novel or cannot be considered to involve an inventive step when the document is taken alone

"Y" document of particular relevance; the claimed invention cannot be considered to involve an inventive step when the document is combined with one or more other such documents, such combination being obvious to a person skilled in the art

"&" document member of the same patent family

Date of the actual completion of the international search

30 APRIL 2009 (30.04.2009)

Date of mailing of the international search report

30 APRIL 2009 (30.04.2009)

Name and mailing address of the ISA/KR

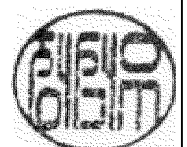
Korean Intellectual Property Office
Government Complex-Daejeon, 139 Seonsa-ro, Seo-gu,
Daejeon 302-701, Republic of Korea

Facsimile No. 82-42-472-7140

Authorized officer

JUNG Sug Woo

Telephone No. 82-42-481-8443



INTERNATIONAL SEARCH REPORT

Information on patent family members

International application No.

PCT/US2008/079283

Patent document cited in search report	Publication date	Patent family member(s)	Publication date
US 7090035 B2	15.08.2006	CA 2456338 A1 US 2005-0173154 A1	28.07.2005 11.08.2005
WO 03-102350 A2	11.12.2003	AU 2003-253616 A1 CA 2487120 A1	19.12.2003 11.12.2003
US 6745646 B1	08.06.2004	AU 2000-59990 A1 CA 2381554 A1 CA 2381554 C DE 60005198 D1 DE 60005198 T2 DE 60030489 T2 EP 1200705 A1 EP 1200705 B1 EP 1357253 A2 EP 1357253 B1 EP 1357253 A3 GB 2352666 A GB 2352667 A GB 9917696 D0 GB 9917697 D0 NO 20020127 A NO 20020127 D0 US 7281451 B2 US 7506564 B2 WO 01-09479 A1	19.02.2001 08.02.2001 01.05.2007 16.10.2003 15.07.2004 04.01.2007 02.05.2002 10.09.2003 29.10.2003 30.08.2006 12.01.2005 07.02.2001 07.02.2001 29.09.1999 29.09.1999 13.03.2002 11.01.2002 16.10.2007 24.03.2009 08.02.2001
JP 11-210374 A	03.08.1999	None	
US 3592014 A	13.07.1971	None	