

(19) World Intellectual Property
Organization
International Bureau



(43) International Publication Date
2 June 2005 (02.06.2005)

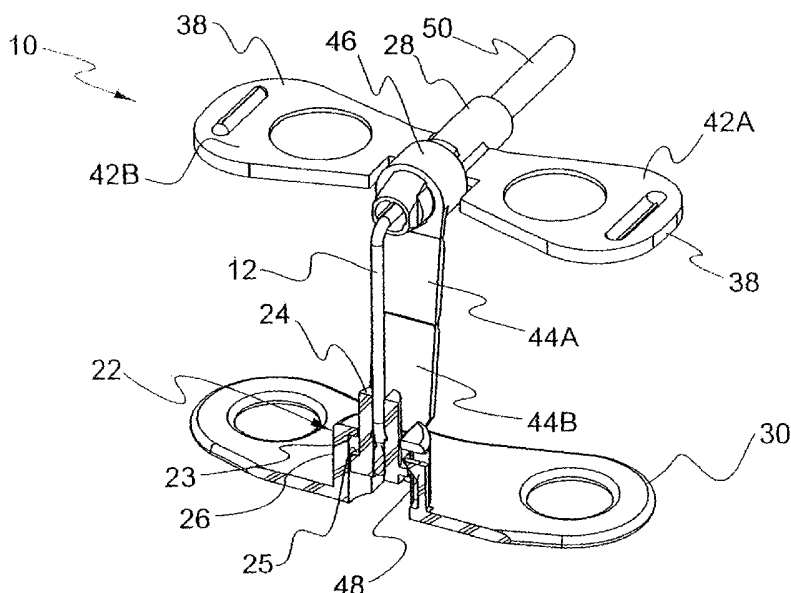
PCT

(10) International Publication Number
WO 2005/049109 A3

- (51) International Patent Classification⁷: **A61M 5/00**
- (21) International Application Number:
PCT/US2004/037779
- (22) International Filing Date:
12 November 2004 (12.11.2004)
- (25) Filing Language: English
- (26) Publication Language: English
- (30) Priority Data:
10/712,570 13 November 2003 (13.11.2003) US
10/919,893 17 August 2004 (17.08.2004) US
- (63) Related by continuation (CON) or continuation-in-part (CIP) to earlier application:
US 10/712,570 (CIP)
Filed on 13 November 2003 (13.11.2003)
- (71) Applicant (for all designated States except US): **SPECIALIZED HEALTH PRODUCTS, INC.** [US/US]; 585 West 500 South, Suite 200, Bountiful, UT 84010-8321 (US).
- (72) Inventors: **THORNE, David**; 585 West 500 South, Bountiful, UT 84010-8321 (US). **SMITH, Daniel**; 585 West 500 South, Bountiful, UT 84010-8321 (US). **FERGUSON, Mark, F.**; 585 West 500 South, Bountiful, UT 84010-8321 (US). **SOLOMON, Donald**; 585 West 500 South, Bountiful, UT 84010-8321 (US).
- (74) Agent: **EVANS, Paul, S.**; 585 West 500 South, Suite 200, Bountiful, UT 84010-8321 (US).
- (81) Designated States (unless otherwise indicated, for every kind of national protection available): AE, AG, AL, AM, AT, AU, AZ, BA, BB, BG, BR, BW, BY, BZ, CA, CH, CN, CO, CR, CU, CZ, DE, DK, DM, DZ, EC, EE, EG, ES, FI, GB, GD, GE, GH, GM, HR, HU, ID, IL, IN, IS, JP, KE, KG, KP, KR, KZ, LC, LK, LR, LS, LT, LU, LV, MA, MD, MG, MK, MN, MW, MX, MZ, NA, NI, NO, NZ, OM, PG, PH, PL, PT, RO, RU, SC, SD, SE, SG, SK, SL, SY, TJ, TM, TN, TR, TT, TZ, UA, UG, US (patent), UZ, VC, VN, YU, ZA, ZM, ZW.
- (84) Designated States (unless otherwise indicated, for every kind of regional protection available): ARIPO (BW, GH, GM, KE, LS, MW, MZ, NA, SD, SL, SZ, TZ, UG, ZM,

[Continued on next page]

(54) Title: SAFETY SHIELD FOR MEDICAL NEEDLES



(57) Abstract: A needle safety apparatus is disclosed which includes an inner bearing disposed within an outer bearing. The inner bearing is moveable to extend telescopically in a first interior space defined by the outer bearing. A second interior space is defined by the inner bearing, while extendable linkage segments connect the hub to the inner bearing. A hub retains the proximal end of a needle, while the distal end of the needle extends through the second interior space. A wedging portion is movable with the inner bearing and pivots to secure the distal end of the needle within the second interior space when the distal end of the needle is retracted therethrough. A latch may be formed in the outer bearing to obstruct the first interior space and prevent the inner bearing from retracting therethrough.

WO 2005/049109 A3



ZW), Eurasian (AM, AZ, BY, KG, KZ, MD, RU, TJ, TM), European (AT, BE, BG, CH, CY, CZ, DE, DK, EE, ES, FI, FR, GB, GR, HU, IE, IS, IT, LU, MC, NL, PL, PT, RO, SE, SI, SK, TR), OAPI (BF, BJ, CF, CG, CI, CM, GA, GN, GQ, GW, ML, MR, NE, SN, TD, TG).

For two-letter codes and other abbreviations, refer to the "Guidance Notes on Codes and Abbreviations" appearing at the beginning of each regular issue of the PCT Gazette.

Published:

— *with international search report*

(88) Date of publication of the international search report:

3 November 2005

INTERNATIONAL SEARCH REPORT

International application No.

PCT/US04/37779

A. CLASSIFICATION OF SUBJECT MATTER

IPC(7) : A61M5/00
 US CL : 604/263

According to International Patent Classification (IPC) or to both national classification and IPC

B. FIELDS SEARCHED

Minimum documentation searched (classification system followed by classification symbols)
 U.S. : 604/263,110,162,111,117,164.08,177,264,272,288.01-288.04

Documentation searched other than minimum documentation to the extent that such documents are included in the fields searched

Electronic data base consulted during the international search (name of data base and, where practicable, search terms used)
 EAST(access tether pivot hinge hinged)

C. DOCUMENTS CONSIDERED TO BE RELEVANT

Category *	Citation of document, with indication, where appropriate, of the relevant passages	Relevant to claim No.
X	US 6,623,458 (WOEHR et al) 23 September 2003, Figures 3a-3c	1,2,8,11-13,19

Further documents are listed in the continuation of Box C.

See patent family annex.

* Special categories of cited documents:		"T"	later document published after the international filing date or priority date and not in conflict with the application but cited to understand the principle or theory underlying the invention
"A"	document defining the general state of the art which is not considered to be of particular relevance	"X"	document of particular relevance; the claimed invention cannot be considered novel or cannot be considered to involve an inventive step when the document is taken alone
"E"	earlier application or patent published on or after the international filing date	"Y"	document of particular relevance; the claimed invention cannot be considered to involve an inventive step when the document is combined with one or more other such documents, such combination being obvious to a person skilled in the art
"L"	document which may throw doubts on priority claim(s) or which is cited to establish the publication date of another citation or other special reason (as specified)	"&"	document member of the same patent family
"O"	document referring to an oral disclosure, use, exhibition or other means		
"P"	document published prior to the international filing date but later than the priority date claimed		

Date of the actual completion of the international search

22 July 2005 (22.07.2005)

Date of mailing of the international search report

11 AUG 2005

Name and mailing address of the ISA/US

Mail Stop PCT, Attn: ISA/US
 Commissioner for Patents
 P.O. Box 1450
 Alexandria, Virginia 22313-1450

Facsimile No. (703) 305-3230

Authorized officer

Cris L. Rodriguez
 Telephone No. 571-272-4964

