

PCT

WORLD INTELLECTUAL PROPE  
International Bu



INTERNATIONAL APPLICATION PUBLISHED UNDER

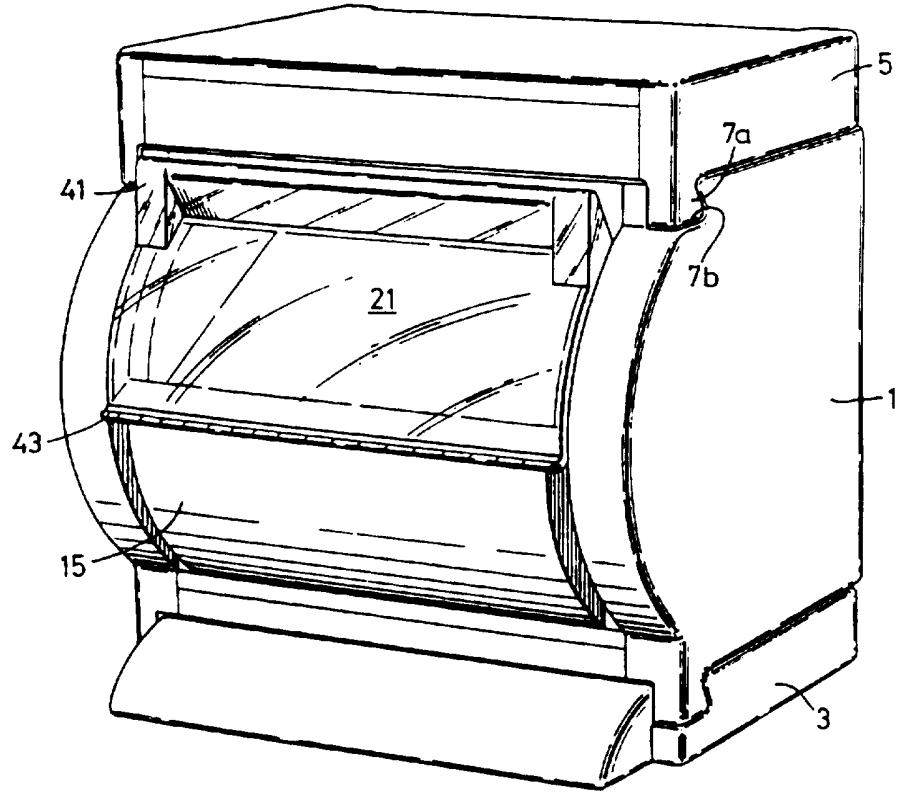
WO 9510964A3

<p>(51) International Patent Classification 6 : <b>F25D 17/06, A47F 3/04</b></p>	<p><b>A3</b></p>	<p>(11) International Publication Number: <b>WO 95/10964</b> (43) International Publication Date: 27 April 1995 (27.04.95)</p>
<p>(21) International Application Number: PCT/GB94/02266 (22) International Filing Date: 17 October 1994 (17.10.94) (30) Priority Data: 9321439.3 18 October 1993 (18.10.93) GB (71) Applicant (for all designated States except US): MARS G.B. LIMITED [GB/GB]; 3D Dundee Road, Slough SL1 4LG (GB). (72) Inventors; and (75) Inventors/Applicants (for US only): WINGATE, Barry [GB/US]; 4934 Bel Escou Drive, San José, CA 95124 (US). PEEPLES, Kathleen, Gay [US/US]; 110 Stratford, Houston, TX 77006 (US). WICKMAN, John, Anthony [US/US]; 10319 Meadowlake Lane, Houston, TX 77042 (US). KENAGHAN, Peter, Francis [GB/GB]; 26 Hornbeam Place, Hook, Hampshire RC27 9RD (GB). MARS, Frank, Edward [US/US]; 6 Margaret Court, Glenmore, PA 19343 (US). (74) Agent: JACKSON, Richard, Eric; Carpmaels &amp; Ransford, 43 Bloomsbury Square, London WC1A 2RA (GB).</p>	<p>(81) Designated States: AM, AT, AU, BB, BG, BR, BY, CA, CH, CN, CZ, DE, DK, EE, ES, FI, GB, GE, HU, JP, KE, KG, KP, KR, KZ, LK, LR, LT, LU, LV, MD, MG, MN, MW, NL, NO, NZ, PL, PT, RO, RU, SD, SE, SI, SK, TJ, TT, UA, US, UZ, VN, European patent (AT, BE, CH, DE, DK, ES, FR, GB, GR, IE, IT, LU, MC, NL, PT, SE), OAPI patent (BF, BJ, CF, CG, CI, CM, GA, GN, ML, MR, NE, SN, TD, TG), ARIPO patent (KE, MW, SD, SZ).</p> <p><b>Published</b> <i>With international search report. Before the expiration of the time limit for amending the claims and to be republished in the event of the receipt of amendments.</i></p> <p>(88) Date of publication of the international search report: 22 February 1996 (22.02.96)</p>	

(54) Title: A CONTROLLED ENVIRONMENT CONTAINER

(57) Abstract

A controlled environment container comprising a base unit (3), a top unit (5) and a modular storage unit (1) disposed vertically between the base unit (3) and the top unit (5), wherein the base unit (3) or the top unit (5) or both includes a temperature control device for controlling the ambient air temperature in the modular storage unit (1) via an air flow path through the modular storage unit (1) and wherein access is obtained to items (25) stored in the container via an aperture in a side of the modular storage unit (1). Furthermore, seals (27, 35) and flanges (29, 37, 43) are provided, in conjunction with a rotating drum (15), to prevent unwanted egress of cool air, for example, from the container and the unwanted ingress of warm air, for example, from outside the container.



**FOR THE PURPOSES OF INFORMATION ONLY**

Codes used to identify States party to the PCT on the front pages of pamphlets publishing international applications under the PCT.

AT	Austria	GB	United Kingdom	MR	Mauritania
AU	Australia	GE	Georgia	MW	Malawi
BB	Barbados	GN	Guinea	NE	Niger
BE	Belgium	GR	Greece	NL	Netherlands
BF	Burkina Faso	HU	Hungary	NO	Norway
BG	Bulgaria	IE	Ireland	NZ	New Zealand
BJ	Benin	IT	Italy	PL	Poland
BR	Brazil	JP	Japan	PT	Portugal
BY	Belarus	KE	Kenya	RO	Romania
CA	Canada	KG	Kyrgyzstan	RU	Russian Federation
CF	Central African Republic	KP	Democratic People's Republic of Korea	SD	Sudan
CG	Congo	KR	Republic of Korea	SE	Sweden
CH	Switzerland	KZ	Kazakhstan	SI	Slovenia
CI	Côte d'Ivoire	LI	Liechtenstein	SK	Slovakia
CM	Cameroon	LK	Sri Lanka	SN	Senegal
CN	China	LU	Luxembourg	TD	Chad
CS	Czechoslovakia	LV	Latvia	TG	Togo
CZ	Czech Republic	MC	Monaco	TJ	Tajikistan
DE	Germany	MD	Republic of Moldova	TT	Trinidad and Tobago
DK	Denmark	MG	Madagascar	UA	Ukraine
ES	Spain	ML	Mali	US	United States of America
FI	Finland	MN	Mongolia	UZ	Uzbekistan
FR	France			VN	Viet Nam
GA	Gabon				

# INTERNATIONAL SEARCH REPORT

International Application No  
PCT/GB 94/02266

**A. CLASSIFICATION OF SUBJECT MATTER**  
IPC 6 F25D17/06 A47F3/04

According to International Patent Classification (IPC) or to both national classification and IPC

**B. FIELDS SEARCHED**  
Minimum documentation searched (classification system followed by classification symbols)  
IPC 6 F25D A47F

Documentation searched other than minimum documentation to the extent that such documents are included in the fields searched

Electronic data base consulted during the international search (name of data base and, where practical, search terms used)

**C. DOCUMENTS CONSIDERED TO BE RELEVANT**

Category *	Citation of document, with indication, where appropriate, of the relevant passages	Relevant to claim No.
X	EP,A,0 334 414 (WHIRLPOOL INT. B.V.) 27 September 1989 see abstract; figures 1-3	1,2,4-6
A	see column 2, line 27 - column 3, line 6 see column 4, line 49 - column 5, line 8 ---	3
A	EP,A,0 201 182 (T.I. DOMESTIC APPLIANCES LTD.) 12 November 1986 see abstract; figures 1-4,8 see page 14, paragraph 4 see page 15, paragraph 2 ---	1,2,5,6
A	DE,C,10 36 878 (GENERAL MOTORS CORP.) 21 August 1958 see figure 12 ---	3
	-/--	

Further documents are listed in the continuation of box C.       Patent family members are listed in annex.

\* Special categories of cited documents :

<p>'A' document defining the general state of the art which is not considered to be of particular relevance</p> <p>'E' earlier document but published on or after the international filing date</p> <p>'L' document which may throw doubts on priority claim(s) or which is cited to establish the publication date of another citation or other special reason (as specified)</p> <p>'O' document referring to an oral disclosure, use, exhibition or other means</p> <p>'P' document published prior to the international filing date but later than the priority date claimed</p>	<p>'T' later document published after the international filing date or priority date and not in conflict with the application but cited to understand the principle or theory underlying the invention</p> <p>'X' document of particular relevance; the claimed invention cannot be considered novel or cannot be considered to involve an inventive step when the document is taken alone</p> <p>'Y' document of particular relevance; the claimed invention cannot be considered to involve an inventive step when the document is combined with one or more other such documents, such combination being obvious to a person skilled in the art.</p> <p>'&amp;' document member of the same patent family</p>
--	--

3

Date of the actual completion of the international search <p style="text-align: center;">17 January 1996</p>	Date of mailing of the international search report <p style="text-align: center;">23.01.96</p>
---	---

Name and mailing address of the ISA European Patent Office, P.B. 5818 Patentlaan 2 NL - 2280 HV Rijswijk Tel. (+ 31-70) 340-2040, Tx. 31 651 epo nl, Fax: (+ 31-70) 340-3016	Authorized officer <p style="text-align: center;">Jones, C</p>
--	---

# INTERNATIONAL SEARCH REPORT

International Application No  
PCT/GB 94/02266

C.(Continuation) DOCUMENTS CONSIDERED TO BE RELEVANT		
Category *	Citation of document, with indication, where appropriate, of the relevant passages	Relevant to claim No.
A	CH,A,158 778 (H. EISINGER) 16 February 1933 see figures 1,2 ----	10
A	US,A,4 662 186 (PARK) 5 May 1987 see abstract; figures 1-4 see column 4, line 32 - column 5, line 37 ----	11
A	US,A,2 145 892 (ROBERTS) 7 February 1939 see the whole document -----	11

## INTERNATIONAL SEARCH REPORT

International application No.

PCT/GB94/02266

**Box I Observations where certain claims were found unsearchable (Continuation of item 1 of first sheet)**

This international search report has not been established in respect of certain claims under Article 17(2)(a) for the following reasons:

1.  Claims Nos.:  
because they relate to subject matter not required to be searched by this Authority, namely:
  
2.  Claims Nos.:  
because they relate to parts of the international application that do not comply with the prescribed requirements to such an extent that no meaningful international search can be carried out, specifically:
  
3.  Claims Nos.:  
because they are dependent claims and are not drafted in accordance with the second and third sentences of Rule 6.4(a).

**Box II Observations where unity of invention is lacking (Continuation of item 2 of first sheet)**

This International Searching Authority found multiple inventions in this international application, as follows:

1. Claims: 1-10, 20-21 A controlled environment modular stackable storage unit
2. Claims: 11-19 A controlled environment container comprising a pivoted drum

1.  As all required additional search fees were timely paid by the applicant, this international search report covers all searchable claims.
2.  As all searchable claims could be searched without effort justifying an additional fee, this Authority did not invite payment of any additional fee.
3.  As only some of the required additional search fees were timely paid by the applicant, this international search report covers only those claims for which fees were paid, specifically claims Nos.:
4.  No required additional search fees were timely paid by the applicant. Consequently, this international search report is restricted to the invention first mentioned in the claims; it is covered by claims Nos.:

**Remark on Protest**

- The additional search fees were accompanied by the applicant's protest.
- No protest accompanied the payment of additional search fees.

# INTERNATIONAL SEARCH REPORT

Information on patent family members

International Application No

PCT/GB 94/02266

Patent document cited in search report	Publication date	Patent family member(s)	Publication date
EP-A-334414	27-09-89	NONE	
EP-A-201182	12-11-86	EP-A- 0201183 US-A- 4671074	12-11-86 09-06-87
DE-C-1036878		NONE	
CH-A-158778		NONE	
US-A-4662186	05-05-87	JP-A- 62098177	07-05-87
US-A-2145892	07-02-39	NONE	