

[54] **MAGNIFICATION LENS FOR DATE DIAL IN A WRISTWATCH**

[76] Inventor: **Joseph Rinaldi, 38 Old Colony Dr., Watertown, Conn. 06795**

[21] Appl. No.: **423,887**

[22] Filed: **Sep. 27, 1982**

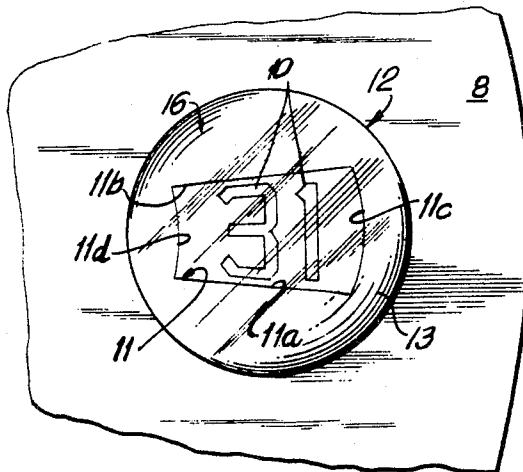
[51] Int. Cl.³ **G02B 27/02**
[52] U.S. Cl. **350/114**

[57] **ABSTRACT**

A magnification lens (12) is disclosed which fits into and is retained in a window (11) in the dial of a calendar wristwatch and is arranged to magnify indicia (10) on a date ring rotatable beneath the window.

**4 Claims, 1 Sheet Drawing,
7 Pages Specification**

The file of this unexamined application may be inspected and copies thereof may be purchased (849 O.G. 1221, Apr. 9, 1968).



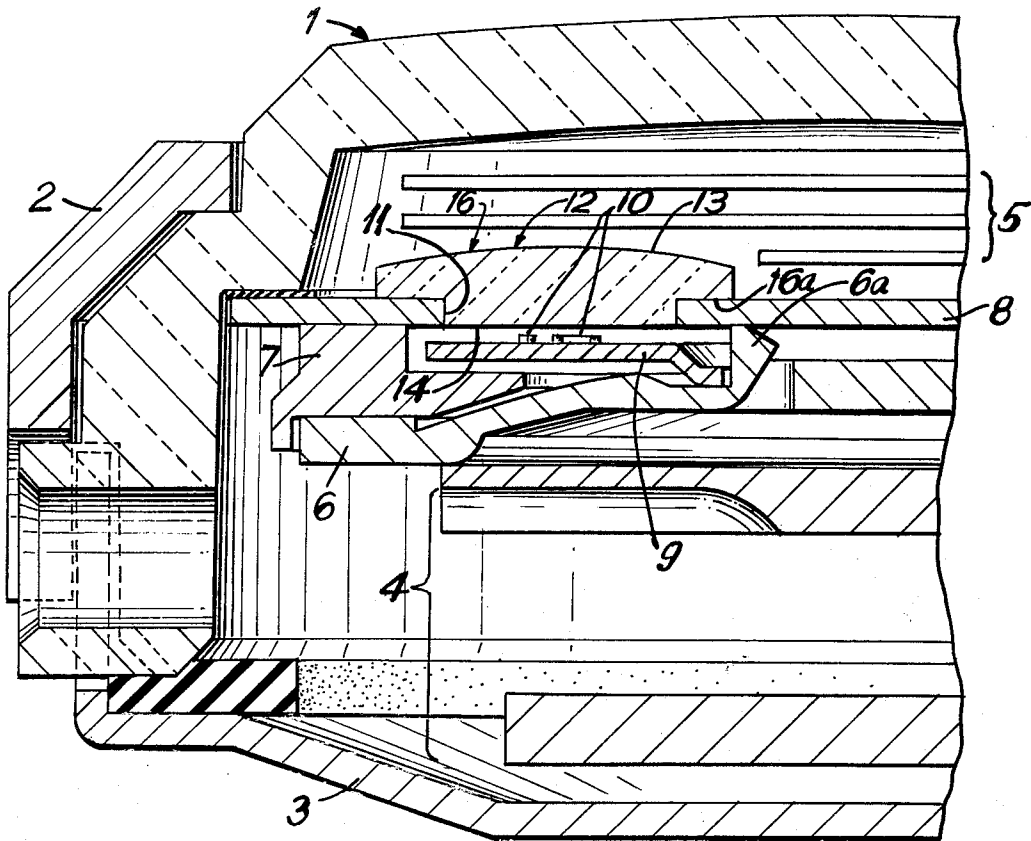


FIG. 1

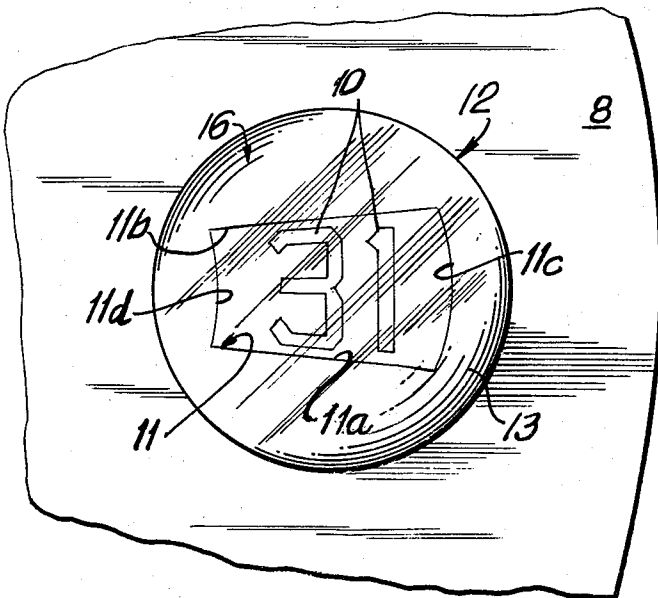


FIG. 2

FIG. 3

