

United States Patent [19]

Satoh et al.

[11] Patent Number: Des. 313,440

[45] Date of Patent: ** Jan. 1, 1991

[54] **MOTOR DRIVEN TOY CACTUS**
[75] Inventors: **Yasuta Satoh, Nagareyama; Shinya Saitoh, Tokyo, both of Japan**
[73] Assignee: **Takara Co., Ltd., Tokyo, Japan**
[**] Term: **14 Years**
[21] Appl. No.: **406,128**
[22] Filed: **Sep. 12, 1989**
[30] **Foreign Application Priority Data**

Jun. 12, 1989 [JP] Japan 1-21654
[52] U.S. Cl. **D21/150; D21/155**
[58] **Field of Search** D21/59, 160, 159, 166,
D21/109; 428/24, 27; 446/175, 303; 272/8 D;
40/411; D11/117, 160, 152, 144

[56] **References Cited**
U.S. PATENT DOCUMENTS
D. 65,025 6/1924 Wade D21/155
D. 193,155 7/1962 Goldman et al. D11/117

D. 223,313 4/1972 White D11/117
D. 295,653 5/1988 Colclasure D21/155
4,903,424 2/1990 Satoh et al. 428/24

OTHER PUBLICATIONS

Wild Flowers of America, Rickett, Plate 233, Cactus.

Primary Examiner—Charles A. Rademaker
Attorney, Agent, or Firm—Price, Gess & Ubell

[57] CLAIM

The ornamental design for a motor driven toy cactus, as shown and described.

DESCRIPTION

FIG. 1 is a front perspective view of a motor driven toy cactus showing our new design;
FIG. 2 is a front elevational view thereof;
FIG. 3 is a rear elevational view thereof;
FIG. 4 is a top plan view thereof;
FIG. 5 is a bottom plan view thereof;
FIG. 6 is a right side elevational view thereof; and
FIG. 7 is a left side elevational view thereof.

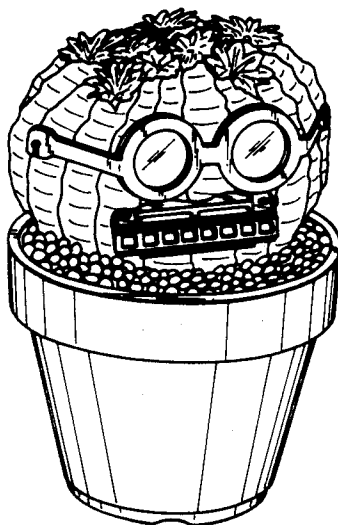


FIG. 1

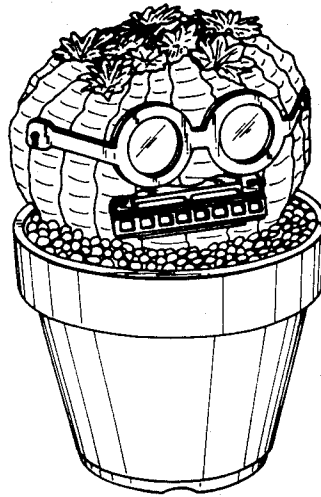


FIG. 2

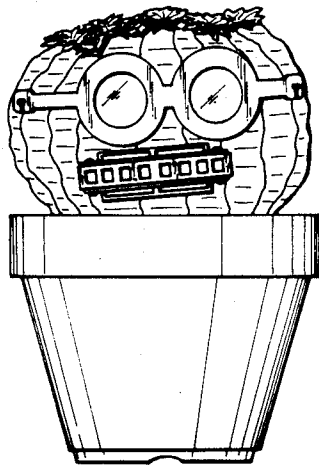


FIG. 3

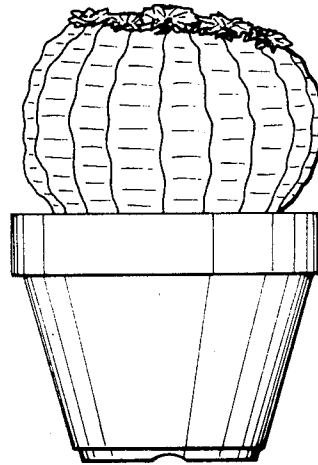


FIG. 4



FIG. 5

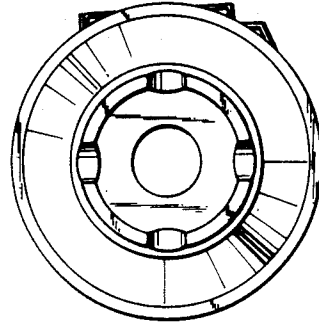


FIG. 6

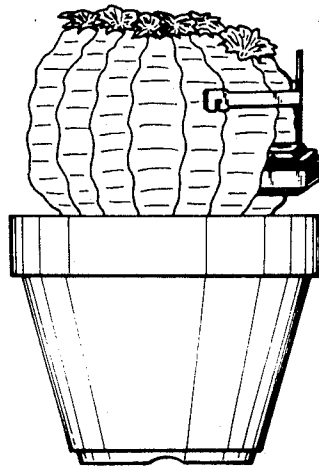


FIG. 7

