



US00D489416S

(12) **United States Design Patent** (10) **Patent No.:** **US D489,416 S**
Chao (45) **Date of Patent:** **** May 4, 2004**

(54) **LOWER CASE FOR PALM-TOP TV GAME** 6,402,620 B1 * 6/2002 Naghi 273/48 B
6,422,944 B1 * 7/2002 Naghi 463/47
(76) Inventor: **Chang Chih Chao**, Fl. 8, No. 118, Sec. 5, Nanking E. Rd., Taipei (TW) D464,996 S * 10/2002 Hussaini et al. D21/333

(**) Term: **14 Years**

(21) Appl. No.: **29/171,480**

(22) Filed: **Nov. 21, 2002**

(51) **LOC (7) Cl.** **21-01**

(52) **U.S. Cl.** **D21/333**

(58) **Field of Search** D21/324, 333;
D14/400, 401, 496; 273/148 B; 463/1,
29-35, 46, 47; 345/156, 905, 161

(56) **References Cited**

U.S. PATENT DOCUMENTS

D414,484 S * 9/1999 Oikawa D14/400
D415,145 S * 10/1999 Oikawa et al. D14/400
D422,996 S * 4/2000 Alviar et al. D14/401
6,342,009 B1 * 1/2002 Soma 273/148 B

* cited by examiner

Primary Examiner—Prabhakar Deshmukh

(74) *Attorney, Agent, or Firm*—W. Wayne Liauh

(57) **CLAIM**

The ornamental design for lower case for palm-top TV game, as shown and described.

DESCRIPTION

FIG. 1 is a perspective view of a lower case for palm-top TV game showing my design;

FIG. 2 is a front view thereof;

FIG. 3 is a rear view thereof;

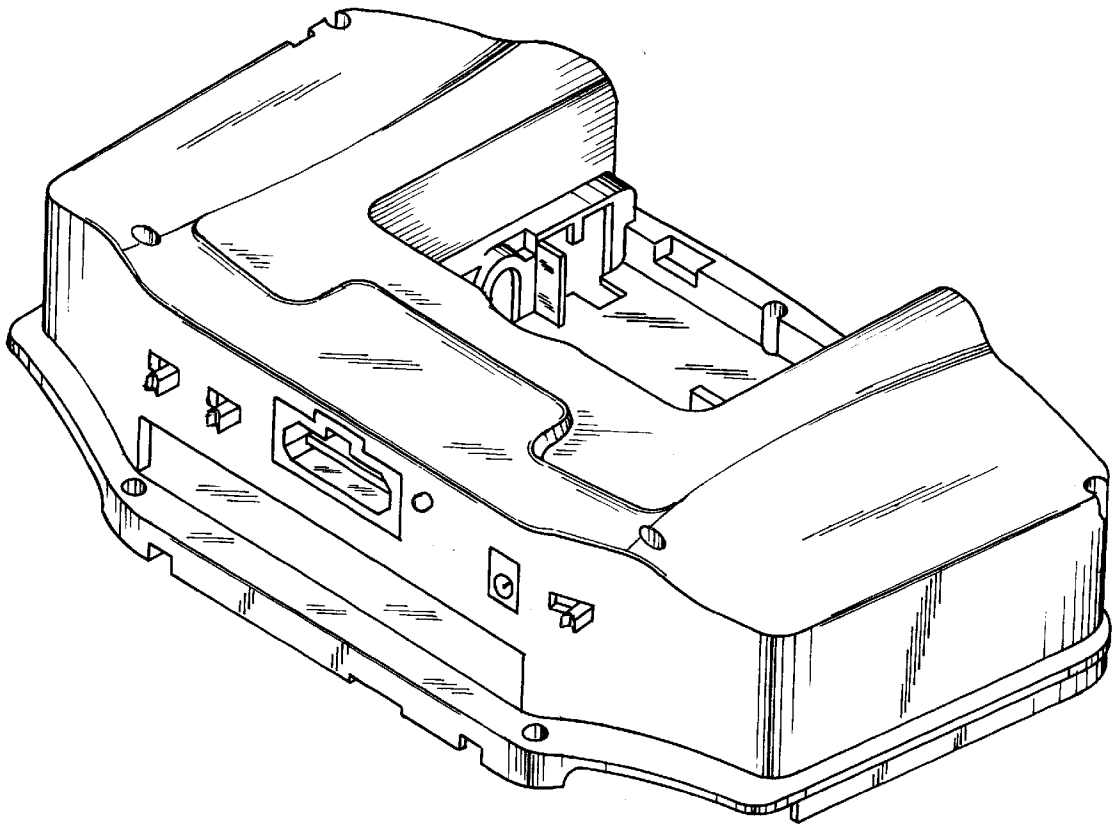
FIG. 4 is a left side view thereof;

FIG. 5 is a right side view thereof;

FIG. 6 is a top view thereof; and,

FIG. 7 is a bottom view thereof.

1 Claim, 4 Drawing Sheets



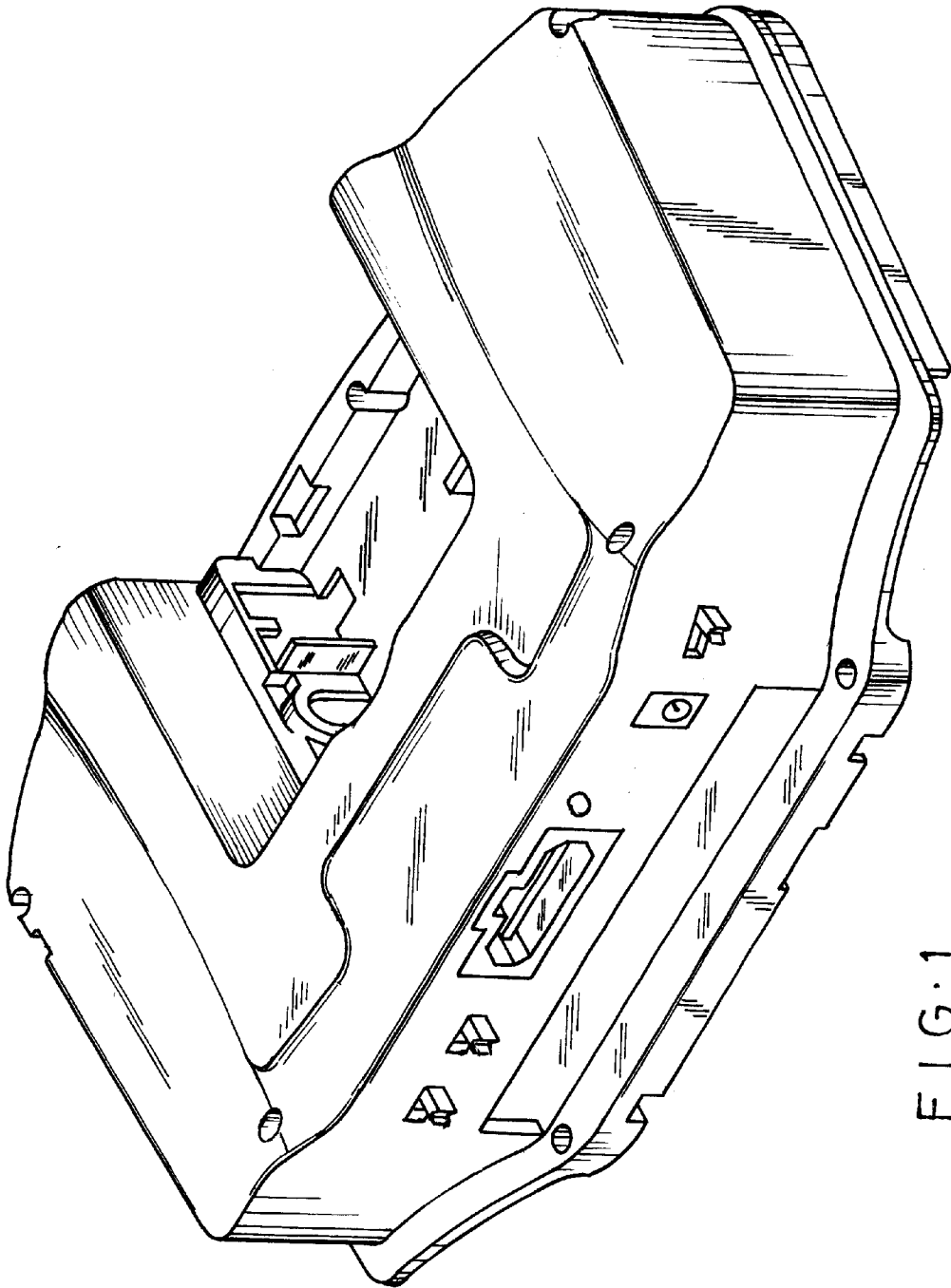


FIG. 1

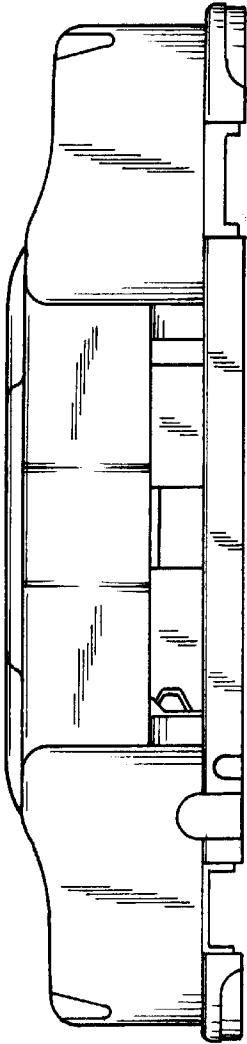


FIG. 3

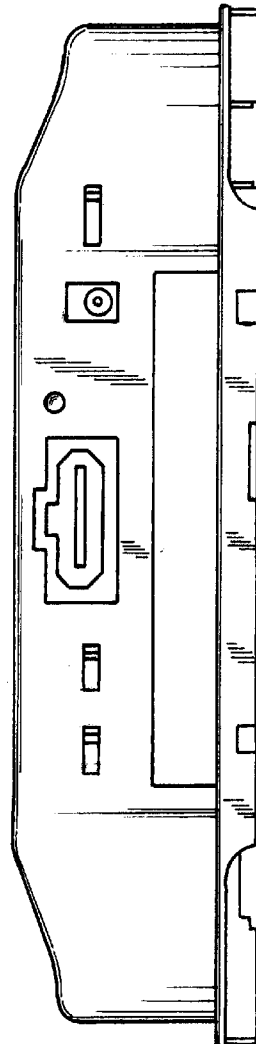


FIG. 2

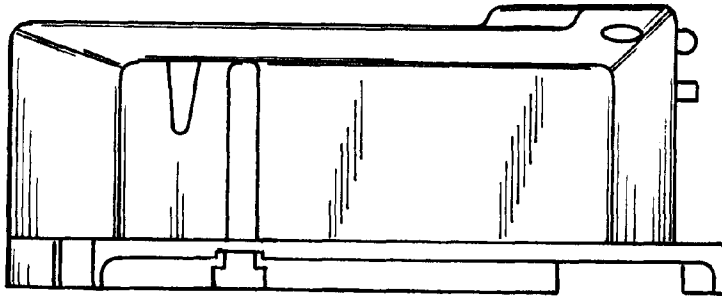


FIG. 4

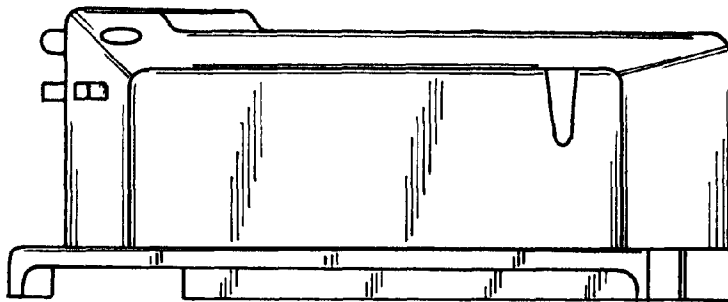


FIG. 5

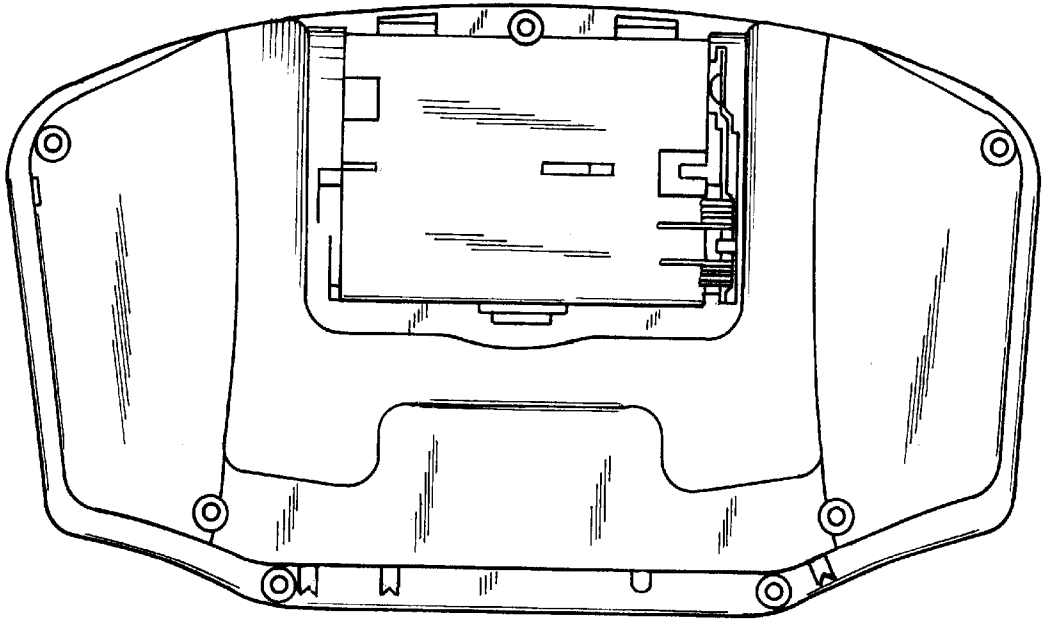


FIG. 6

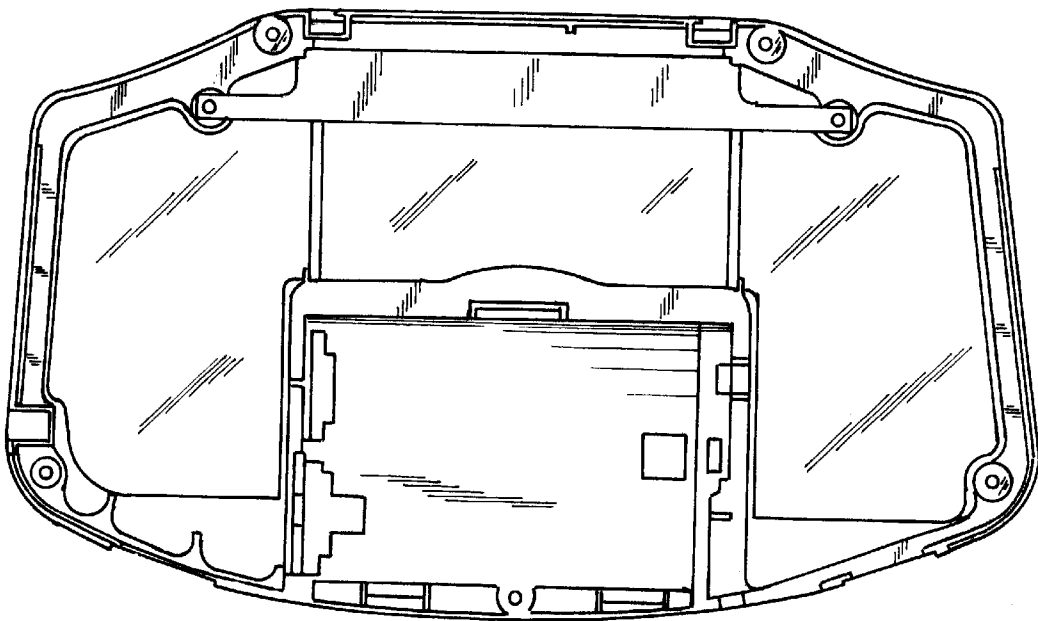


FIG. 7