

Abstract

**Cutting Insert and Cutting Edge Replacement-Type Rotating
Cutting Instrument**

5 An objective of the present invention is to provide a cutting
insert (1) which is suitable for 90° shoulder cutting. A cutting
insert (1) comprises: two first and second end faces (2, 3); a
circumference side face (4) which extends therebetween; and a
cutting blade (6) which is formed at an intersection ridgeline
10 part of the first end face and the circumference side face. The
cutting blade (6) is formed such that the first end face (2)
functions as a rake face and a portion of the circumference side
face (4) functions as a flank face. Side face parts (15) of the
circumference side face, which are adjacent to at least a portion
15 the cutting blade (6), comprise, in order from the first end face
side toward the second end face side, a first flank face part
(18) which is adjacent to the cutting blade, a second flank face
part (19), a third flank face part (20), and a fourth flank face
part (21).

20 **Fig. 1**

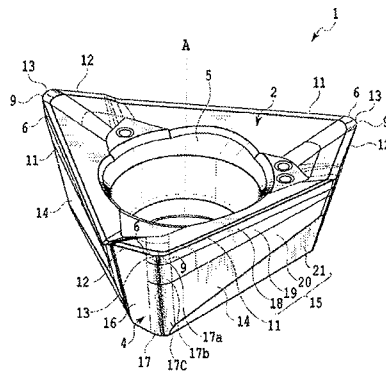


FIG.1

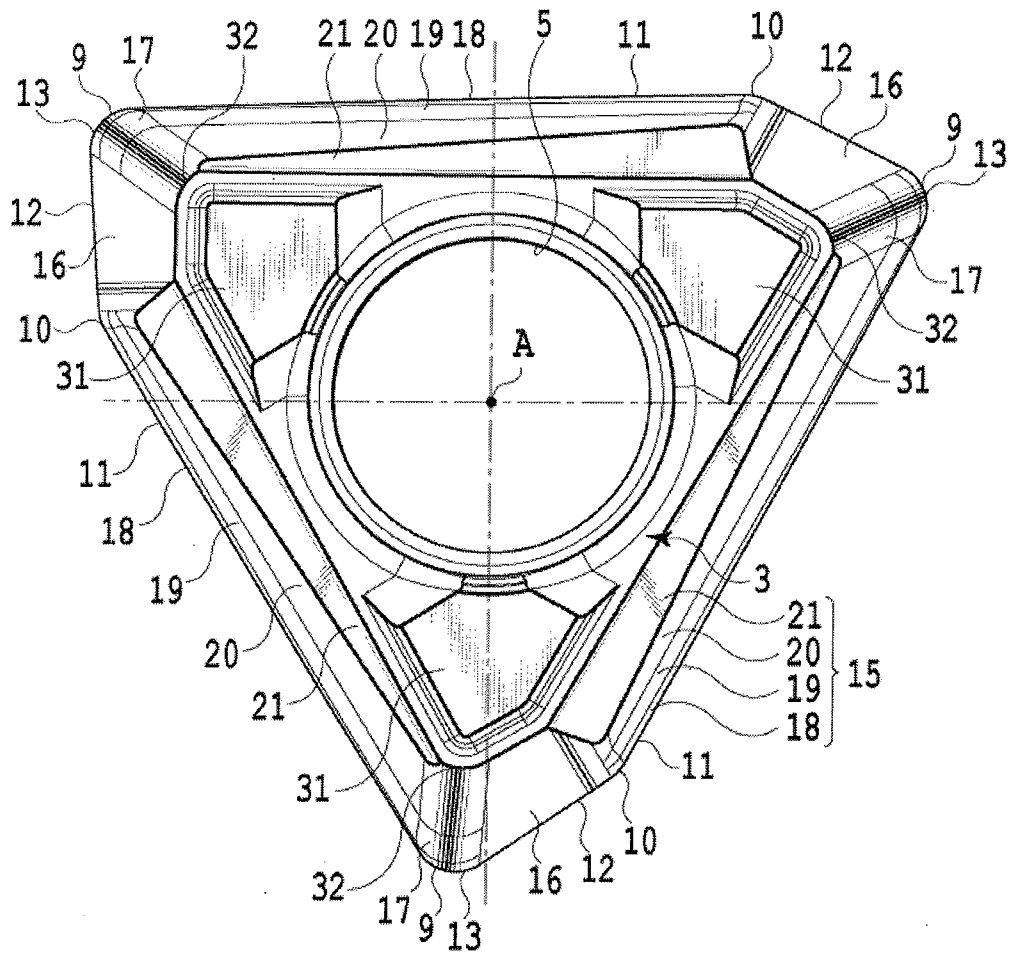


FIG.4

Aparna
APARNA KAREER
OBHAN & ASSOCIATES
AGENT FOR THE APPLICANTS

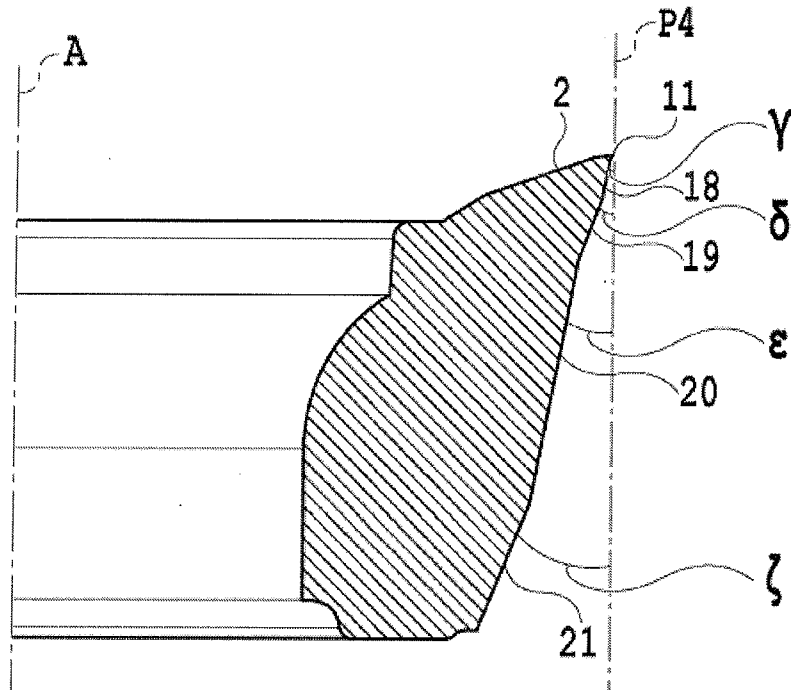


FIG.5A

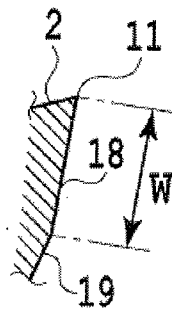


FIG.5B

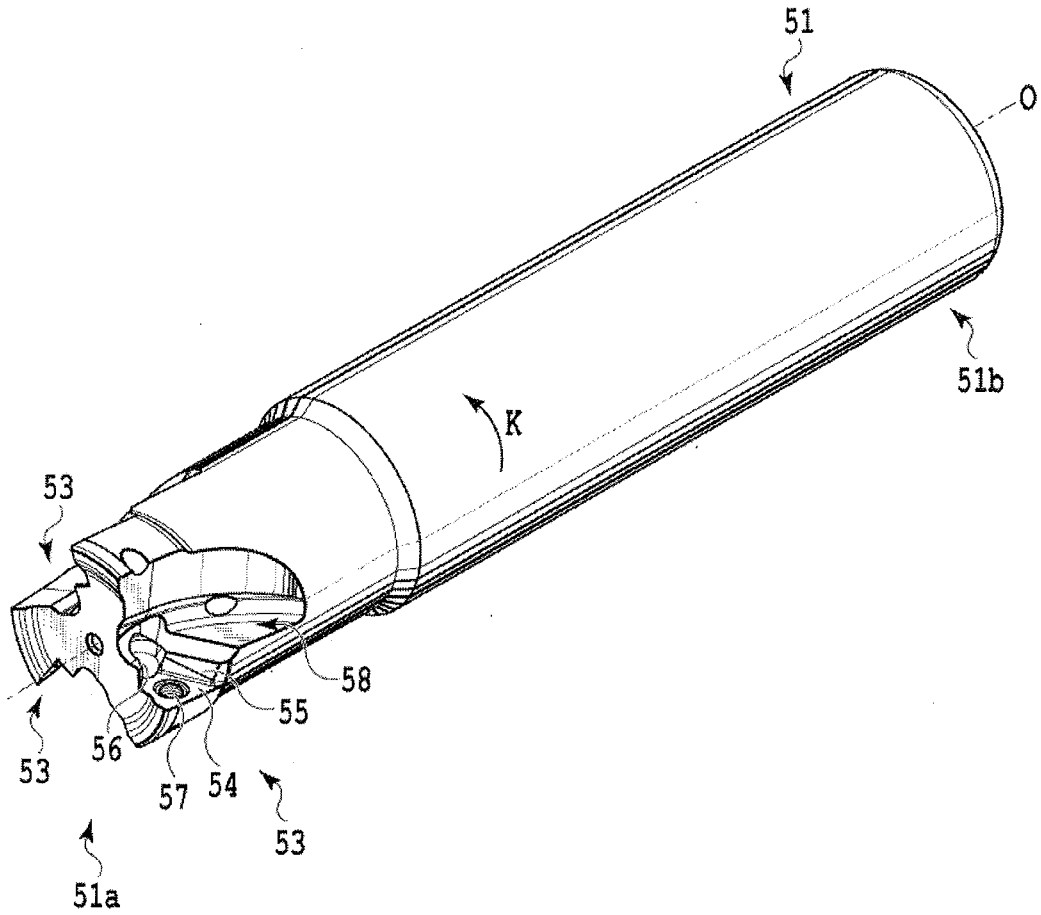


FIG. 6

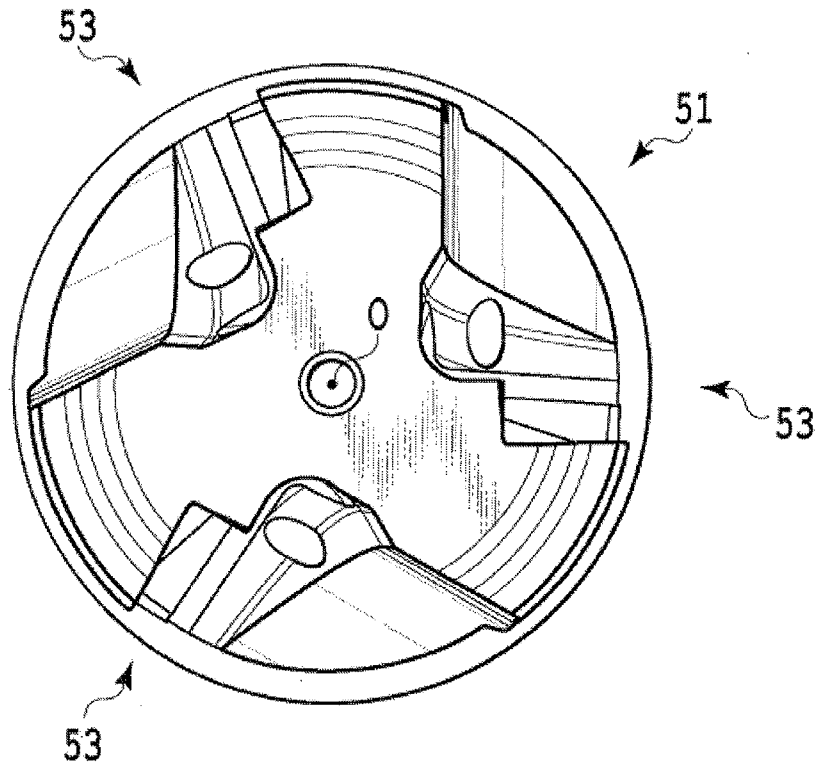


FIG.7

5

Aparna
APARNA KAREER
OBHAN & ASSOCIATES
AGENT FOR THE APPLICANTS

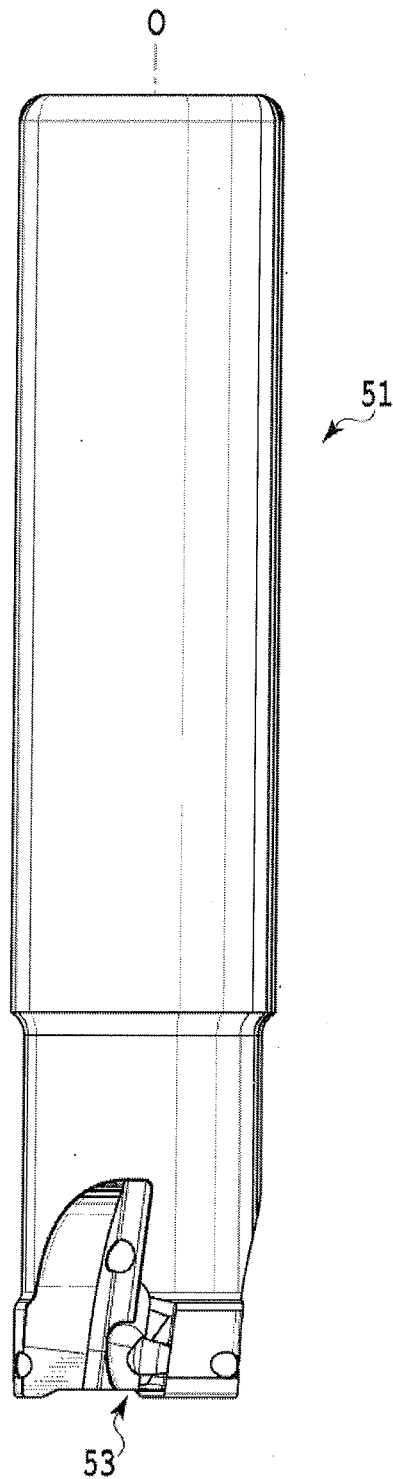


FIG.8

Kareer
APARNA KAREER
OBHAN & ASSOCIATES
AGENT FOR THE APPLICANTS

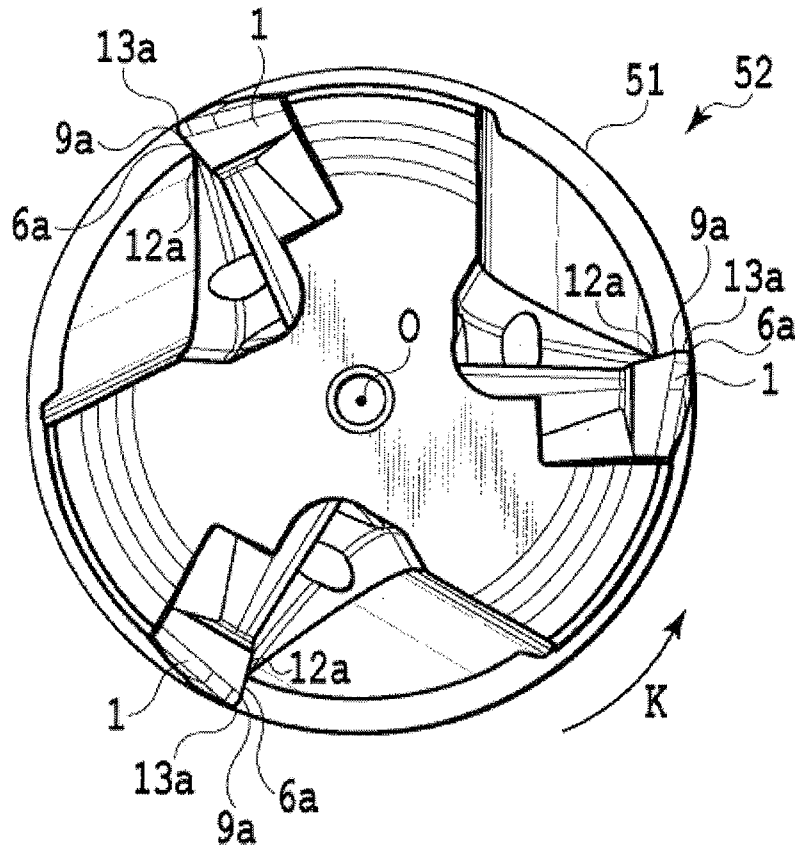


FIG.10

5

Aparna
APARNA KAREER
OBHAN & ASSOCIATES
AGENT FOR THE APPLICANTS

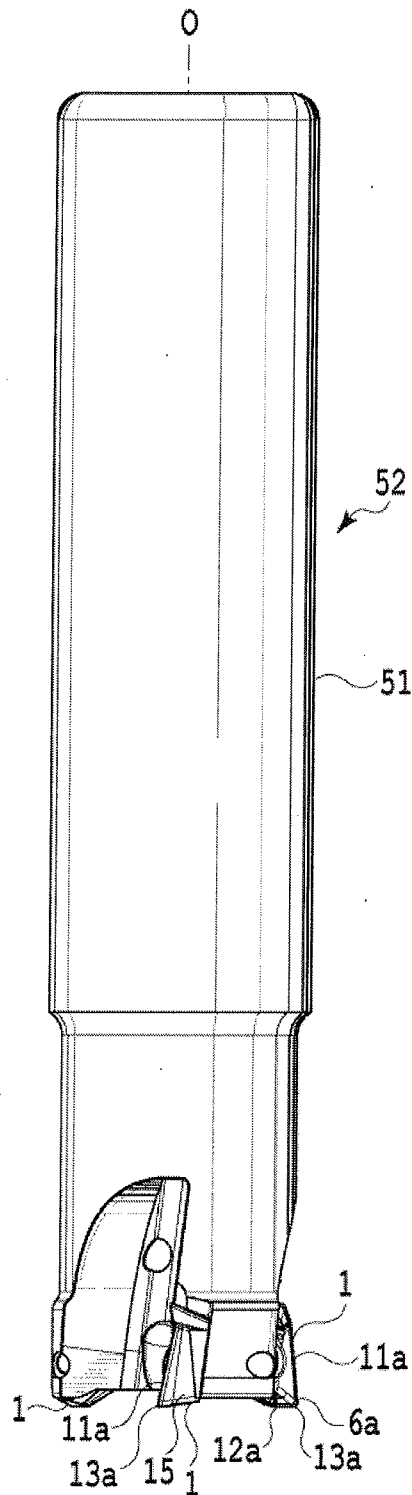


FIG.11

Handwritten signature
APARNA KAREER
OBHAN & ASSOCIATES
AGENT FOR THE APPLICANTS