



(51) International Patent Classification:

B65H 75/14 (2006.01) *B65H 75/34* (2006.01)
B65H 75/18 (2006.01) *H02G 11/02* (2006.01)

(21) International Application Number:

PCT/US2011/046228

(22) International Filing Date:

2 August 2011 (02.08.2011)

(25) Filing Language:

English

(26) Publication Language:

English

(30) Priority Data:

61/370,070 2 August 2010 (02.08.2010) US
61/488,572 20 May 2011 (20.05.2011) US

(71) Applicant (for all designated States except US): **ADC TELECOMMUNICATIONS, INC.** [US/US]; 13625 Technology Drive, Eden Prairie, MN 55344-2252 (US).

(72) Inventors; and

(75) Inventors/Applicants (for US only): **TORMAN, Nicholas** [US/US]; 17197 Fairmeadow Way, Farmington, MN 55024 (US). **KIDMAN, Jeffrey, Thomas** [US/US]; 4060

West 144th Street, Savage, MN 55378 (US). **SMITH, Trevor, D.** [US/US]; 18790 Vogel Farm Trail, Eden Prairie, MN 55347 (US). **LEBLANC, Thomas, G.** [US/US]; 246A Worcester Road, Westminster, MA 01473 (US). **MARCOULLER, Thomas** [US/US]; 2064 Eaglewood Drive, Shakopee, MN 55379 (US).

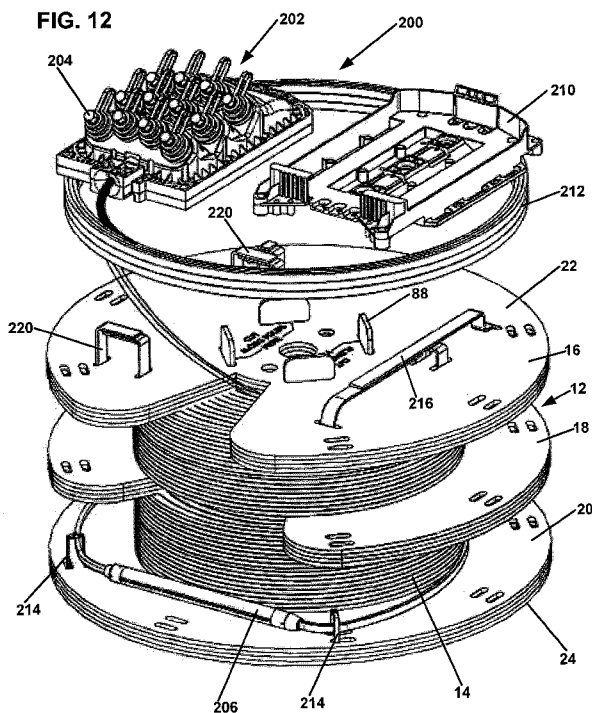
(74) Agent: **SCHMALTZ, David, G.**; Merchant & Gould P.C., P.O. Box 2903, Minneapolis, MN 55402-0903 (US).

(81) Designated States (unless otherwise indicated, for every kind of national protection available): AE, AG, AL, AM, AO, AT, AU, AZ, BA, BB, BG, BH, BR, BW, BY, BZ, CA, CH, CL, CN, CO, CR, CU, CZ, DE, DK, DM, DO, DZ, EC, EE, EG, ES, FI, GB, GD, GE, GH, GM, GT, HN, HR, HU, ID, IL, IN, IS, JP, KE, KG, KM, KN, KP, KR, KZ, LA, LC, LK, LR, LS, LT, LU, LY, MA, MD, ME, MG, MK, MN, MW, MX, MY, MZ, NA, NG, NI, NO, NZ, OM, PE, PG, PH, PL, PT, RO, RS, RU, SC, SD, SE, SG, SK, SL, SM, ST, SV, SY, TH, TJ, TM, TN, TR, TT, TZ, UA, UG, US, UZ, VC, VN, ZA, ZM, ZW.

(84) Designated States (unless otherwise indicated, for every kind of regional protection available): ARIPO (BW, GH, GM, KE, LR, LS, MW, MZ, NA, SD, SL, SZ, TZ, UG,

[Continued on next page]

(54) Title: CABLE SPOOL ASSEMBLY



(57) Abstract: A spool assembly includes a drum having a first axial end and an oppositely disposed second axial end. The drum includes an inner surface that defines a bore that extends through the first and second axial ends. A drum support is disposed in the bore of the drum. The drum support includes a first end and an oppositely disposed second end. The drum support has an exterior surface. The exterior surface of the drum support and the inner surface of the drum define a plurality of channels. A first flange is engaged to the first end of the drum support. A second flange is engaged to the second end of the drum support.

WO 2012/018787 A3



ZM, ZW), Eurasian (AM, AZ, BY, KG, KZ, MD, RU, TJ, TM), European (AL, AT, BE, BG, CH, CY, CZ, DE, DK, EE, ES, FI, FR, GB, GR, HR, HU, IE, IS, IT, LT, LU, LV, MC, MK, MT, NL, NO, PL, PT, RO, RS, SE, SI, SK, SM, TR), OAPI (BF, BJ, CF, CG, CI, CM, GA, GN, GQ, GW, ML, MR, NE, SN, TD, TG).

— *before the expiration of the time limit for amending the claims and to be republished in the event of receipt of amendments (Rule 48.2(h))*

(88) Date of publication of the international search report:

31 May 2012

Published:

— *with international search report (Art. 21(3))*

A. CLASSIFICATION OF SUBJECT MATTER*B65H 75/14(2006.01)i, B65H 75/18(2006.01)i, B65H 75/34(2006.01)i, H02G 11/02(2006.01)i*

According to International Patent Classification (IPC) or to both national classification and IPC

B. FIELDS SEARCHED

Minimum documentation searched (classification system followed by classification symbols)

B65H 75/14; B65H 65/00; B65H 75/50; B65H 75/22

Documentation searched other than minimum documentation to the extent that such documents are included in the fields searched

Korean utility models and applications for utility models

Japanese utility models and applications for utility models

Electronic data base consulted during the international search (name of data base and, where practicable, search terms used)

eKOMPASS(KIPO internal) & Keywords:spool, groove, cable, drum, terminal

C. DOCUMENTS CONSIDERED TO BE RELEVANT

Category*	Citation of document, with indication, where appropriate, of the relevant passages	Relevant to claim No.
X	JP 05-061178 U (JUNKOSHA INC.) 10 August 1993	1-6
Y	See abstract, paragraphs [0003] - [0014], figures 1,5.	21,24-25
Y	US 4,451,013 A (BEDROSIAN, ELLIOT P.) 29 May 1984 See abstract; column 2, lines 7 - 16; figure 5.	21,24-25
A	JP 07-172706 A (SUMITOMO ELECTRIC IND LTD) 11 July 1995 See abstract, paragraph [0020], figures 1,4.	1-36
A	WO 94-22755 A1 (AUPEL S.A. et al.) 13 October 1994 See the abstract; page 3, lines 1 - 28; figures 1-3.	1-36

 Further documents are listed in the continuation of Box C. See patent family annex.

* Special categories of cited documents:

"A" document defining the general state of the art which is not considered to be of particular relevance

"E" earlier application or patent but published on or after the international filing date

"L" document which may throw doubts on priority claim(s) or which is cited to establish the publication date of citation or other special reason (as specified)

"O" document referring to an oral disclosure, use, exhibition or other means

"P" document published prior to the international filing date but later than the priority date claimed

"T" later document published after the international filing date or priority date and not in conflict with the application but cited to understand the principle or theory underlying the invention

"X" document of particular relevance; the claimed invention cannot be considered novel or cannot be considered to involve an inventive step when the document is taken alone

"Y" document of particular relevance; the claimed invention cannot be considered to involve an inventive step when the document is combined with one or more other such documents, such combination being obvious to a person skilled in the art

"&" document member of the same patent family

Date of the actual completion of the international search

19 MARCH 2012 (19.03.2012)

Date of mailing of the international search report

19 MARCH 2012 (19.03.2012)

Name and mailing address of the ISA/KR

Korean Intellectual Property Office
Government Complex-Daejeon, 189 Cheongsa-ro,
Seo-gu, Daejeon 302-701, Republic of Korea

Facsimile No. 82-42-472-7140

Authorized officer

KIM, JAE CHUL

Telephone No. 82-42-481-5619



INTERNATIONAL SEARCH REPORT

Information on patent family members

International application No.

PCT/US2011/046228

Patent document cited in search report	Publication date	Patent family member(s)	Publication date
JP 05-061178 U	10.08.1993	JP H0-561178 U	10.08.1993
US 4451013A A	29.05.1984	None	
JP 07-172706 A	11.07.1995	JP 2683496 B2	26.11.1997
WO 94-22755 A1	13.10.1994	AT 160130 T	15.11.1997
		AU 6441094 A	24.10.1994
		CA 2159725 A1	13.10.1994
		DE 69406784 D1	18.12.1997
		EP 0697991 A1	28.02.1996
		EP 0697991 B1	12.11.1997
		FI 933049 D0	02.07.1993
		NO 303334 B1	29.06.1998
		NO 953532 A	03.10.1995
		WO 94-22755 A1	13.10.1994