



US00D613986S

(12) **United States Design Patent**
Quick

(10) **Patent No.:** **US D613,986 S**

(45) **Date of Patent:** **** Apr. 20, 2010**

(54) **INFANT BED SAFETY SHEET**

(76) Inventor: **Gregory Quick**, 407 Charles St.,
Goldsboro, NC (US) 27530

(**) Term: **14 Years**

(21) Appl. No.: **29/339,107**

(22) Filed: **Jun. 24, 2009**

(51) **LOC (9) Cl.** **06-09**

(52) **U.S. Cl.** **D6/596**

(58) **Field of Classification Search** **D6/331,**
D6/390, 503, 595-605; 5/93.1, 424, 425,
5/482, 486, 495-499, 663, 726, 945, 946

See application file for complete search history.

(56) **References Cited**

U.S. PATENT DOCUMENTS

3,321,779	A *	5/1967	Kaufman et al.	5/93.1
3,803,646	A *	4/1974	Newerowski	5/496
3,877,090	A *	4/1975	Schutz	5/93.1
4,670,923	A *	6/1987	Gabriel et al.	5/424
5,010,611	A	4/1991	Mallett	
5,577,276	A	11/1996	Nicholson et al.	
5,749,112	A	5/1998	Metzler	
5,806,112	A	9/1998	Harms	
5,933,885	A	8/1999	Glassford	
5,960,493	A	10/1999	Rhey et al.	
6,052,853	A *	4/2000	Schmid	5/726
6,421,857	B2	7/2002	Whatman et al.	
D467,117	S *	12/2002	Guy	D6/596
6,564,403	B1 *	5/2003	Titus	5/425
7,213,282	B1	5/2007	Wojtowicz	

7,383,849	B2	6/2008	Kline	
7,458,117	B2	12/2008	Schaefer	
D588,391	S *	3/2009	Smith, Jr.	D6/597
2004/0064889	A1 *	4/2004	Diak/Ghanem	5/482
2009/0106894	A1 *	4/2009	Yeo	5/93.1

* cited by examiner

Primary Examiner—Janice E Seeger

Assistant Examiner—Mary Ann Calabrese

(74) *Attorney, Agent, or Firm*—Dale J. Ream

(57) **CLAIM**

The ornamental design for an infant bed safety sheet, as shown and described.

DESCRIPTION

FIG. 1 is a perspective view of an infant bed safety sheet showing my new design in use with a baby bed;

FIG. 2 is a perspective view of the infant bed safety sheet removed from the baby bed;

FIG. 3 is a front view thereof;

FIG. 4 is a back view thereof;

FIG. 5 is a top view thereof;

FIG. 6 is a bottom view thereof;

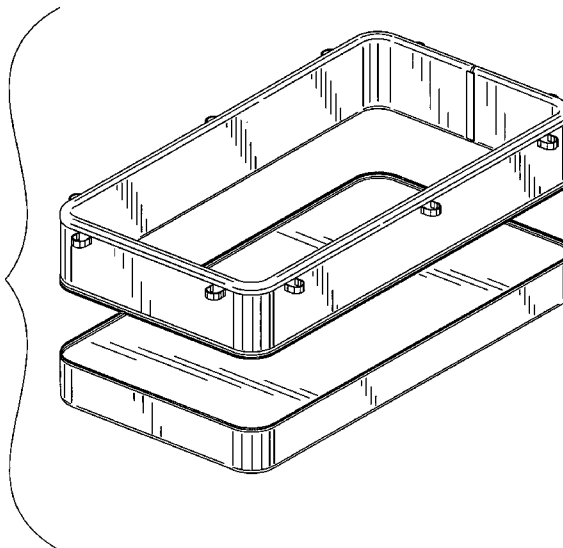
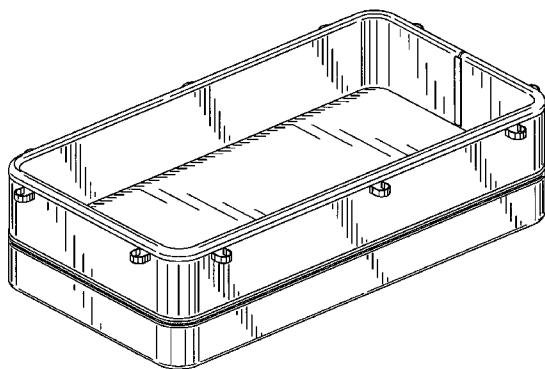
FIG. 7 is a right side view thereof;

FIG. 8 is a left side view thereof; and,

FIG. 9 is an exploded view thereof.

In the drawings, the broken lines showing the baby bed illustrate environment and form no part of the claimed design.

1 Claim, 6 Drawing Sheets



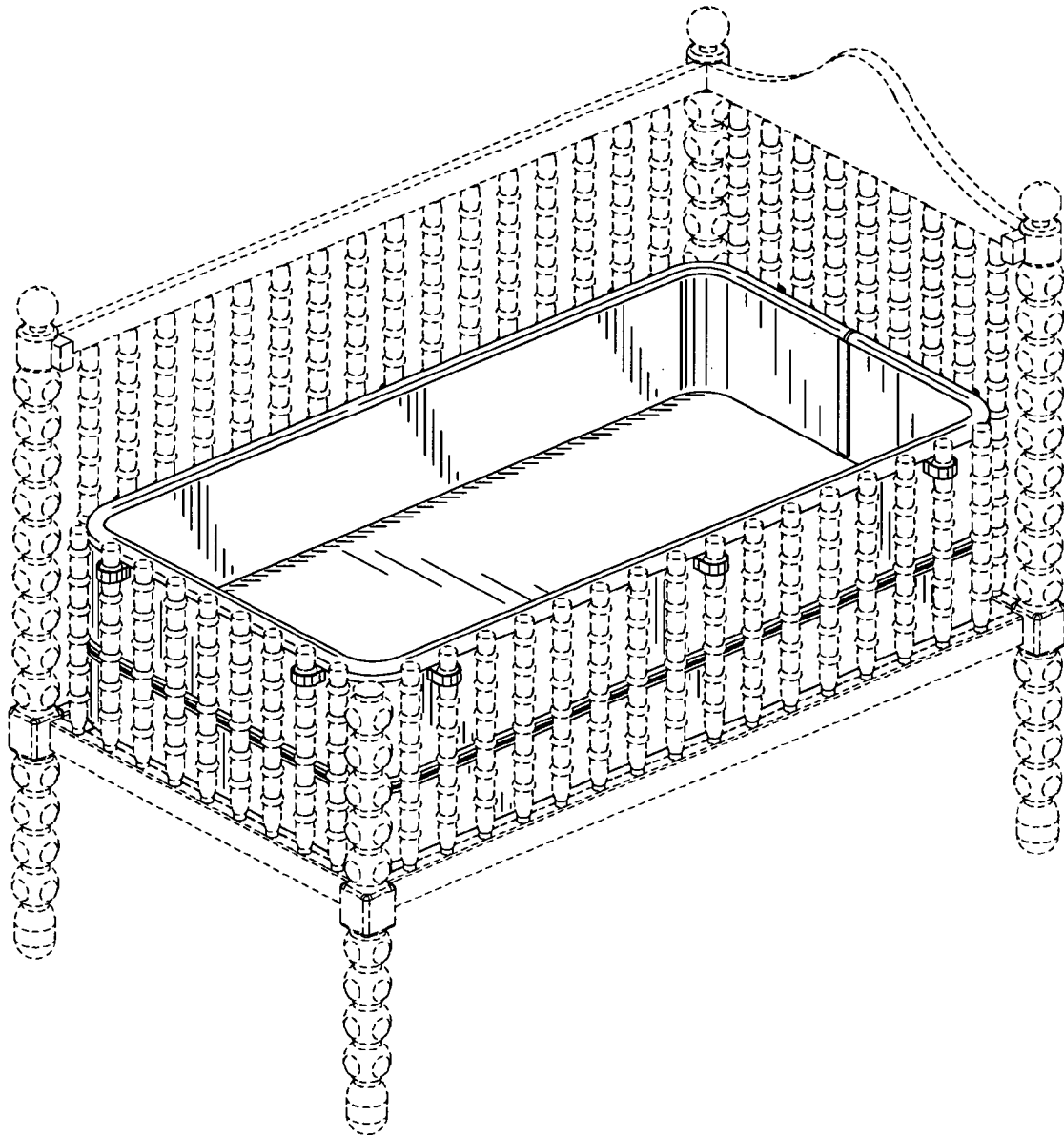


Fig. 1

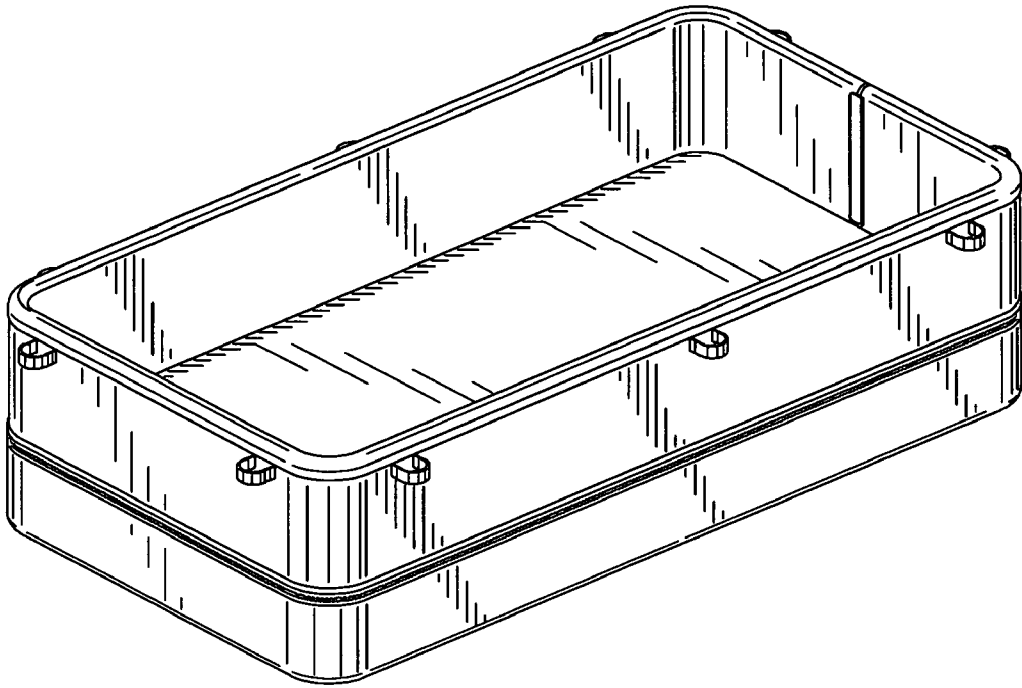


Fig. 2

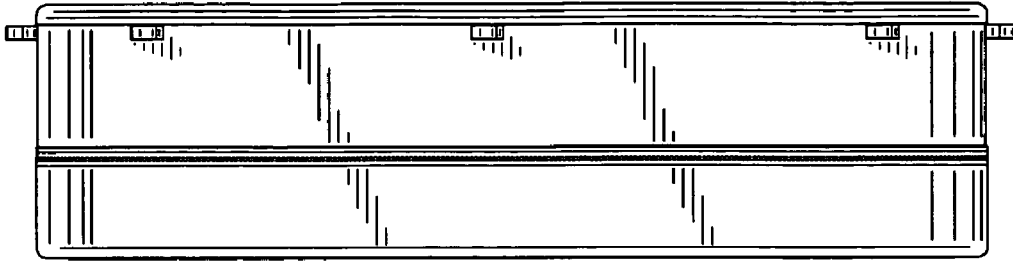


Fig. 3

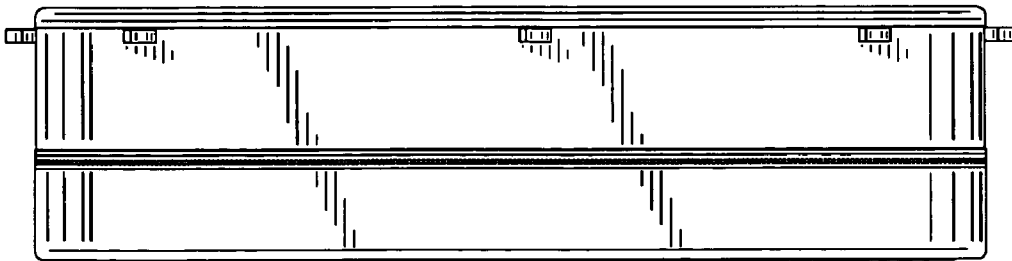


Fig. 4

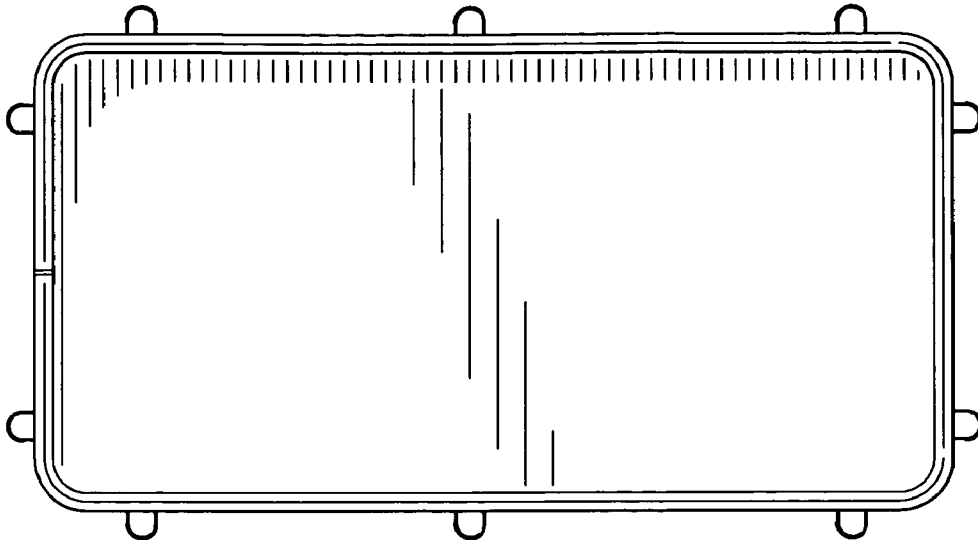


Fig. 5

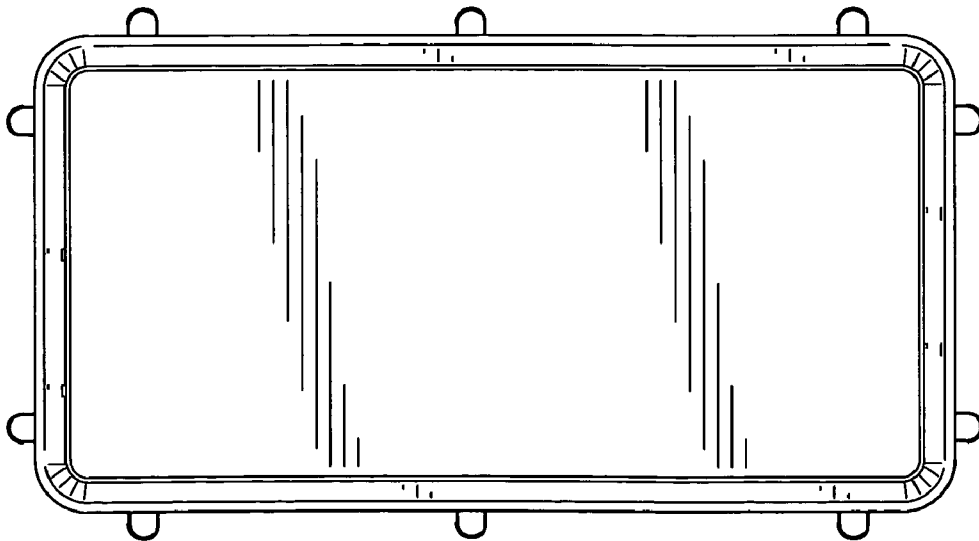


Fig. 6

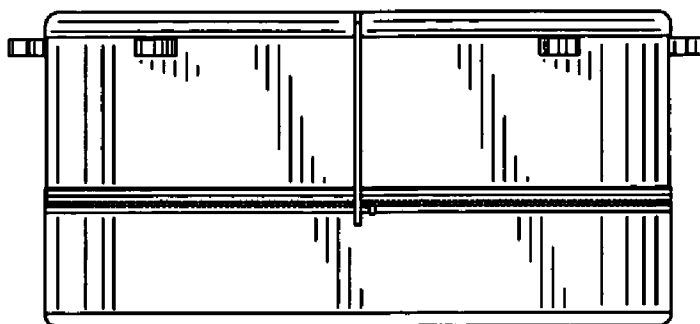


Fig. 7

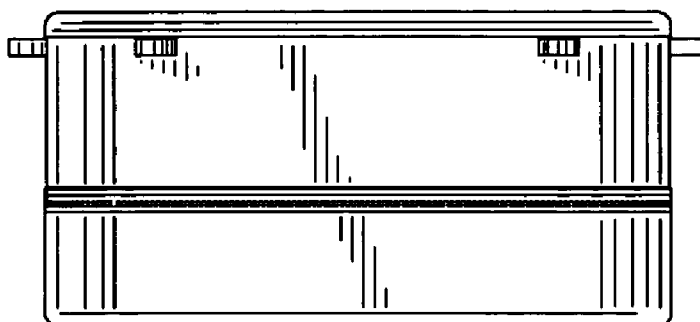


Fig. 8

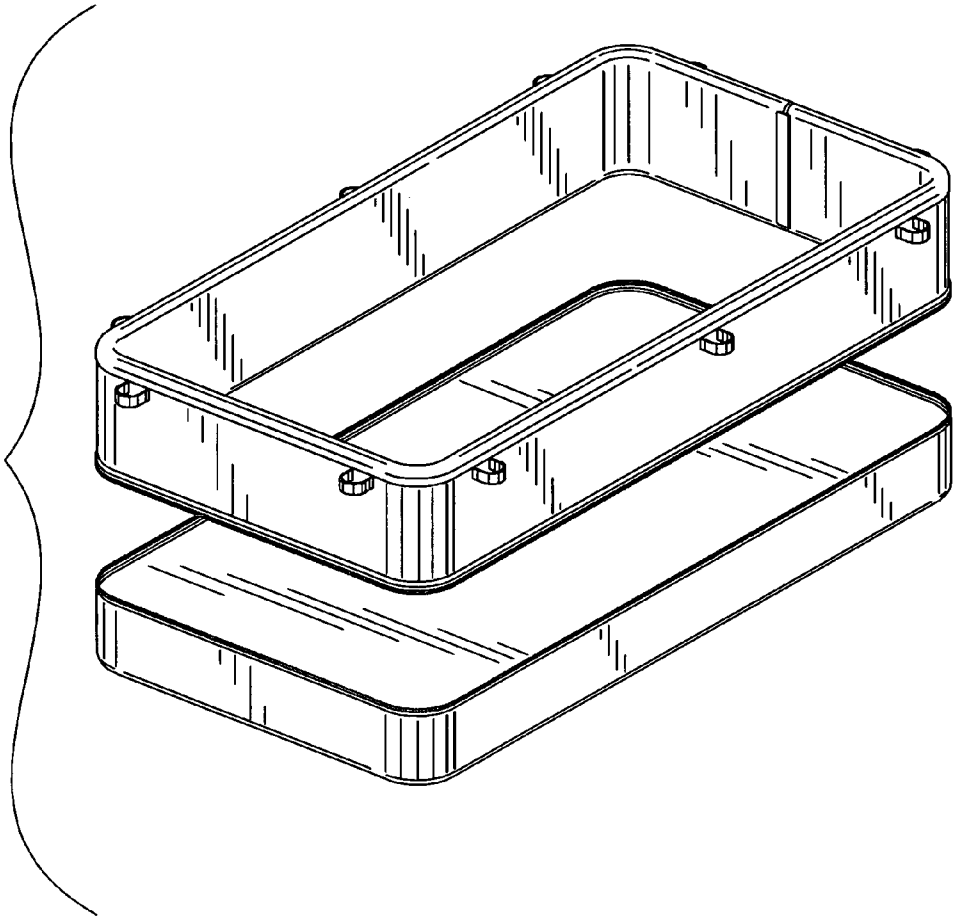


Fig. 9