

(12) **United States Design Patent** (10) **Patent No.:** **US D905,366 S**  
**Hagee et al.** (45) **Date of Patent:** **\*\* Dec. 15, 2020**

(54) **HANDLE FOR HOLDING A CLEANING DEVICE**

(71) Applicant: **The Procter & Gamble Company**, Cincinnati, OH (US)

(72) Inventors: **Richard Christopher Hagee**, Cincinnati, OH (US); **Glenn Allen Bradbury**, Mason, OH (US)

(73) Assignee: **The Procter & Gamble Company**, Cincinnati, OH (US)

(\*\*) Term: **15 Years**

(21) Appl. No.: **29/632,143**

(22) Filed: **Jan. 5, 2018**

(51) **LOC (12) Cl.** ..... **07-05**

(52) **U.S. Cl.** ..... **D32/52**  
 USPC ..... **D32/52**

(58) **Field of Classification Search**  
 USPC ..... D32/40, 46, 50, 52; D4/138; D8/80, 94, D8/97

(Continued)

(56) **References Cited**

U.S. PATENT DOCUMENTS

D572,873 S \* 7/2008 Hoadley ..... D32/52  
 D579,614 S \* 10/2008 Tanaka ..... D32/48

(Continued)

*Primary Examiner* — Michelle E. Wilson

(74) *Attorney, Agent, or Firm* — John T. Dipre

(57) **CLAIM**

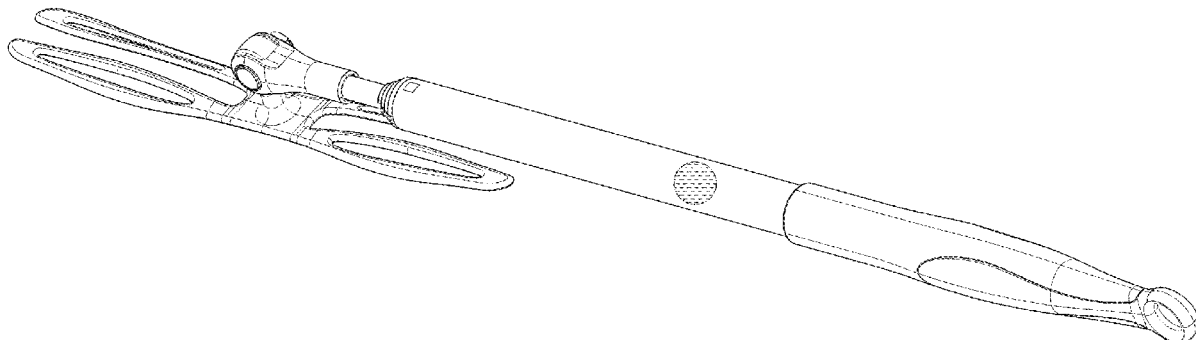
The ornamental design for a handle for holding a cleaning device, as shown and described.

**DESCRIPTION**

FIG. 1 is a first perspective view of one embodiment of a handle for holding a cleaning device according to the present invention in a retracted position.

FIG. 2 is a second perspective view thereof.  
 FIG. 3 is top view thereof.  
 FIG. 4 is a side view thereof, the opposite side being a mirror image thereof.  
 FIG. 5 is bottom view thereof.  
 The cross hatch in FIGS. 1-5 represents a silver color for the entire surface of the handle.  
 The front view and rear view form no part of the claimed embodiment.  
 FIG. 6 is a first perspective view of one embodiment of a handle for holding a cleaning device according to the present invention in a retracted position.  
 FIG. 7 is a second perspective view thereof.  
 FIG. 8 is top view thereof.  
 FIG. 9 is a side view thereof, the opposite side being a mirror image thereof.  
 FIG. 10 is bottom view thereof.  
 The cross hatch in FIGS. 6-10 represents a black color for the entire surface of the handle.  
 The front view and rear view form no part of the claimed embodiment.  
 FIG. 11 is a first perspective view of one embodiment of a handle for holding a cleaning device according to the present invention in an extended position.  
 FIG. 12 is a second perspective view thereof.  
 FIG. 13 is top view thereof.  
 FIG. 14 is a side view thereof, the opposite side being a mirror image thereof.  
 FIG. 15 is bottom view thereof.  
 The stippling in FIGS. 11-15 represents a silver color for the entire surface of that handle section.  
 The front view and rear view form no part of the claimed embodiment.  
 FIG. 16 is a first perspective view of one embodiment of a handle for holding a cleaning device according to the present invention in an extended position.  
 FIG. 17 is a second perspective view thereof.  
 FIG. 18 is top view thereof.  
 FIG. 19 is a side view thereof, the opposite side being a mirror image thereof; and,  
 FIG. 20 is bottom view thereof.  
 The stippling in FIGS. 16-20 represents a black color for the entire surface of that handle section.

(Continued)



The front view and rear view form no part of the claimed embodiment.

**1 Claim, 8 Drawing Sheets**

(58) **Field of Classification Search**

CPC ..... A47L 13/38; A47L 13/46; B25G 3/24  
See application file for complete search history.

(56) **References Cited**

U.S. PATENT DOCUMENTS

D579,615	S *	10/2008	Ames	.....	D32/52
D608,965	S *	1/2010	Tanaka	.....	D32/40
D609,871	S *	2/2010	Zach	.....	D32/35
D613,014	S *	3/2010	Hoadley	.....	D32/52
8,156,603	B2 *	4/2012	Tsutanaga	.....	A47L 13/38
					15/144.4
D674,979	S *	1/2013	Girardot	.....	D32/35
D685,151	S *	6/2013	Schuller	.....	D32/35
D686,792	S *	7/2013	Williams	.....	D32/51
2005/0172440	A1 *	8/2005	Lin	.....	A47L 13/16
					15/226
2006/0137116	A1 *	6/2006	Tsuchiya	.....	A01N 25/34
					15/1.52
2006/0260082	A1 *	11/2006	Bonilla	.....	A47L 13/38
					15/229.3
2007/0180640	A1 *	8/2007	Knopow	.....	A46B 5/0025
					15/210.1
2008/0235891	A1 *	10/2008	Tsuchiya	.....	A47L 13/38
					15/209.1

\* cited by examiner

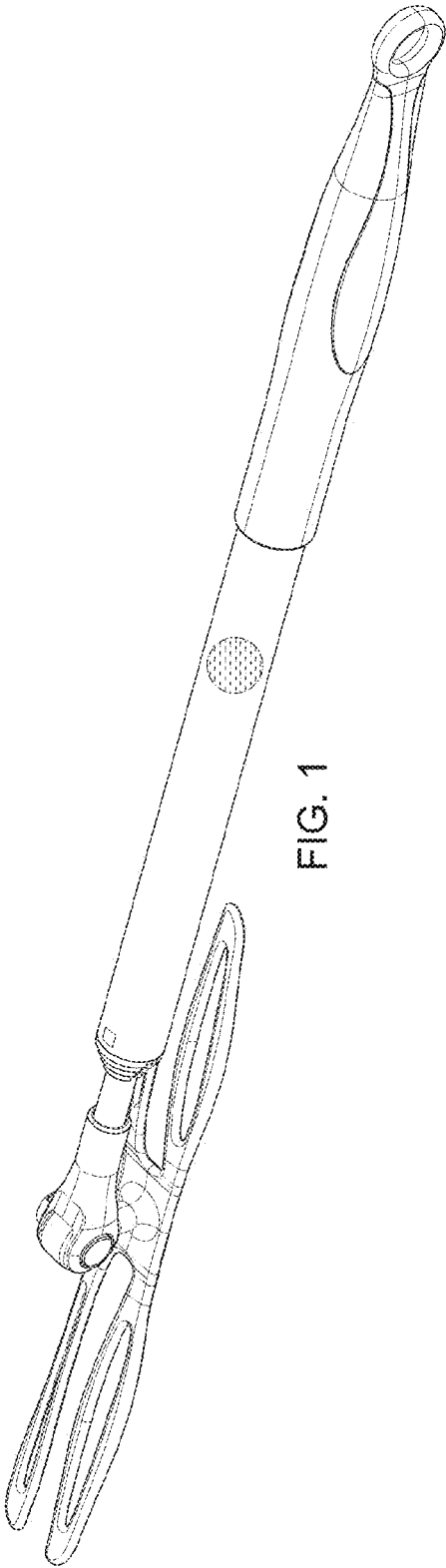


FIG. 1

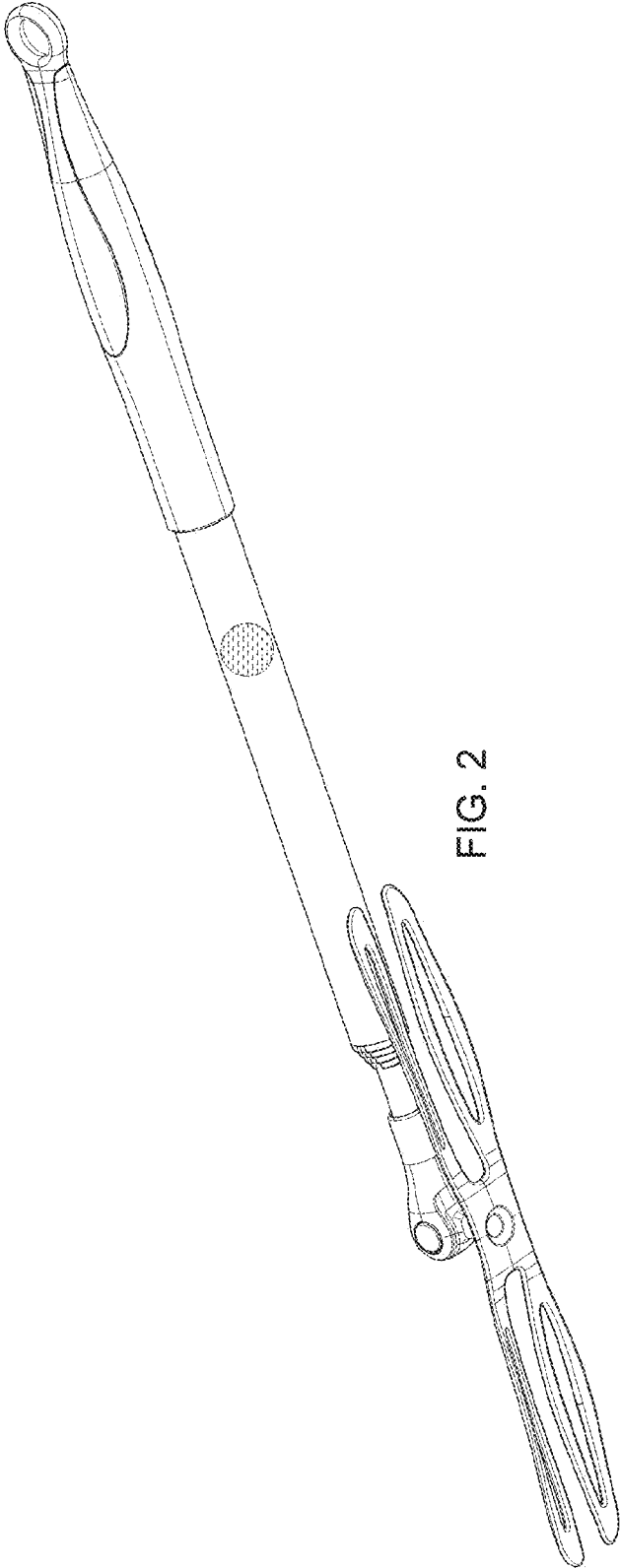


FIG. 2

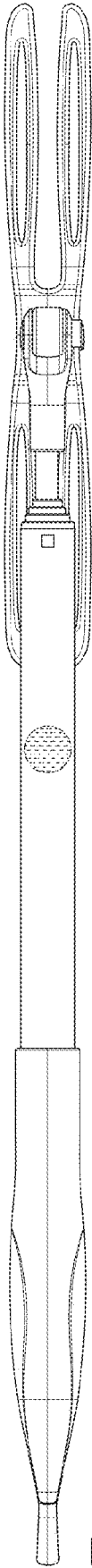


FIG. 3

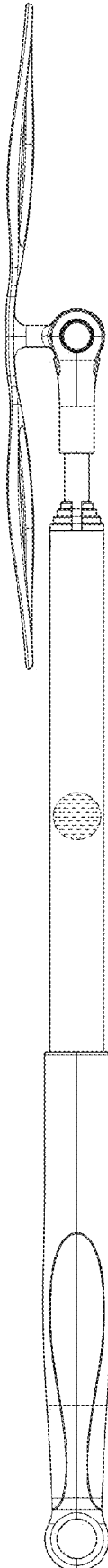


FIG. 4

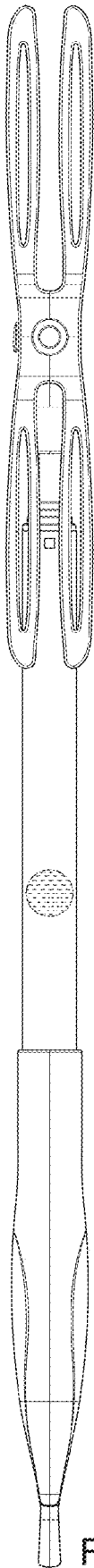


FIG. 5

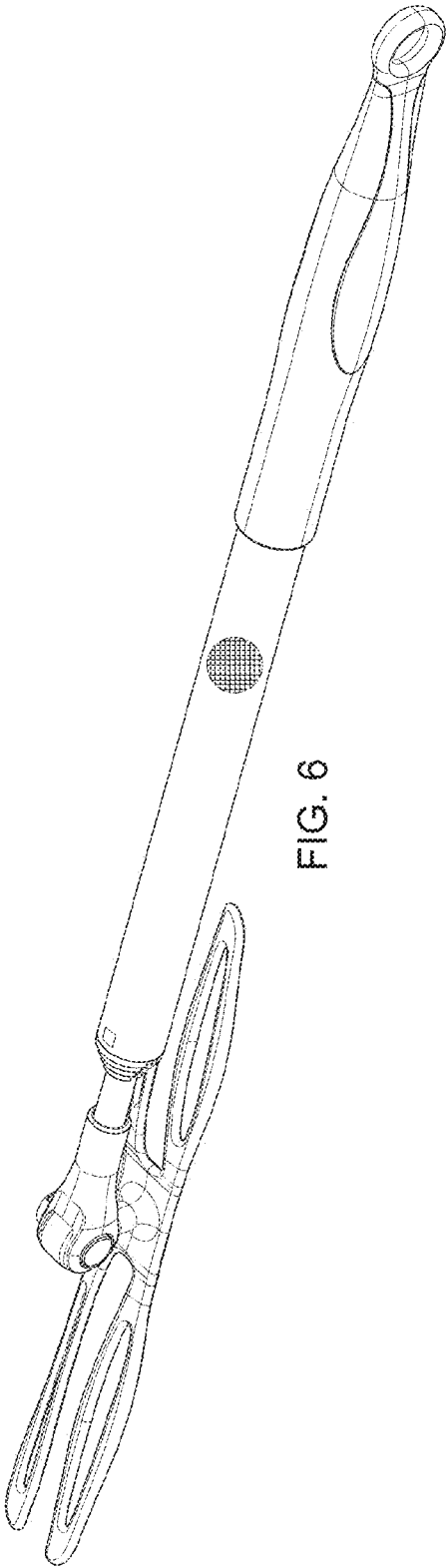


FIG. 6

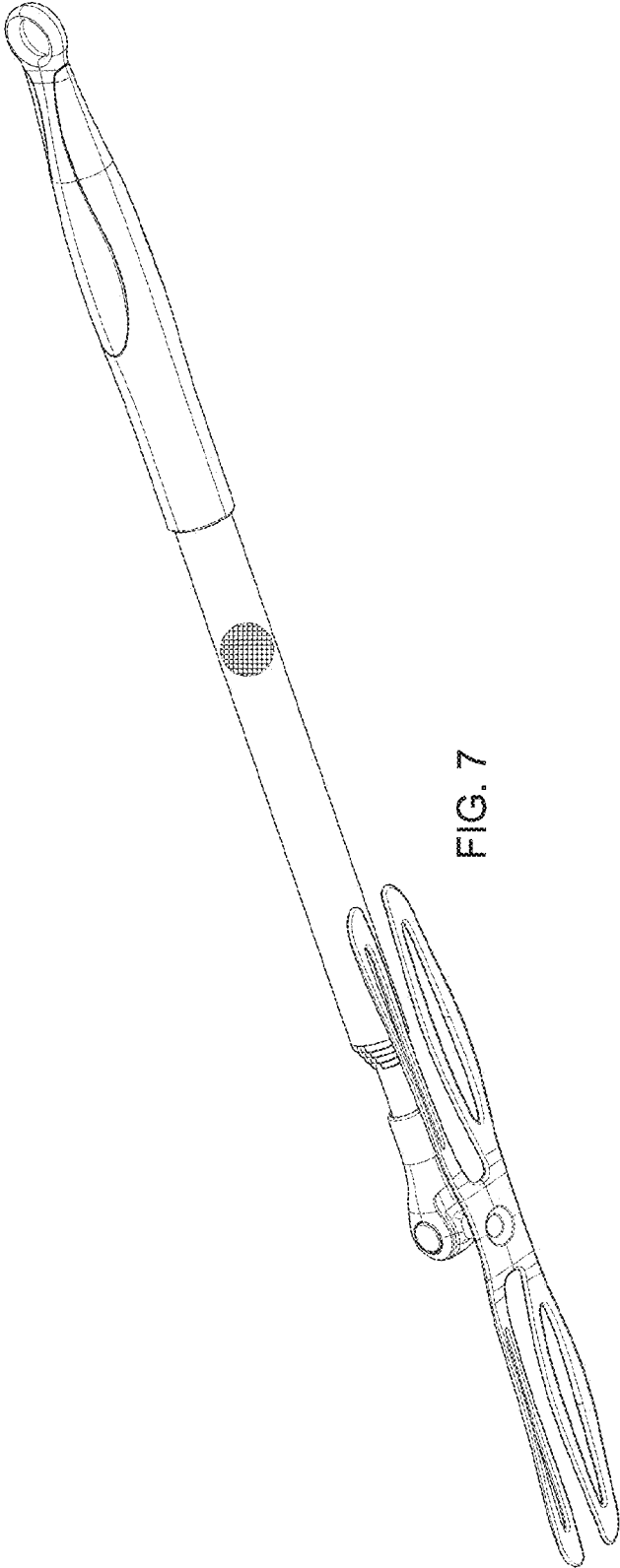


FIG. 7

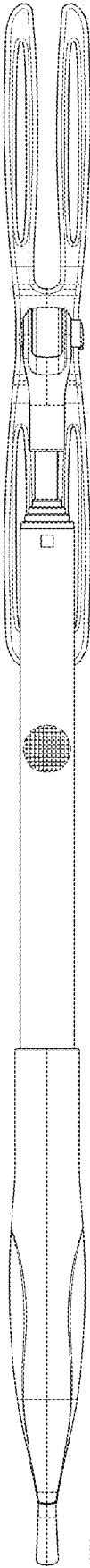


FIG. 8

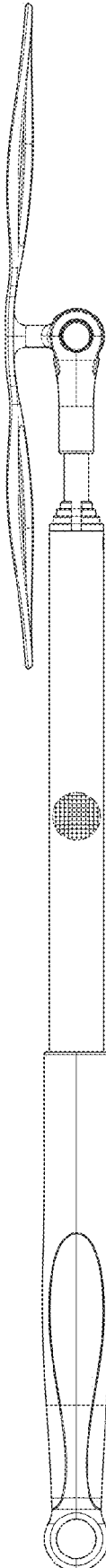


FIG. 9

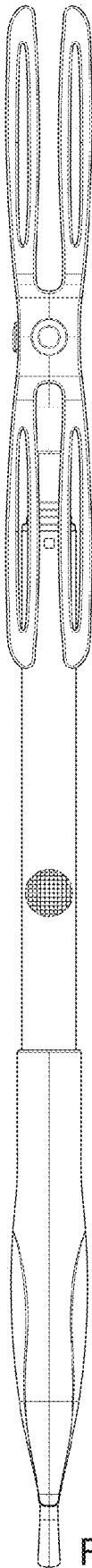


FIG. 10

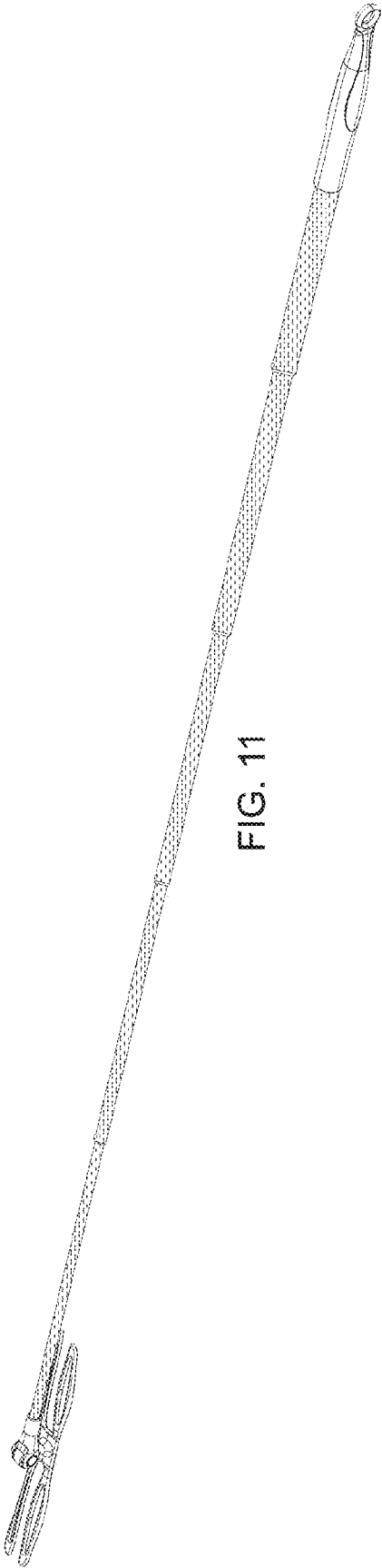


FIG. 11

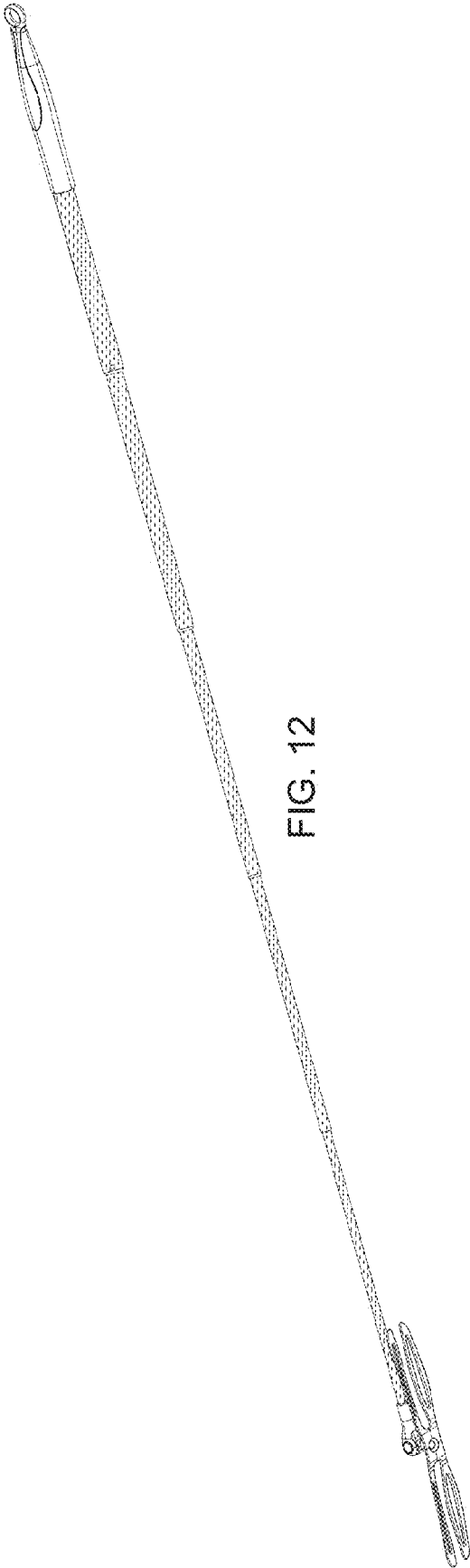


FIG. 12



FIG. 13



FIG. 14



FIG. 15

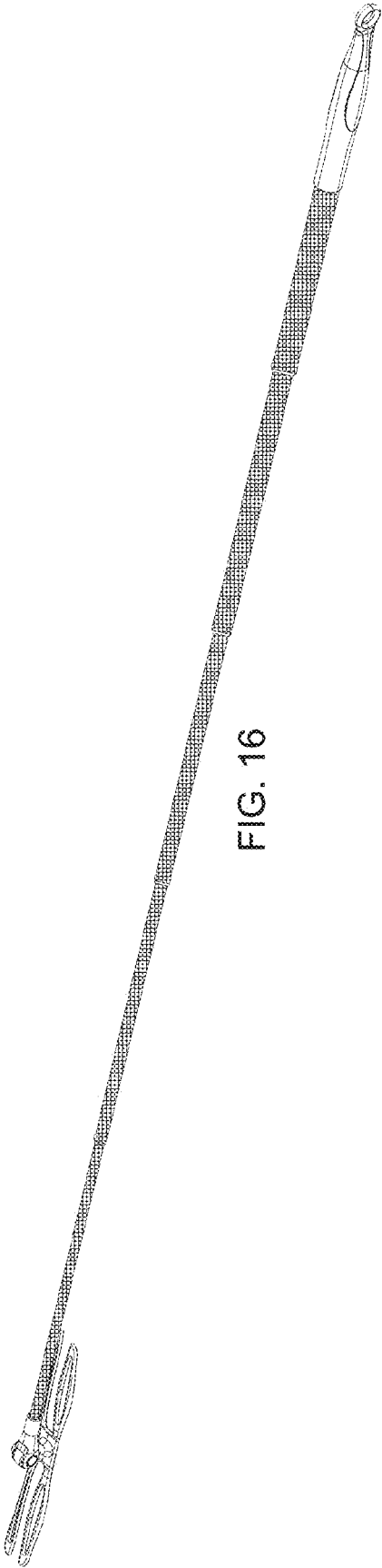


FIG. 16

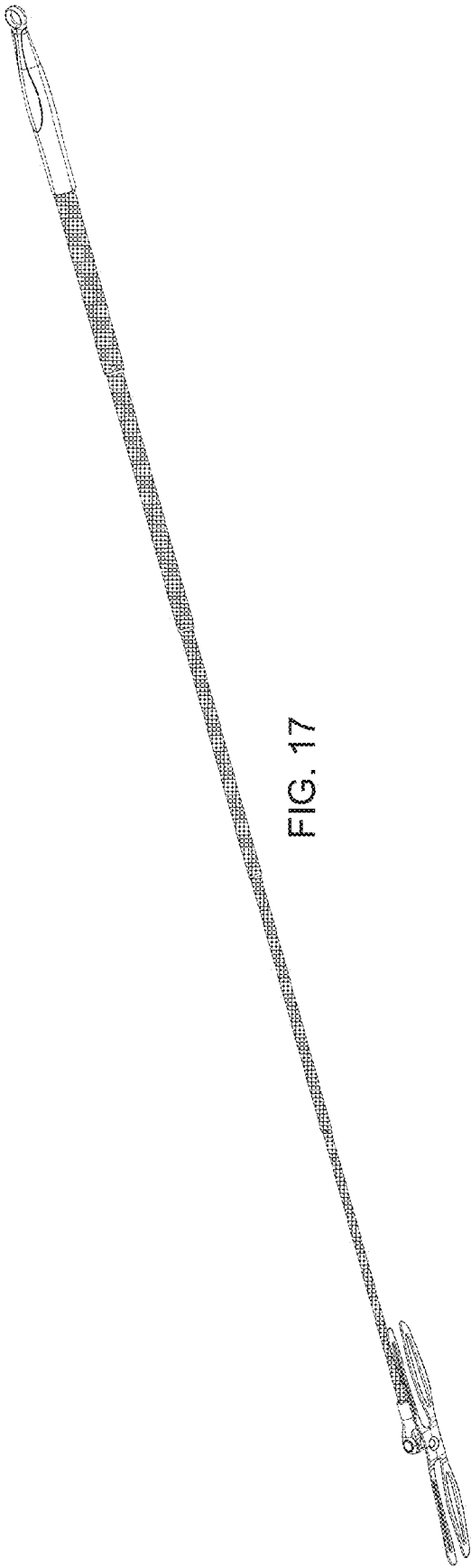


FIG. 17

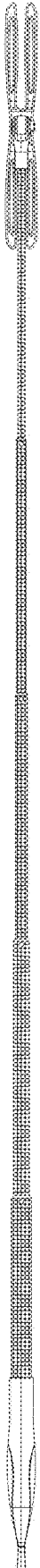


FIG. 18

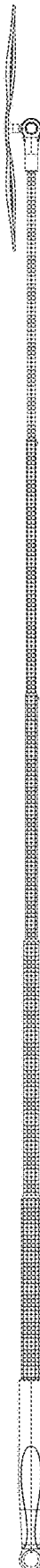


FIG. 19

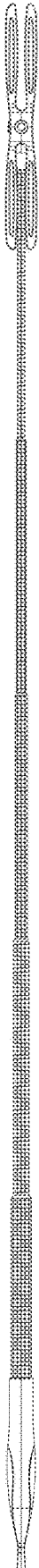


FIG. 20