



US0D1004635S

(12) **United States Design Patent**
Pack et al.

(10) **Patent No.:** **US D1,004,635 S**

(45) **Date of Patent:** **** Nov. 14, 2023**

(54) **SPINNING WHEEL**

OTHER PUBLICATIONS

(71) Applicant: **FOREVER GROWING LLC**, Clifton, TN (US)

Spin E Kube, available in facebook.com, announced Year 2022 [online], [site visited May 15, 2023], Internet URL:https://www.facebook.com/forevergrowingllp/reviews (Year: 2022).*

(72) Inventors: **Jessica Pack**, Clifton, TN (US); **Tim Coy**, Clifton, TN (US)

* cited by examiner

(**) Term: **15 Years**

Primary Examiner — Calvin E Vasant

Assistant Examiner — Eidiol Ghigliotty Torres

(21) Appl. No.: **29/802,706**

(74) *Attorney, Agent, or Firm* — Mark A. Pitchford; Eric B. Fugett; Pitchford Fugett, PLLC

(22) Filed: **Aug. 6, 2021**

(51) **LOC (14) Cl.** **15-06**

(52) **U.S. Cl.**
USPC **D15/66**

(58) **Field of Classification Search**
USPC D15/66, 67, 71, 72, 73, 74, 76
CPC .. B65H 2701/31; B65H 54/346; B65H 18/00;
B65H 18/02; B65H 18/08; B65H 54/00;
B65H 54/02; D01D 10/04; D01D
10/0436; D01D 10/0454; D02G 3/281;
D02G 3/283; D02G 3/285; D02G 3/385;
D01H 3/00; D01H 1/00
See application file for complete search history.

(57) **CLAIM**

What is claimed is the ornamental design for a spinning wheel, as shown and described.

DESCRIPTION

FIG. 1 is a front isometric view of a spinning wheel showing Applicant's invention.

FIG. 2 is a rear isometric view of the spinning wheel of FIG. 1.

FIG. 3 is an elevated front isometric view of the spinning wheel of FIG. 1.

FIG. 4 is a right side perspective view of the spinning wheel of FIG. 1.

FIG. 5 is a left side perspective view of the spinning wheel of FIG. 1.

FIG. 6 is a front perspective view of the spinning wheel of FIG. 1.

FIG. 7 is a rear perspective view of the spinning wheel of FIG. 1.

FIG. 8 is a top perspective view of the spinning wheel of FIG. 1; and,

FIG. 9 is a bottom perspective view of the spinning wheel of FIG. 1.

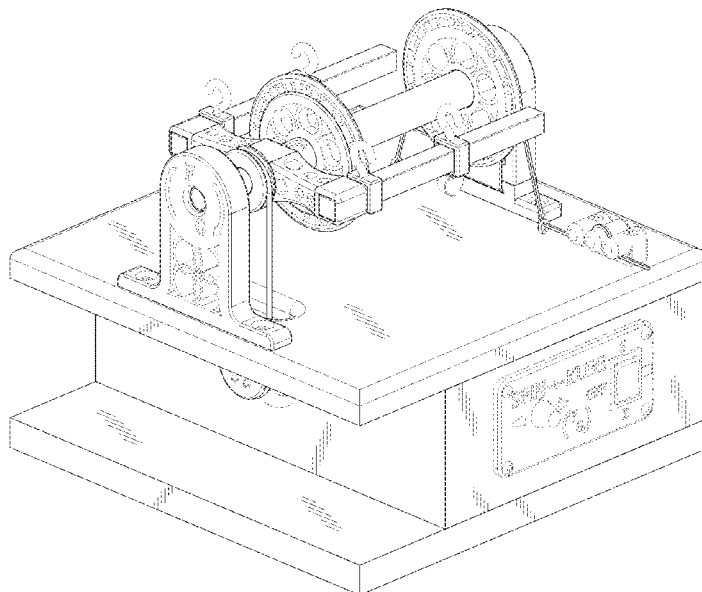
The broken lines depict portions of the spinning wheel that form no part of the claimed design.

(56) **References Cited**

U.S. PATENT DOCUMENTS

1,508,244	A *	9/1924	Petersen	B65H 63/08 242/485.1
2,409,993	A *	10/1946	Stupakoff	B28B 11/0854 408/217
D254,551	S *	3/1980	Turner	D15/66
D299,466	S *	1/1989	Hayes	B28B 11/0854 D15/127
D309,315	S *	7/1990	Maina	D01H 13/12 D15/78
2021/0395037	A1 *	12/2021	Mitsubishi	B65H 59/387
2023/0082479	A1 *	3/2023	Rhyne	D01H 13/12 242/534

1 Claim, 9 Drawing Sheets



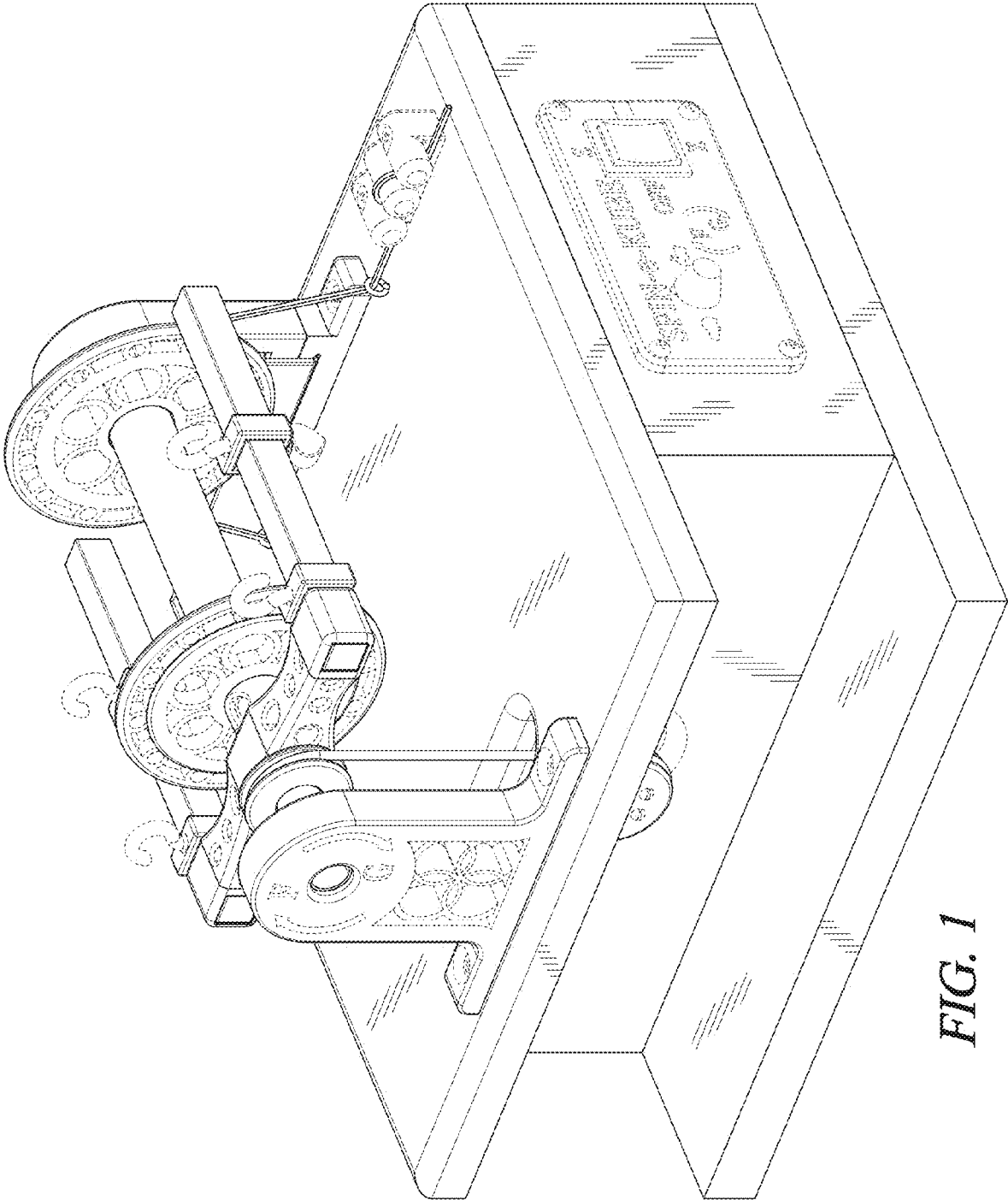
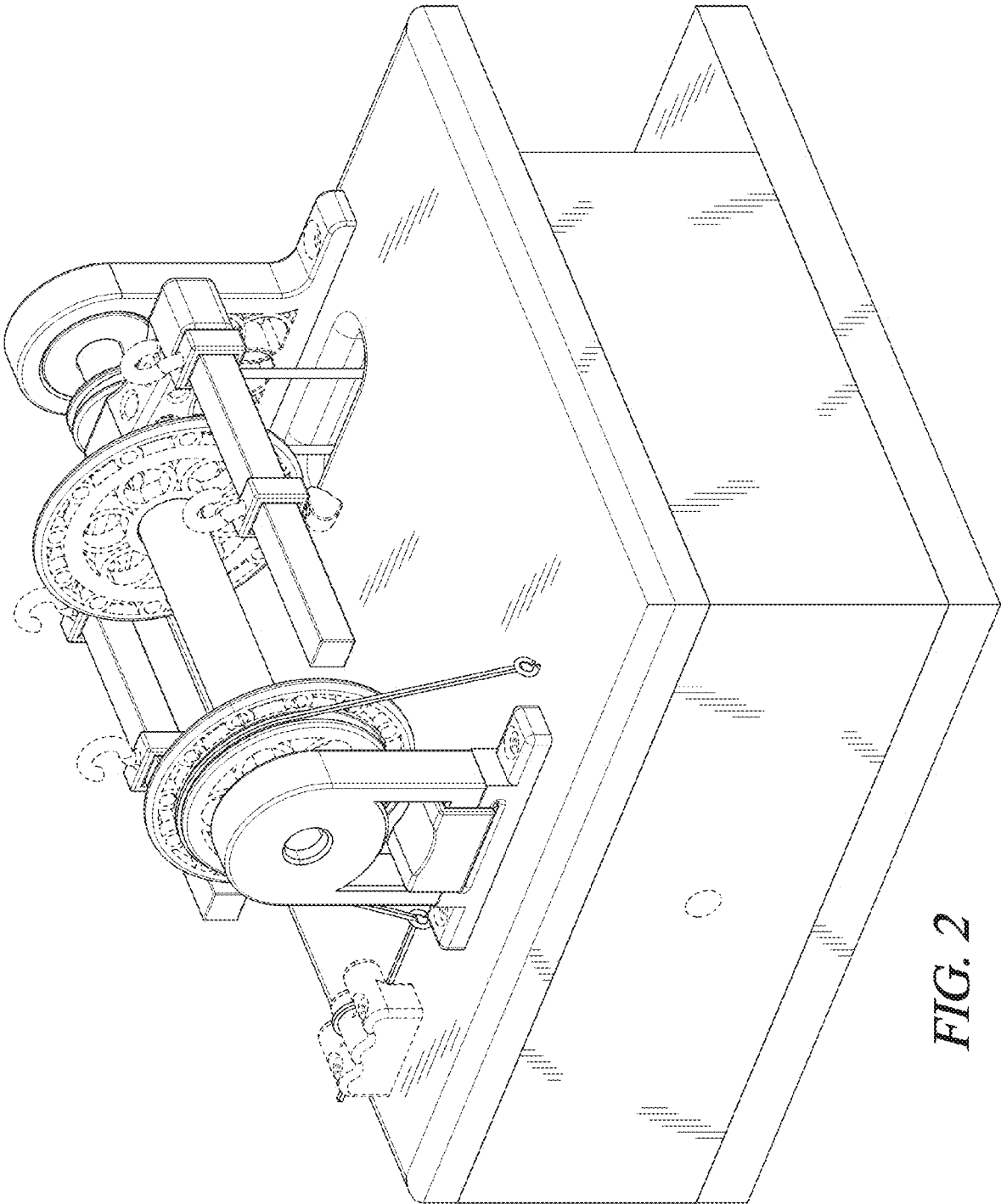


FIG. 1



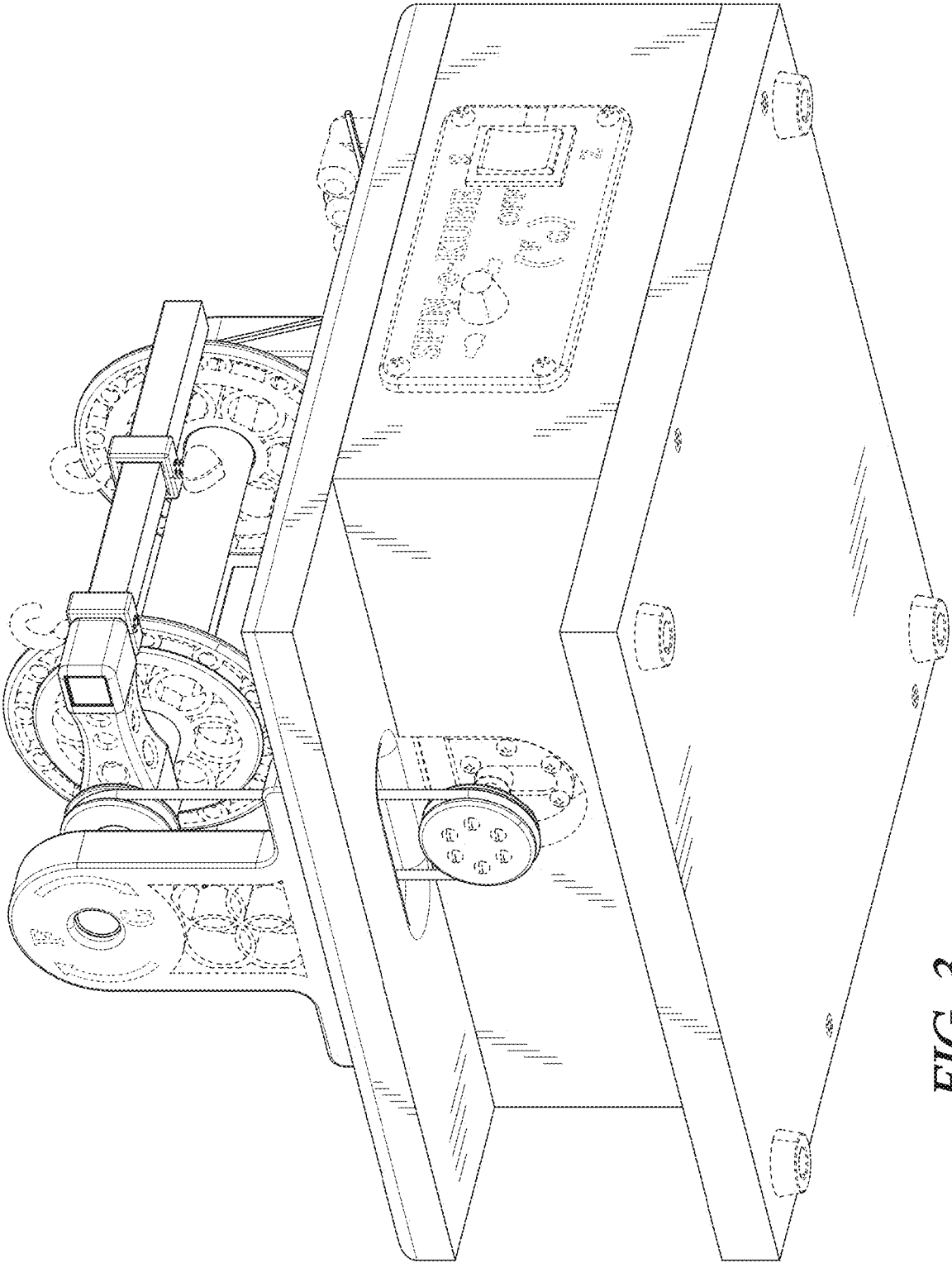


FIG. 3

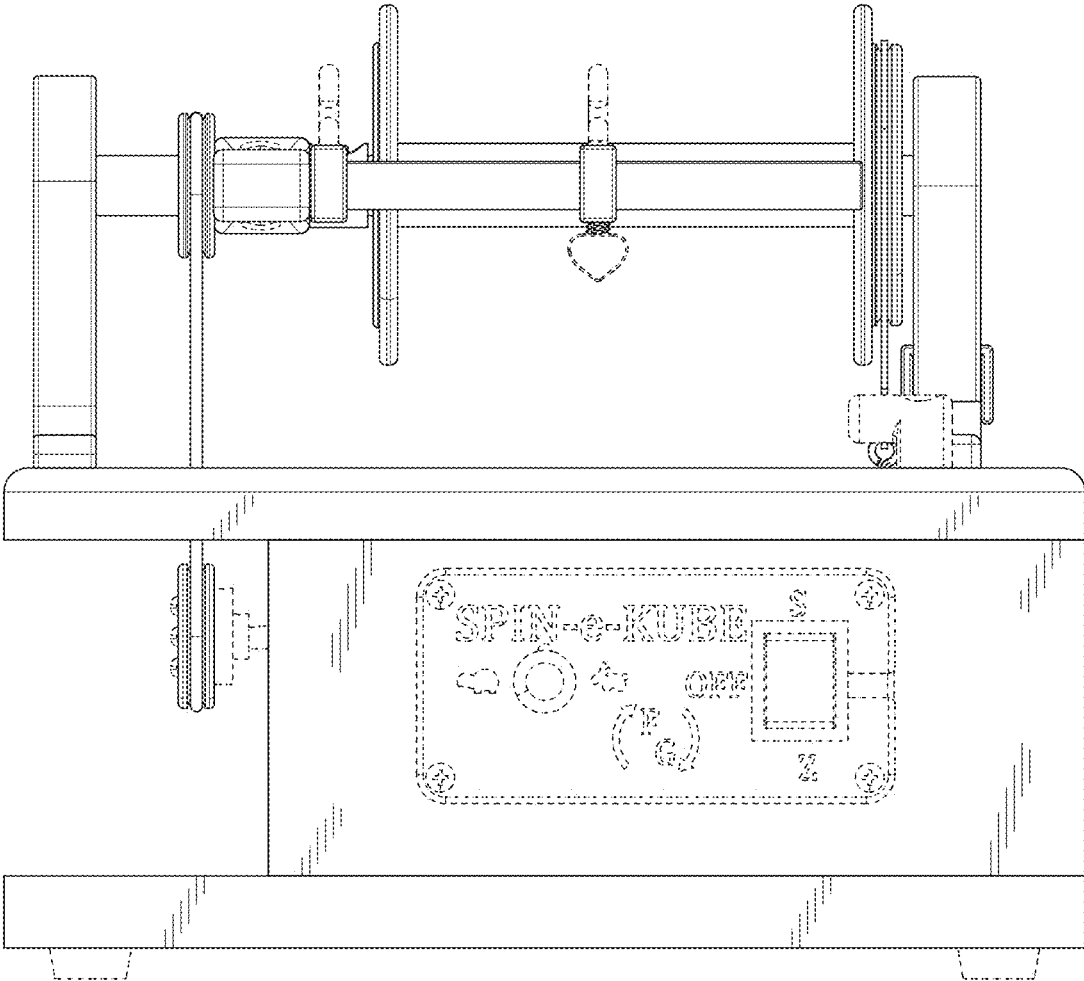


FIG. 4

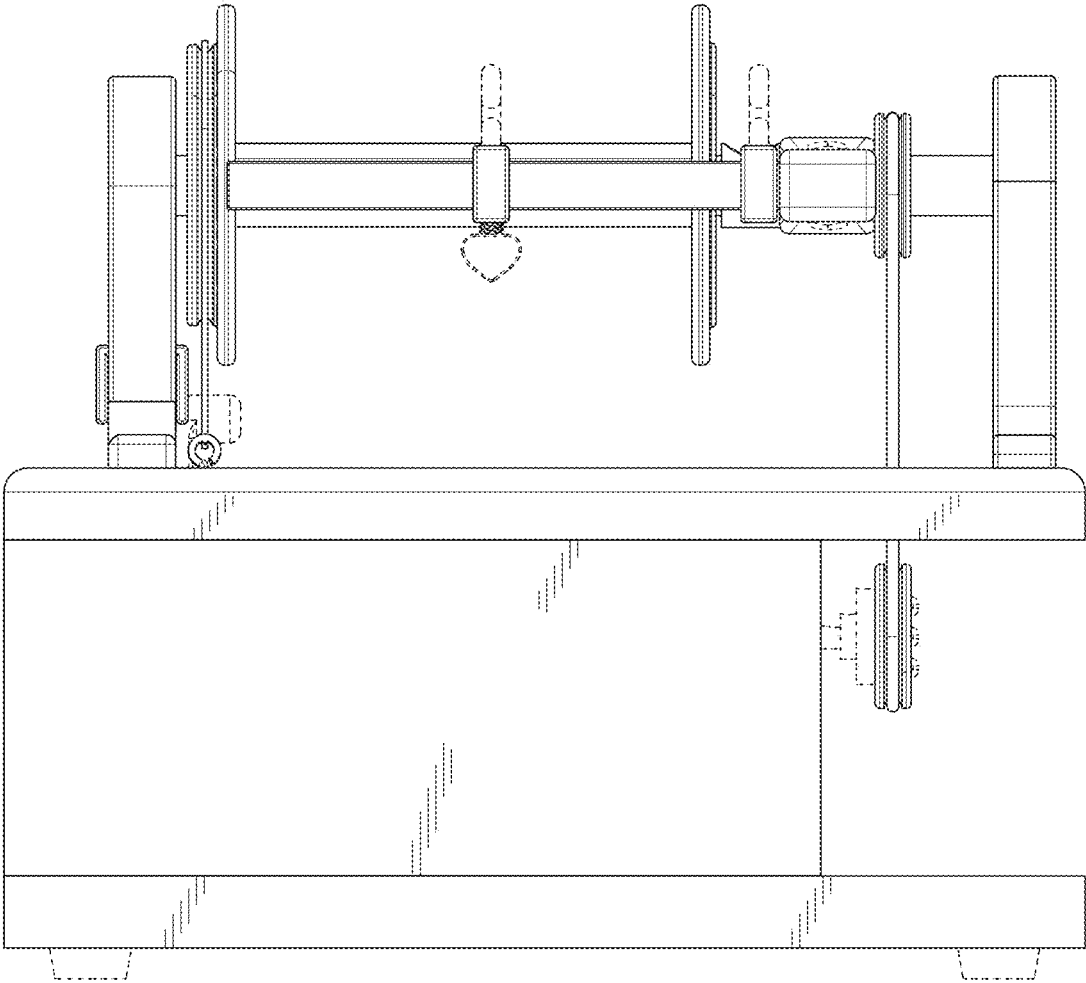


FIG. 5

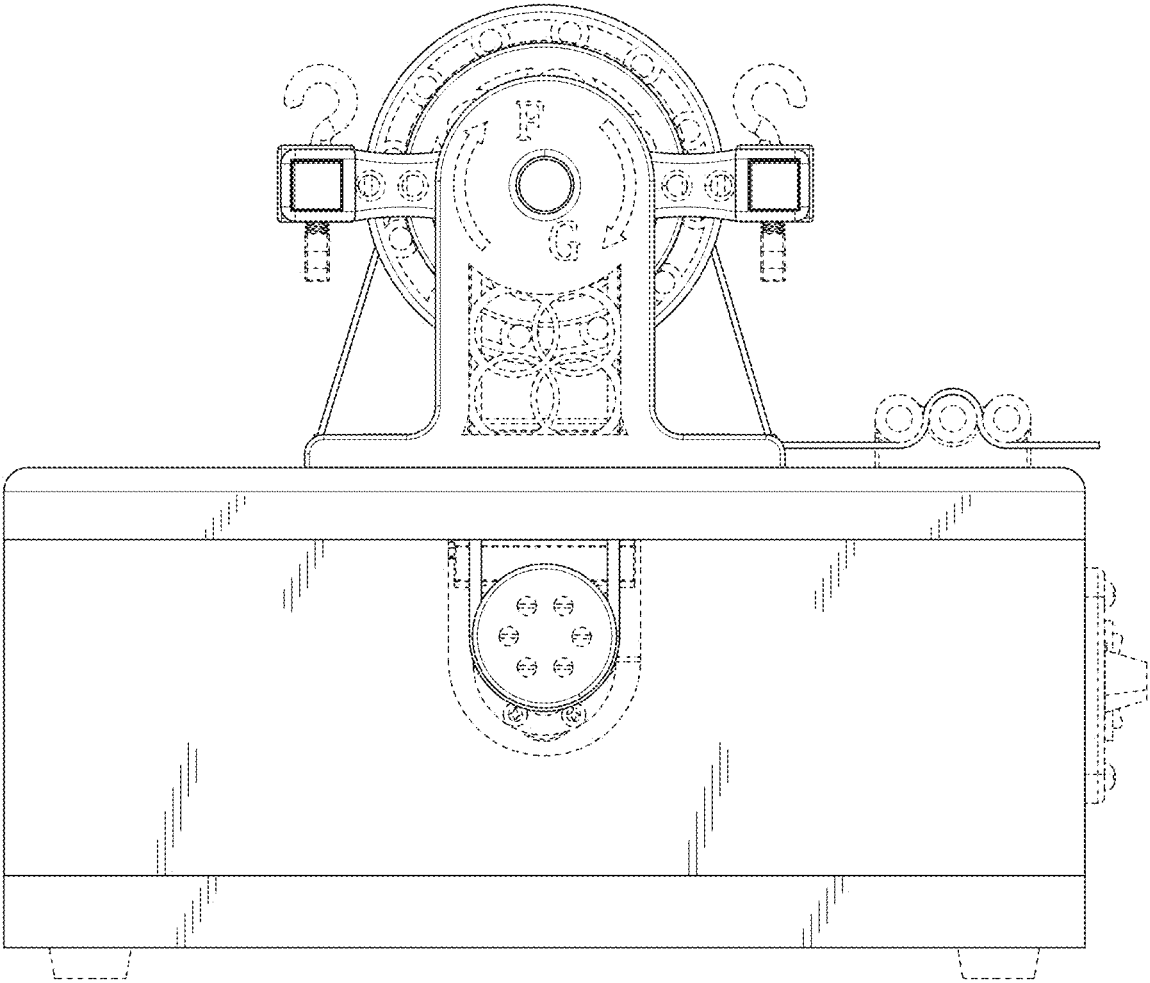


FIG. 6

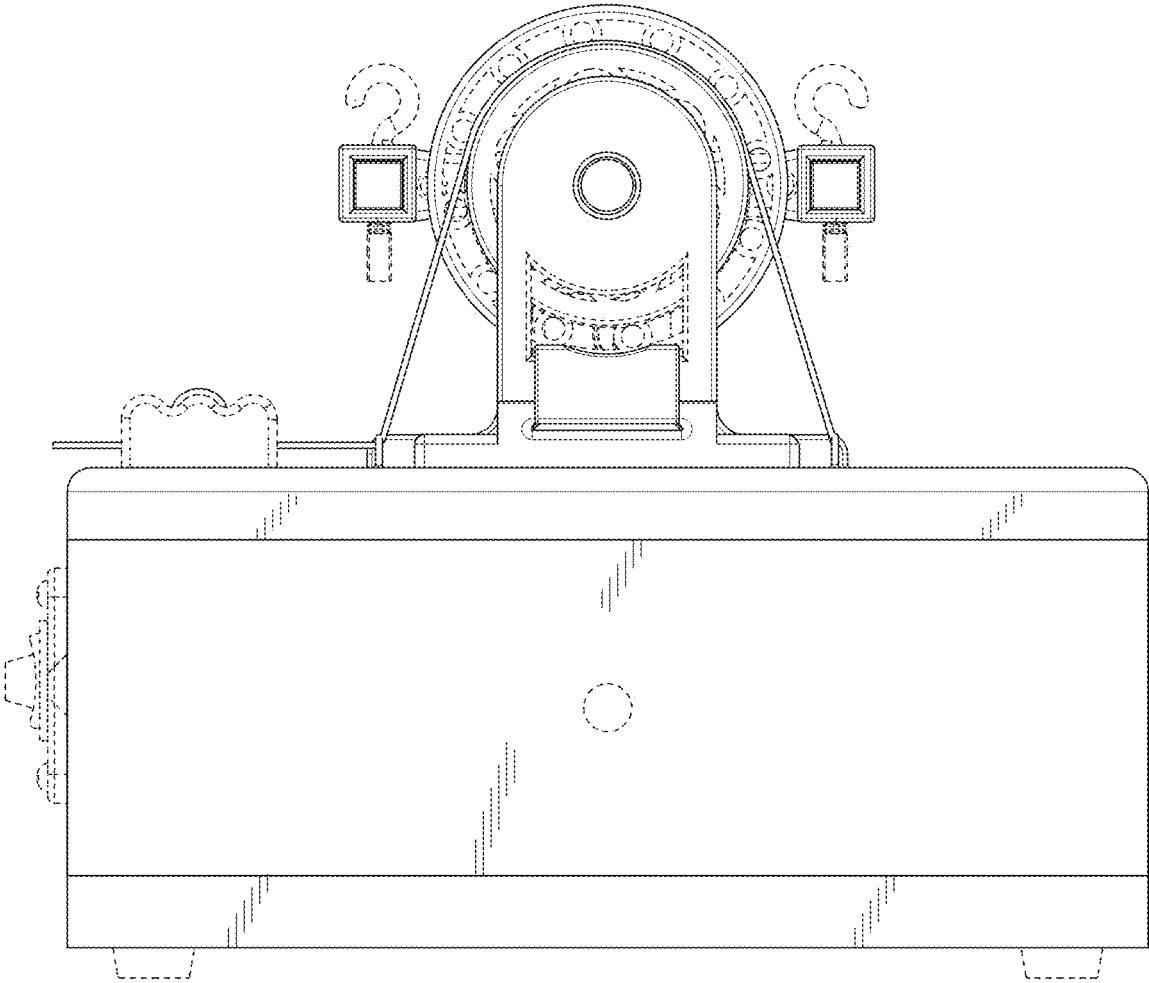


FIG. 7

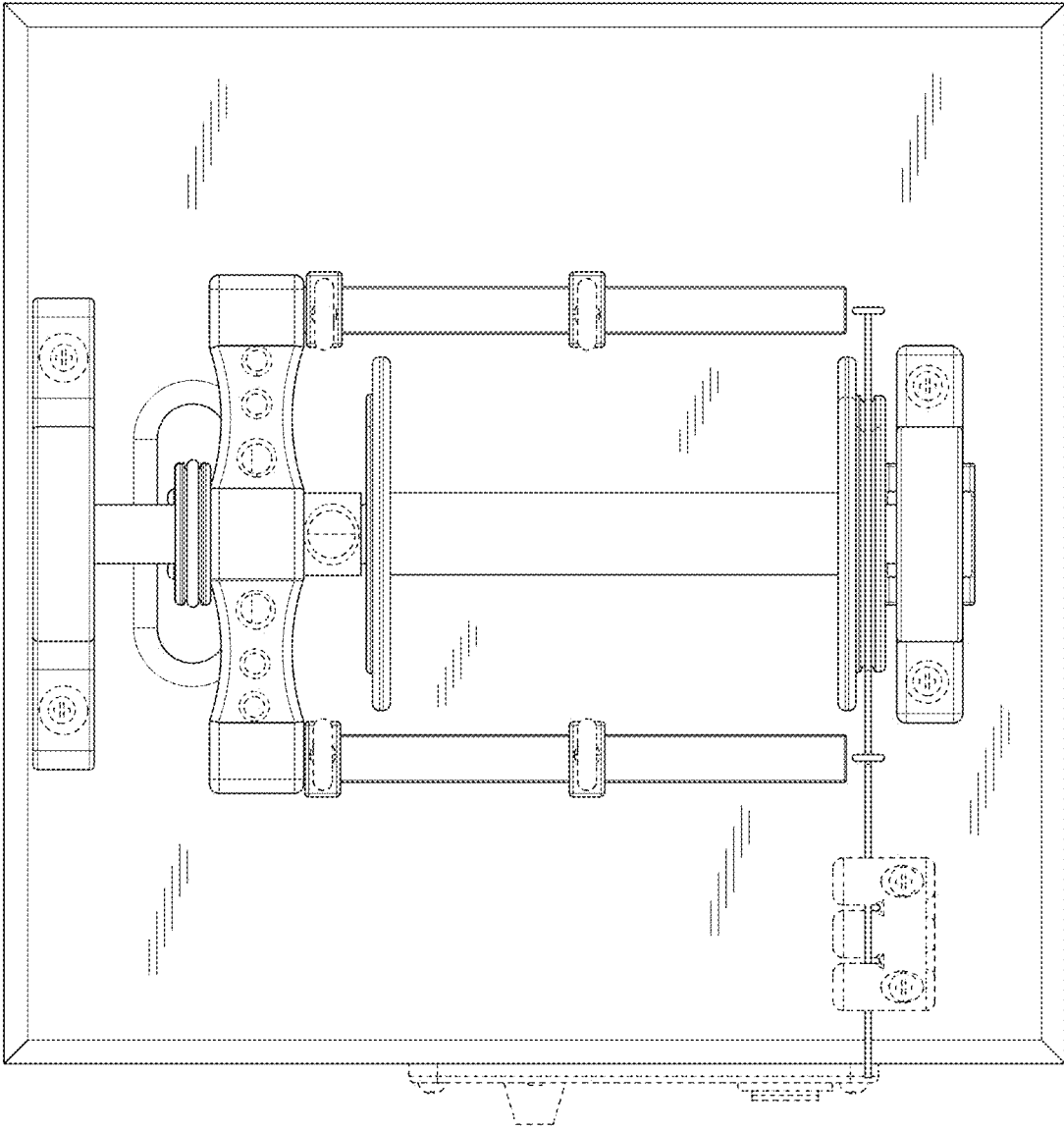


FIG. 8

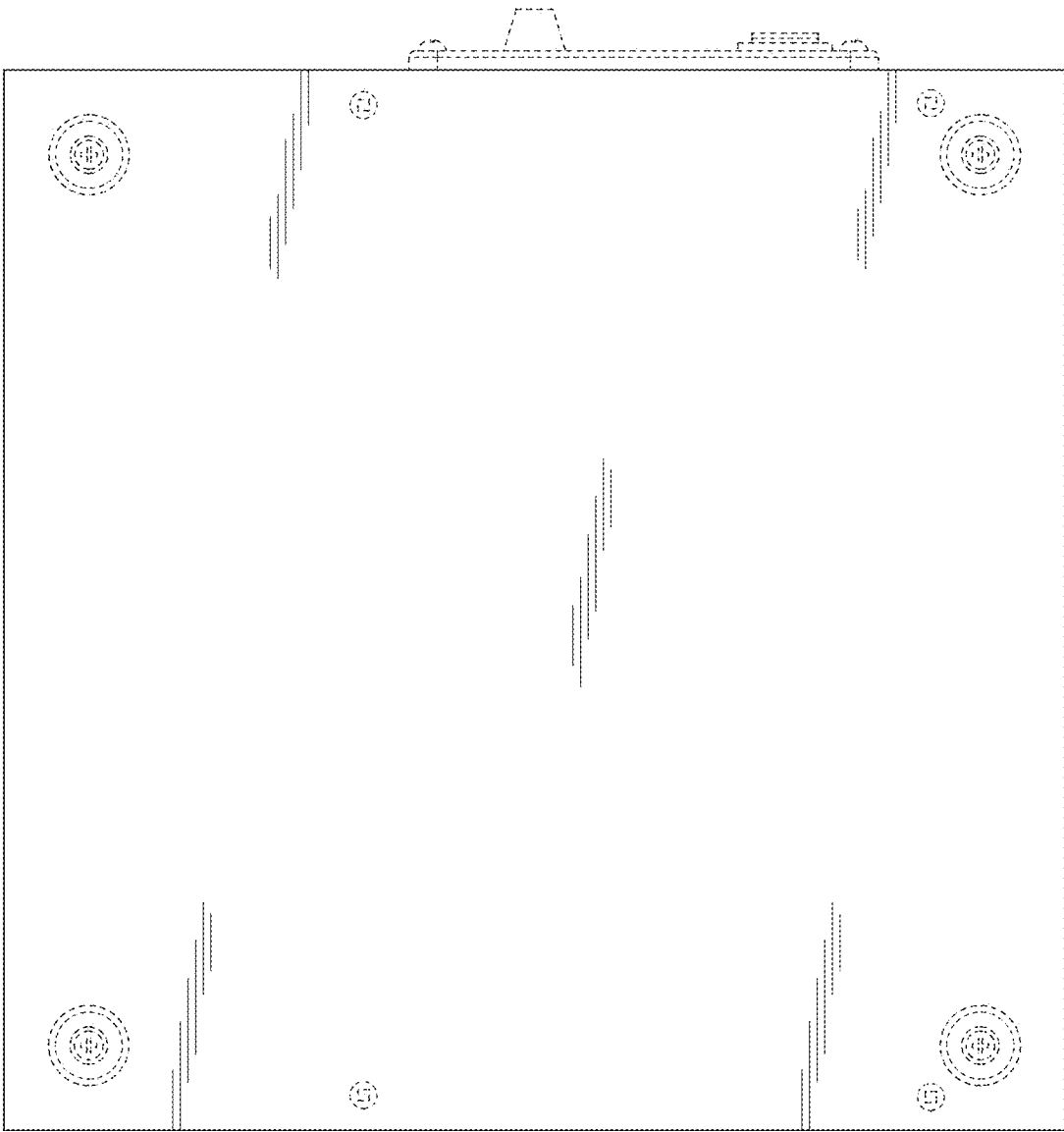


FIG. 9