



US00D487472S

(12) **United States Design Patent**
Leach

(10) **Patent No.:** **US D487,472 S**

(45) **Date of Patent:** **** Mar. 9, 2004**

(54) **PUMP WITH HOUSING**

D357,687 S * 4/1995 Jensen D15/7
D435,049 S * 12/2000 Tsai D15/7

(76) Inventor: **Bernard Leach**, Starcroft Farm,
Catsfield, Battle, East Sussex, TN33
9DU (GB)

* cited by examiner

(**) Term: **14 Years**

Primary Examiner—Ralf Seifert

(74) *Attorney, Agent, or Firm*—Dowell & Dowell, P.C.

(21) Appl. No.: **29/174,742**

(57) **CLAIM**

(22) Filed: **Jan. 24, 2003**

The ornamental design for a pump with housing, as shown and described.

(30) **Foreign Application Priority Data**

DESCRIPTION

Jul. 26, 2002 (GB) 3005709

FIG. 1 is a front elevational view of a pump with housing showing my new design;

(51) **LOC (7) Cl.** **15-02**

FIG. 2 is a rear elevational view thereof;

(52) **U.S. Cl.** **D15/7**

FIG. 3 is a top plan side view thereof;

(58) **Field of Search** D15/7-9; D23/231,
D23/232; 417/234, 239, 321, 410-411,
265, 415, 419; 366/605; 401/146, 197,
218-219

FIG. 4 is a view taken from the left side thereof;

FIG. 5 is a bottom plan view thereof;

FIG. 6 is a view taken from the right side thereof;

FIG. 7 is a front elevational view thereof with the front of the housing removed showing the pump and rear of the housing in front elevational view;

(56) **References Cited**

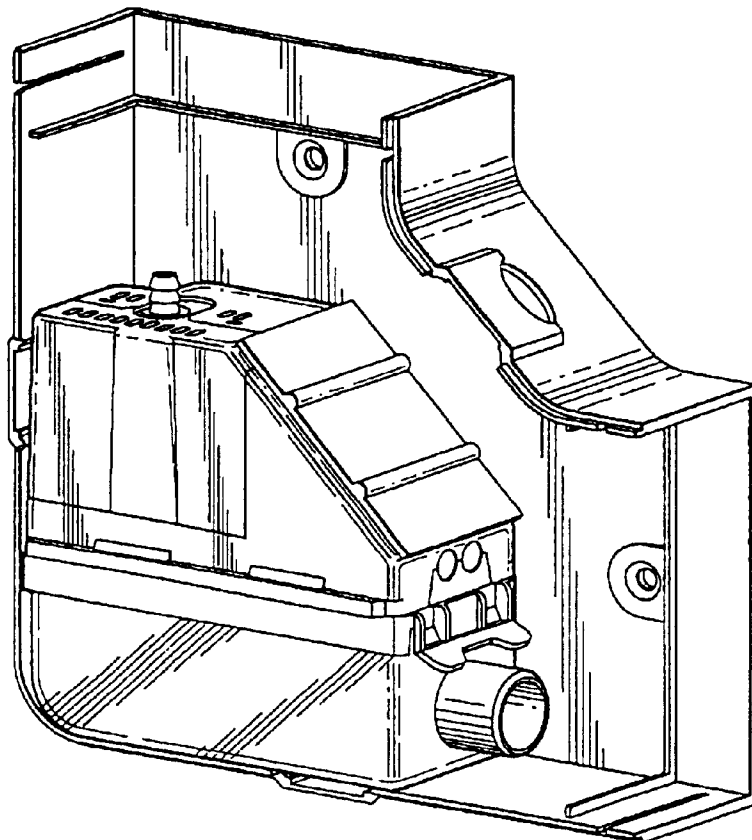
U.S. PATENT DOCUMENTS

D306,447 S * 3/1990 Whitley, II D15/7
D316,098 S * 4/1991 Kille D15/7
D327,075 S * 6/1992 Tiedemann D15/7
D352,947 S * 11/1994 Colin et al. D15/7

FIG. 8 is a view of the pump with the front of the housing removed of FIG. 7 shown in front perspective view; and,

FIG. 9 is a front perspective view of the rear of the pump housing with the front of the housing and pump removed.

1 Claim, 5 Drawing Sheets



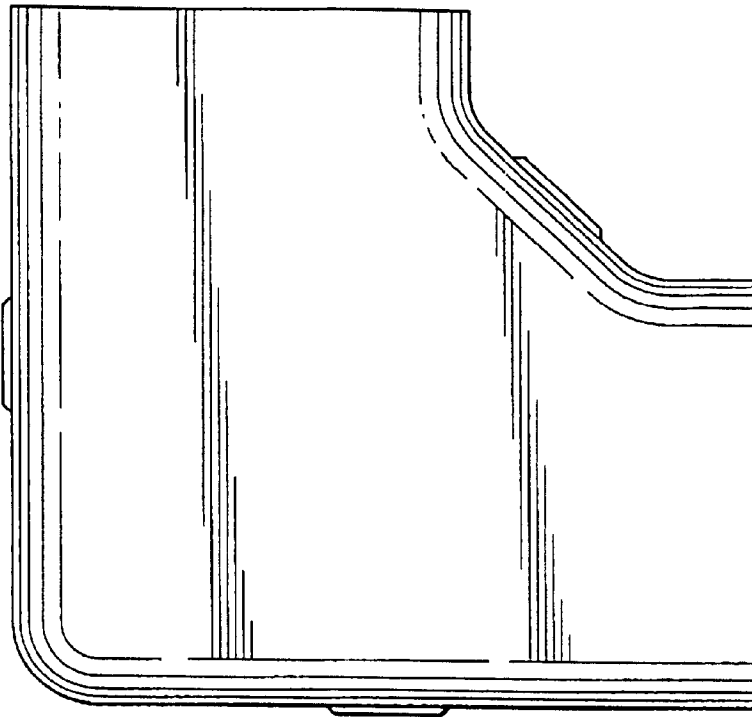


FIG. 1

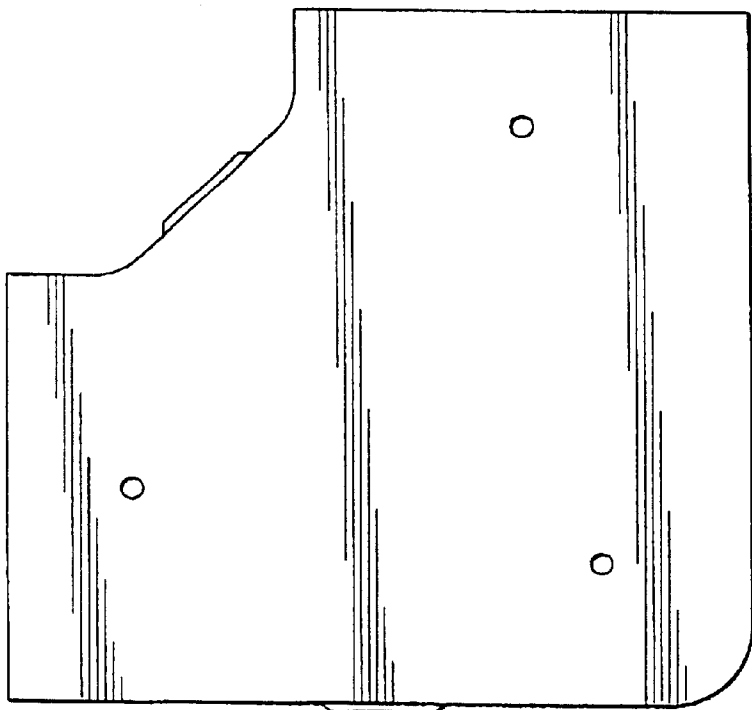


FIG. 2

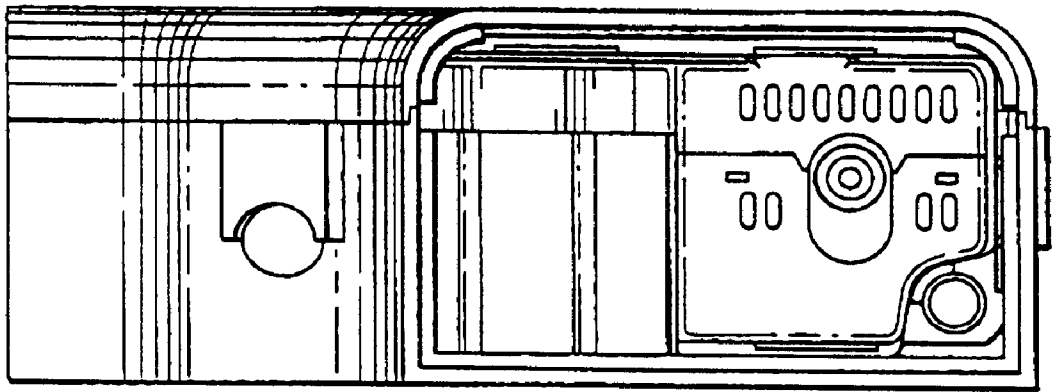


FIG. 3

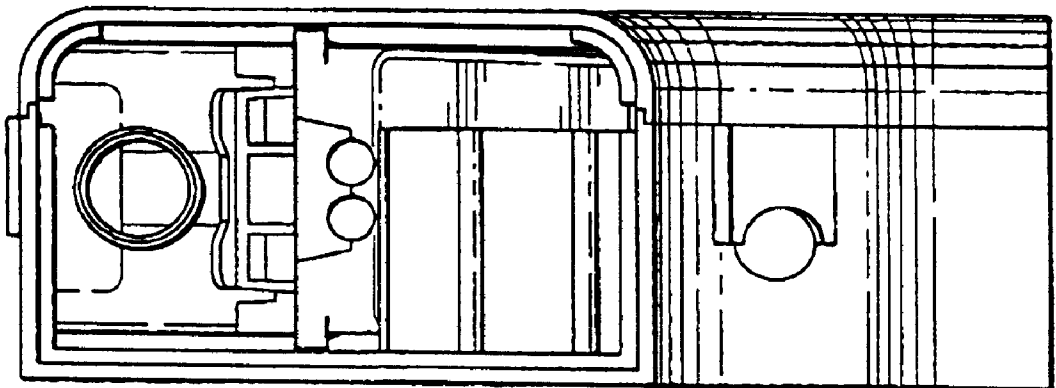


FIG. 4

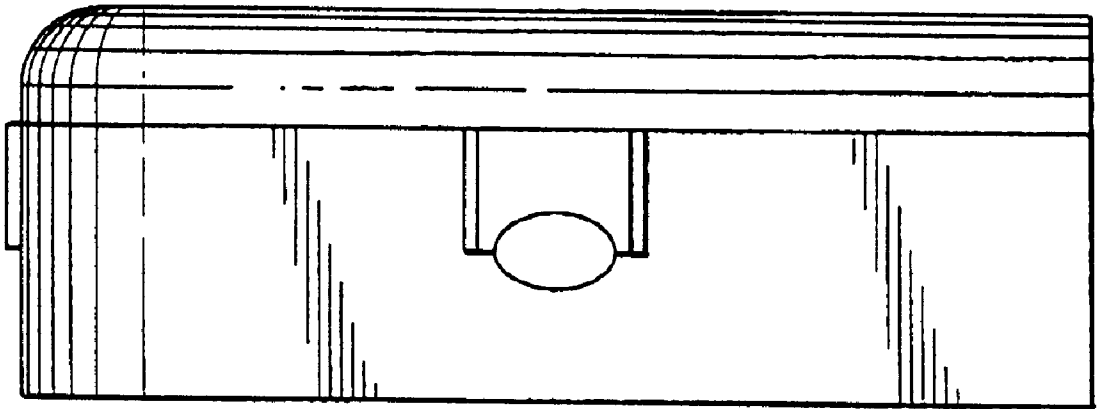


FIG. 5

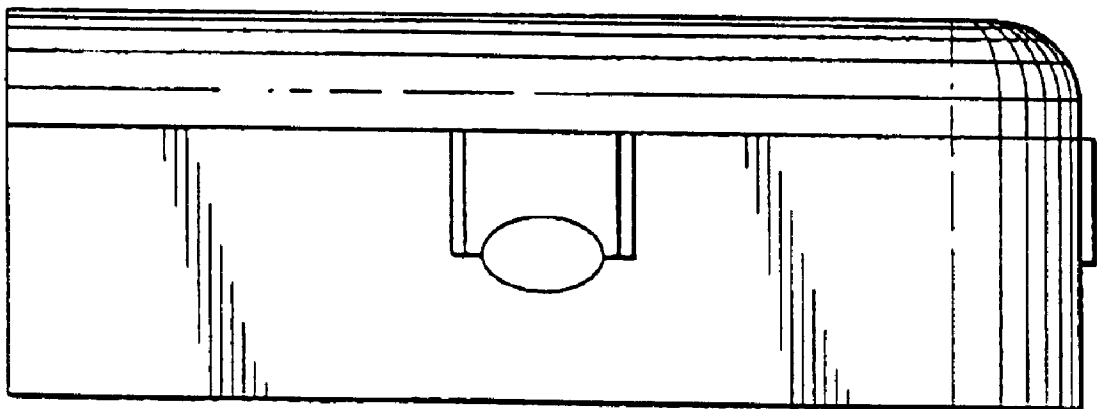


FIG. 6

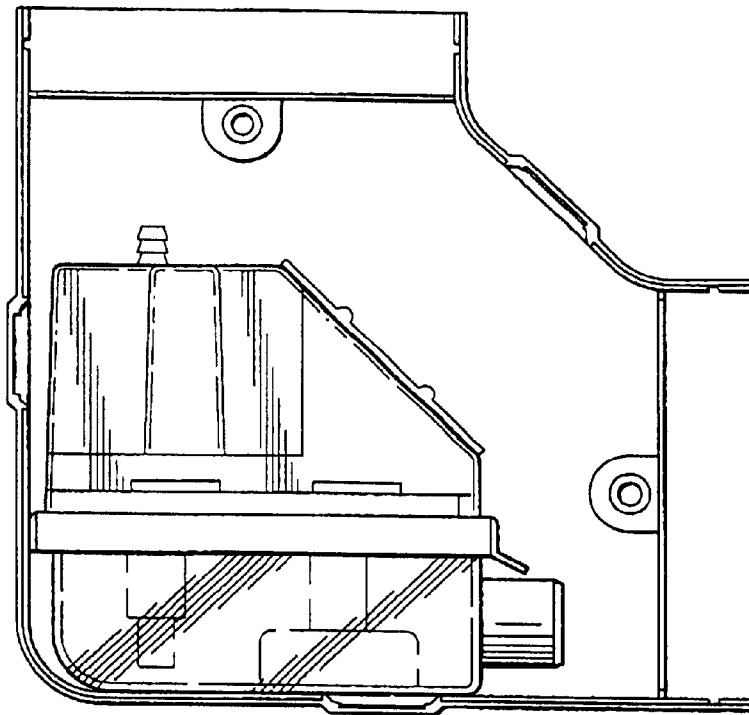


FIG. 7

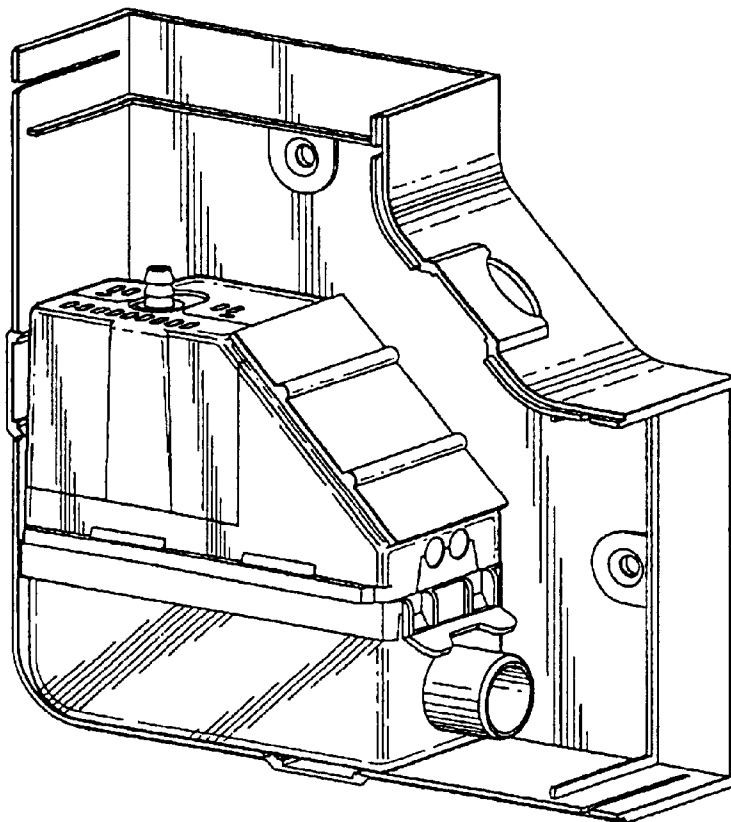


FIG. 8

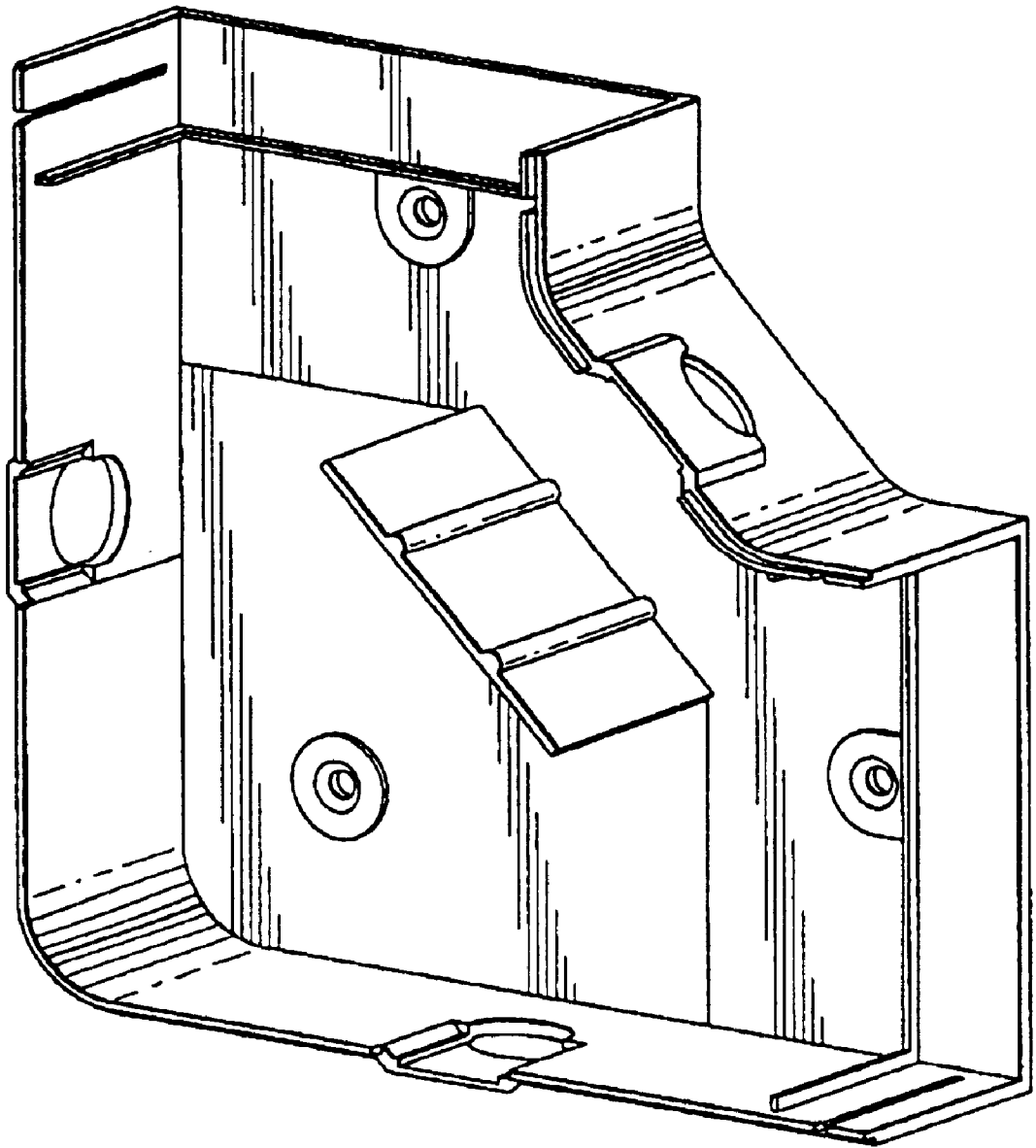


FIG. 9