



US00D831772S

(12) **United States Design Patent**
Hanley

(10) **Patent No.:** **US D831,772 S**
(45) **Date of Patent:** **** Oct. 23, 2018**

(54) **POINTED TOP AIR SUSPENDED PLAY FORT WITH WINDOW**

FOREIGN PATENT DOCUMENTS

WO 2017024291 A2 2/2017

(71) Applicant: **AIR FORT, LLC**, Del Mar, CA (US)

(72) Inventor: **Edward Hanley**, Del Mar, CA (US)

(**) Term: **15 Years**

(21) Appl. No.: **29/627,799**

(22) Filed: **Nov. 29, 2017**

(51) **LOC (11) Cl.** **21-04**

(52) **U.S. Cl.**
USPC **D21/834**

(58) **Field of Classification Search**
USPC D21/834, 835, 836, 837, 838, 839, 840
CPC E04H 15/00; E04H 15/02; E04H 15/18;
E04H 15/28; E04H 15/32; E04H 15/34;
E04H 15/40; E04H 15/42; E04H 15/425;
E04H 15/50

See application file for complete search history.

(56) **References Cited**

U.S. PATENT DOCUMENTS

2,910,994	A	11/1959	Joy	
3,284,969	A *	11/1966	Walters E04B 1/3211 52/578
3,862,876	A	1/1975	Graves	
4,634,618	A	1/1987	Greer et al.	
D305,790	S *	1/1990	Soderstrom D21/834
5,485,701	A *	1/1996	Hecht E04B 1/3211 446/476
D370,266	S *	5/1996	Queen D25/18
5,636,478	A	6/1997	Chen	
5,970,661	A	10/1999	Bishop et al.	
D418,573	S *	1/2000	Ju D21/834
6,363,551	B1	4/2002	Flores	
6,421,963	B1 *	7/2002	Pratola A63H 33/008 135/94
D484,942	S *	1/2004	Rapaport D21/834
D560,741	S *	1/2008	Bernart D21/836

(Continued)

OTHER PUBLICATIONS

Air Fort, "Air Fort in Action," <<https://www.youtube.com/watch?v=q18cz2Qwfzo>> webpage accessed Feb. 16, 2017.

(Continued)

Primary Examiner — Robin V Webster

Assistant Examiner — Keith J Wilson

(74) *Attorney, Agent, or Firm* — David B. Waller

(57) **CLAIM**

The ornamental design for a pointed top air suspended play fort with window, as shown and described.

DESCRIPTION

FIG. 1 is a perspective view of the pointed top air suspended play fort with window.

FIG. 2 is a side view of the pointed top air suspended play fort with window.

FIG. 3 is a side view of the pointed top air suspended play fort with window.

FIG. 4 is a front view of the pointed top air suspended play fort with window.

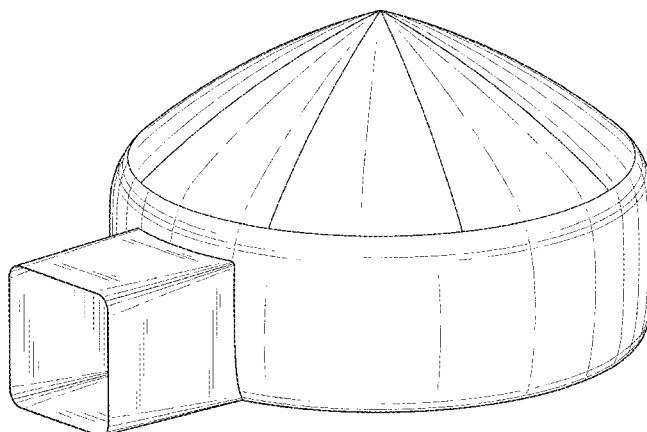
FIG. 5 is a back view of the pointed top air suspended play fort with window.

FIG. 6 is a top view of the pointed top air suspended play fort with window; and,

FIG. 7 is a bottom view of the pointed top air suspended play fort with window.

The present application is directed to the design illustrated in the drawings. The elements shown in broken lines are included for illustrative purposes only and form no part of the claimed design.

1 Claim, 7 Drawing Sheets



(56)

References Cited

U.S. PATENT DOCUMENTS

D652,885 S * 1/2012 Frey D21/834
D667,912 S * 9/2012 O'Neil D21/835
D739,614 S * 9/2015 Ausman D30/121
2006/0285836 A1 12/2006 Coppola

OTHER PUBLICATIONS

Air Fort, "Air Fort," <<https://web.archive.org/web/20160108165436/myairfort.com/>> webpage accessed Feb. 16, 2017.

International Search Report and Written Opinion for Application No. PCT/US2016/045926 dated Mar. 24, 2017 (9 pages).

Lindstrom, "Remember fun filled fantasies in fan filled forts?," <<https://www.kickstarter.com/projects/1353512235/remember-fun-filled-fantasies-in-fan-filled-forts/updates>> webpage accessed Feb. 16, 2017.

* cited by examiner

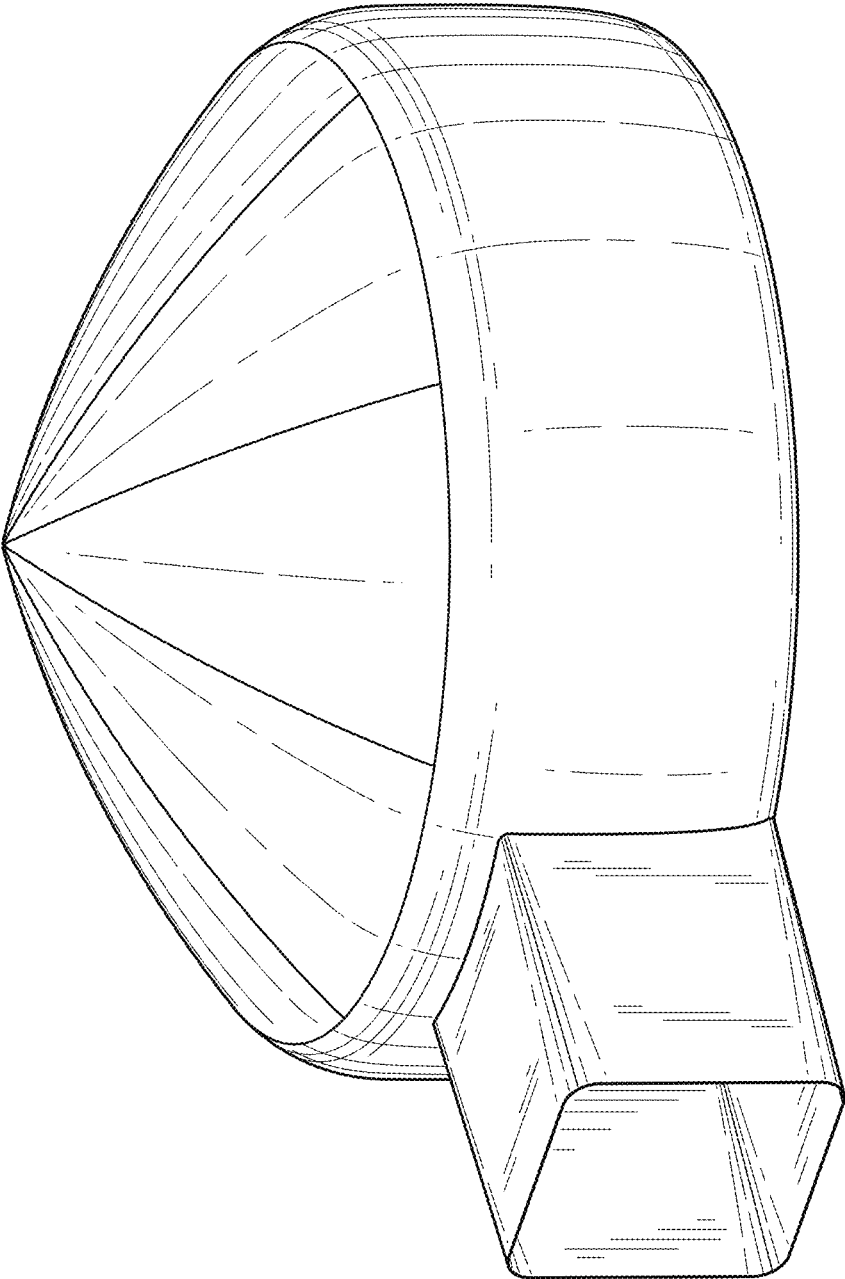


FIG. 1

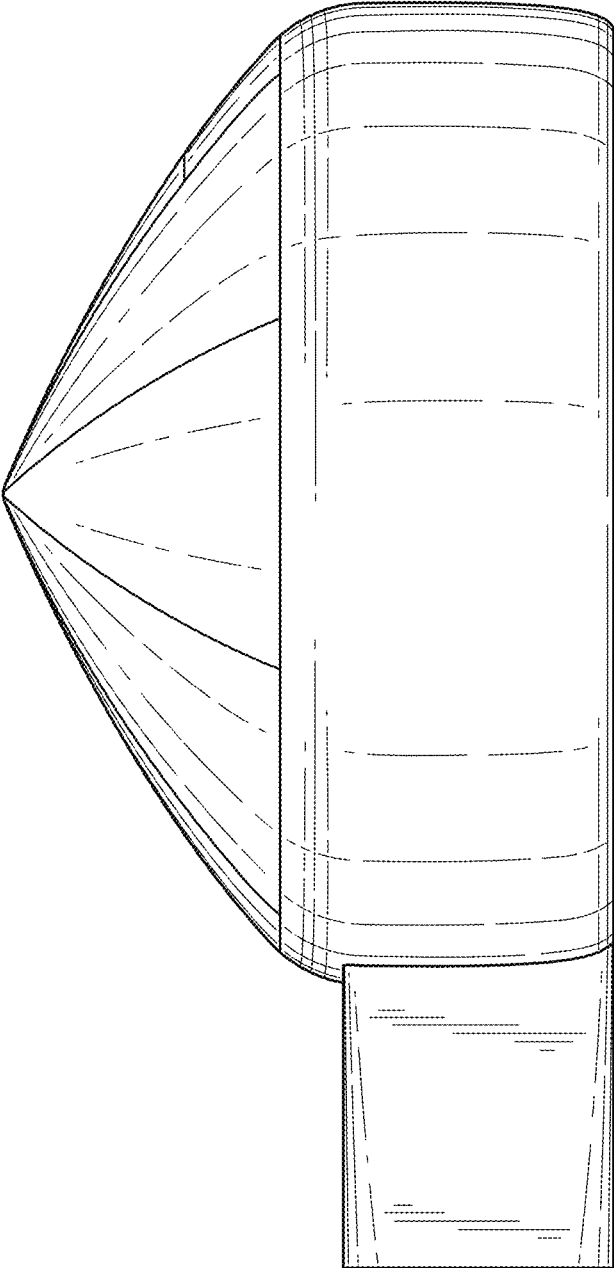


FIG. 2

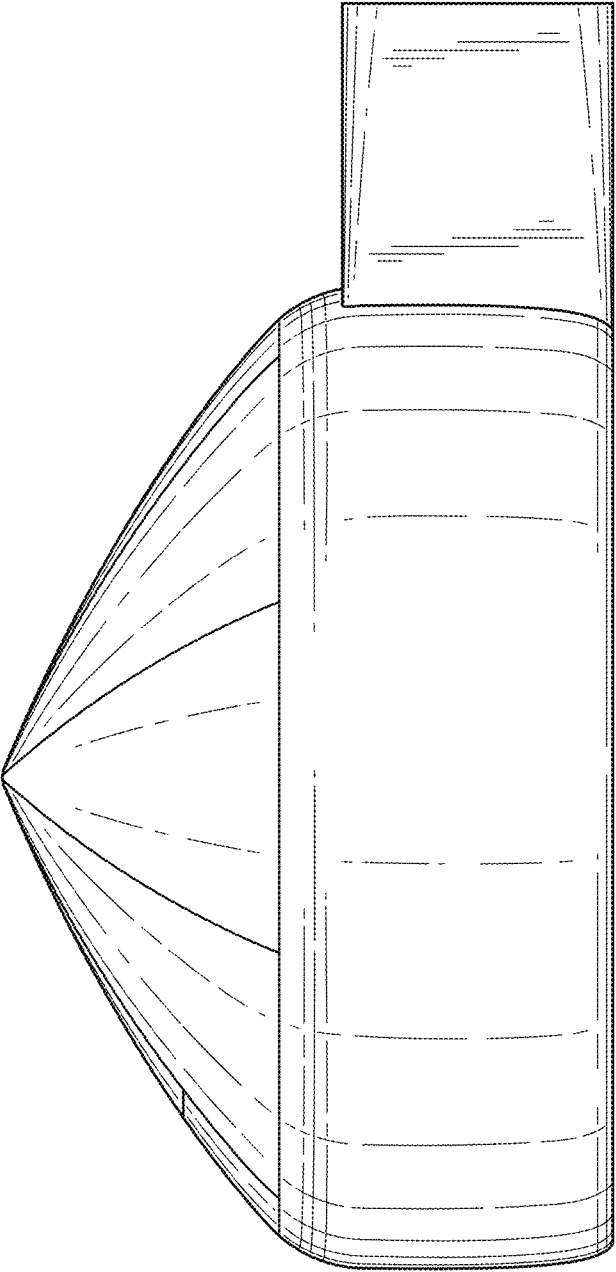


FIG. 3

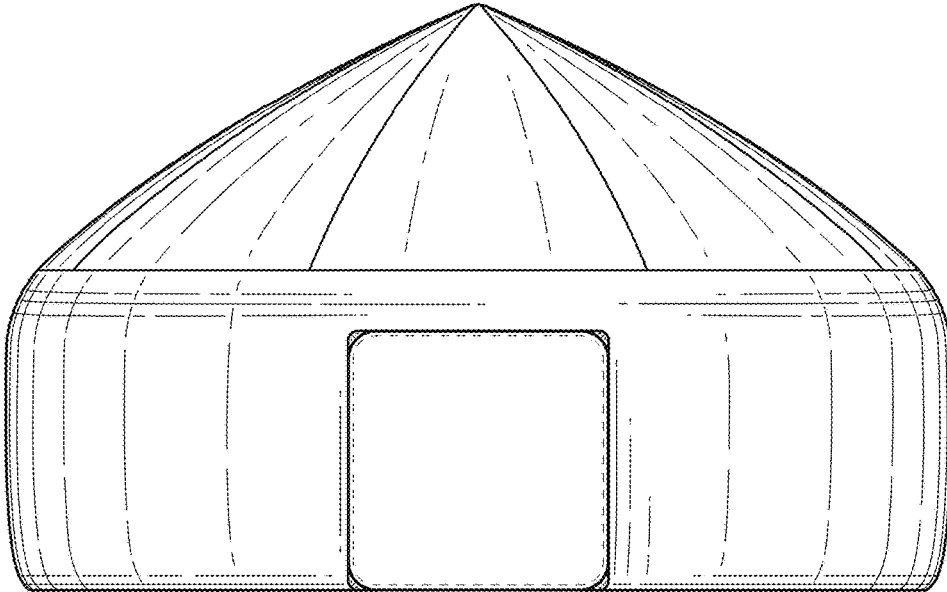


FIG. 4

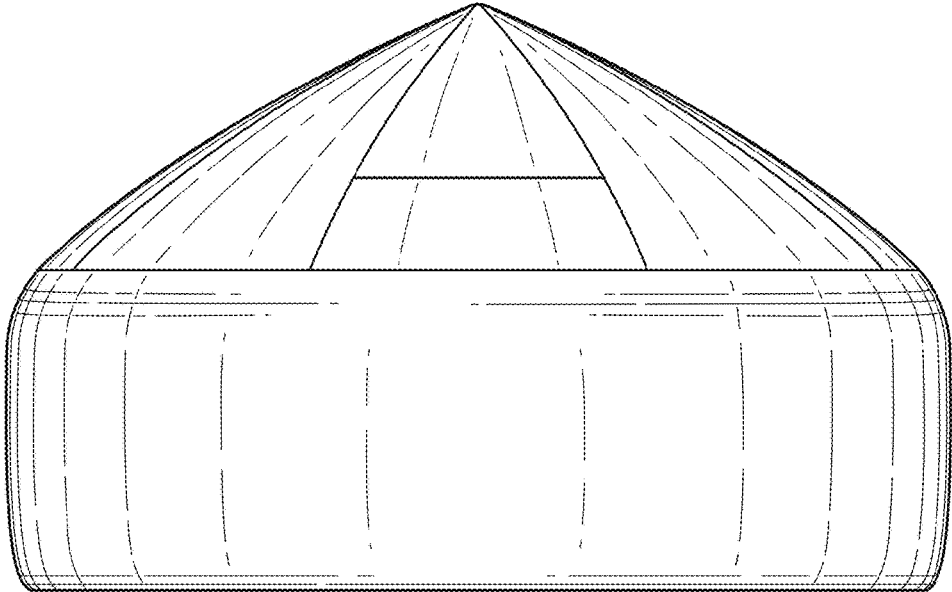


FIG. 5

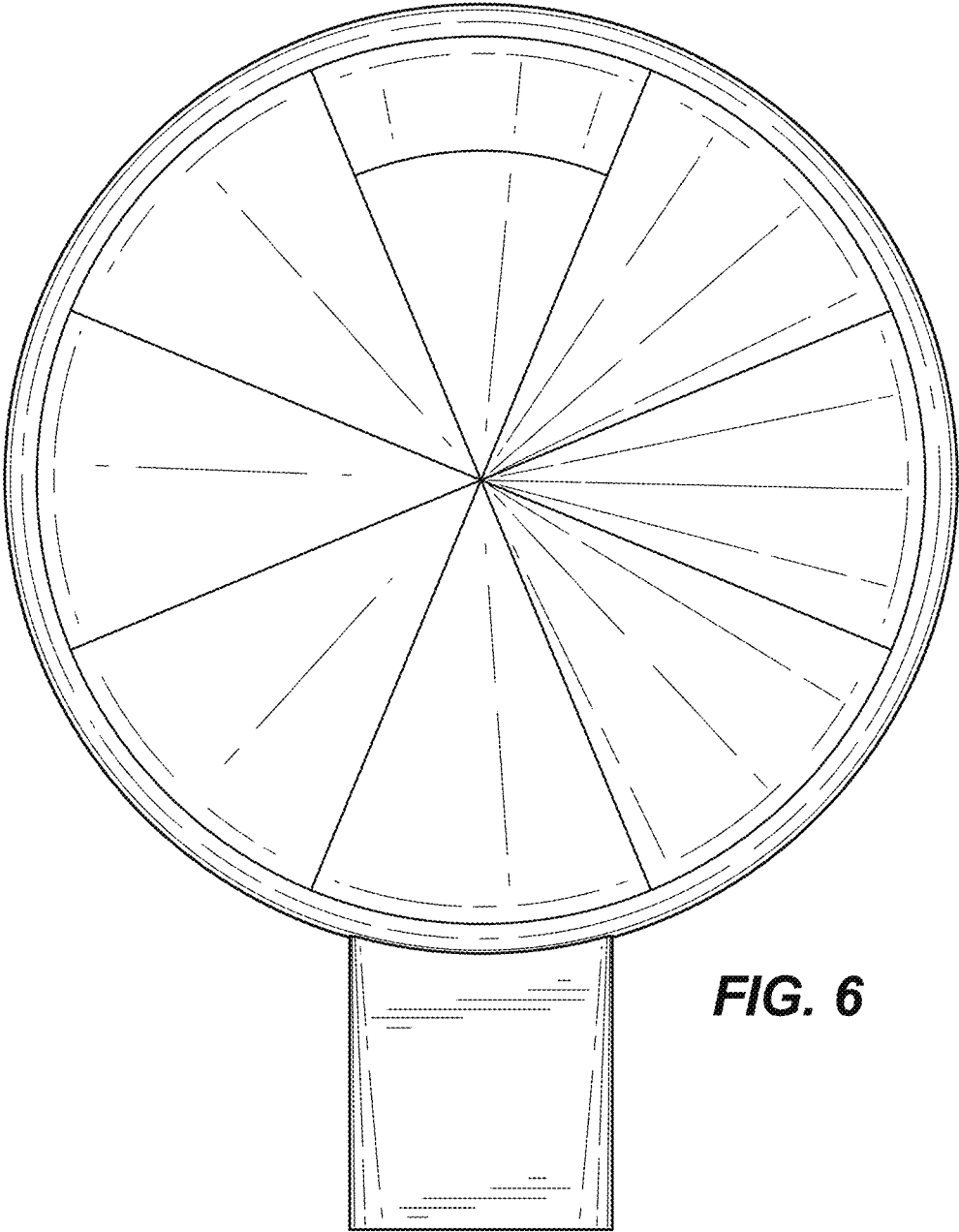


FIG. 6

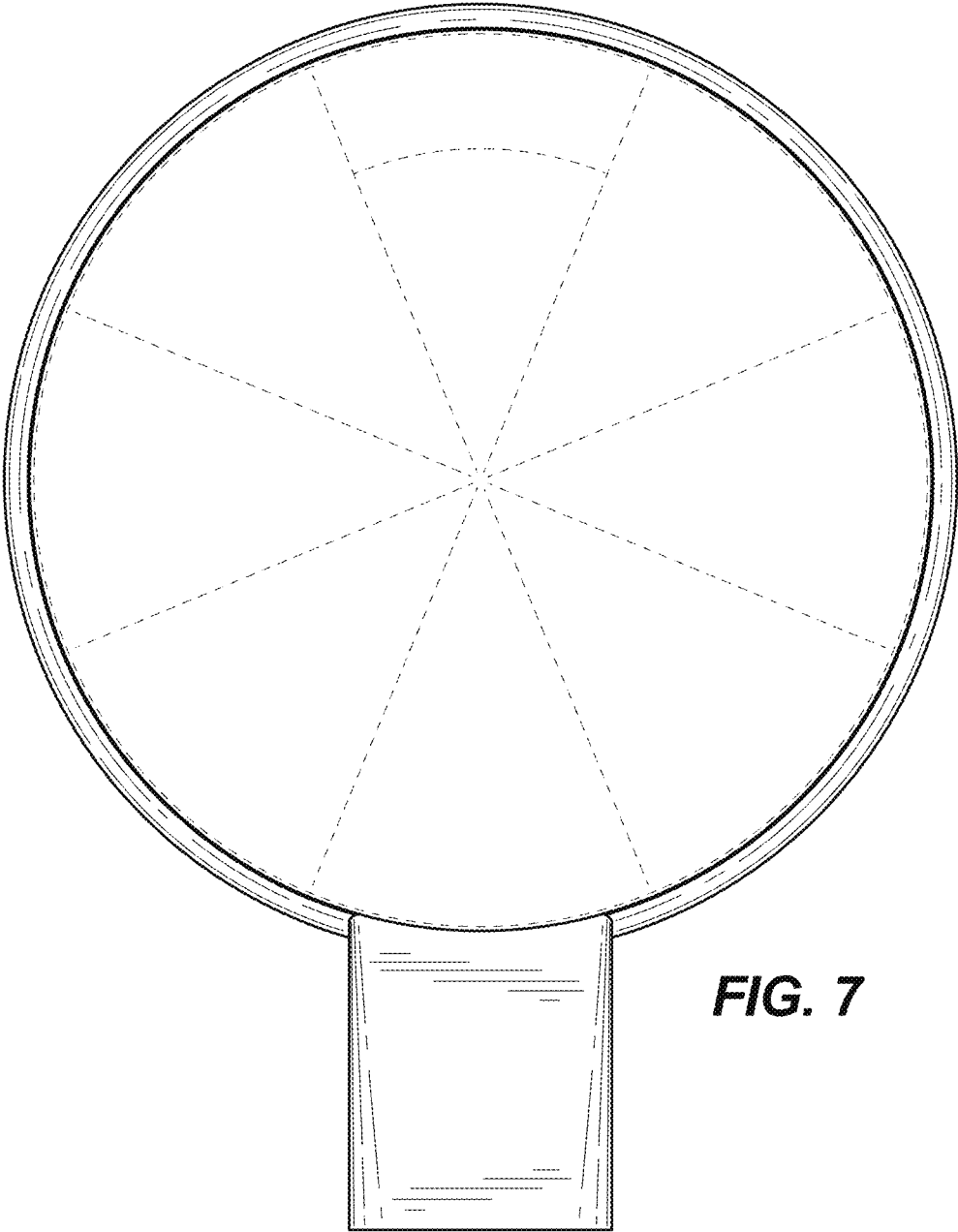


FIG. 7