

(19) World Intellectual Property Organization  
International Bureau



(43) International Publication Date  
14 June 2001 (14.06.2001)

PCT

(10) International Publication Number  
**WO 01/42647 A3**

(51) International Patent Classification<sup>7</sup>: **F03D 1/06**

Hengelo (NL). **SCHERER, Ralf, Roger** [DE/ES]; Calle Mas Gran, 6 A, E-17003 Girona (ES).

(21) International Application Number: PCT/NL00/00872

(22) International Filing Date:  
29 November 2000 (29.11.2000)

(74) Agent: **GROOTSCHOLTEN, Johannes, Antonius, Maria**; Arnold & Siedsma, Sweelinckplein 1, NL-2517 GK The Hague (NL).

(25) Filing Language: English

(26) Publication Language: English

(30) Priority Data:  
1013807 9 December 1999 (09.12.1999) NL

(81) Designated States (*national*): AE, AG, AL, AM, AT, AU, AZ, BA, BB, BG, BR, BY, BZ, CA, CH, CN, CR, CU, CZ, DE, DK, DM, DZ, EE, ES, FI, GB, GD, GE, GH, GM, HR, HU, ID, IL, IN, IS, JP, KE, KG, KP, KR, KZ, LC, LK, LR, LS, LT, LU, LV, MA, MD, MG, MK, MN, MW, MX, MZ, NO, NZ, PL, PT, RO, RU, SD, SE, SG, SI, SK, SL, TJ, TM, TR, TT, TZ, UA, UG, US, UZ, VN, YU, ZA, ZW.

(71) Applicant (*for all designated States except US*): **AER-PAC HOLDING B.V.** [NL/NL]; Bedrijvenparksingel 96, NL-7602 KD Almelo (NL).

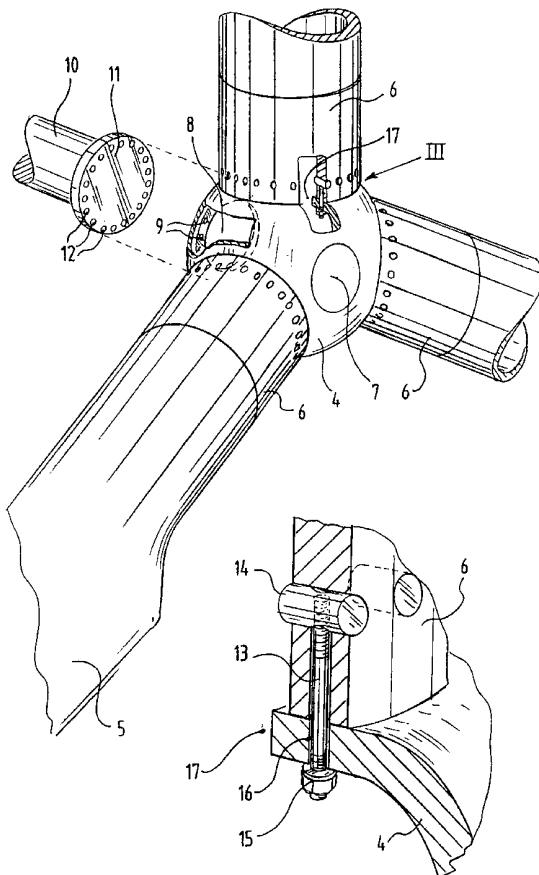
(72) Inventors; and

(75) Inventors/Applicants (*for US only*): **HEERKES, Hendrik, Jan** [NL/NL]; Arturo Toscaninstraat 1, NL-7558 DZ

(84) Designated States (*regional*): ARIPO patent (GH, GM, KE, LS, MW, MZ, SD, SL, SZ, TZ, UG, ZW), Eurasian patent (AM, AZ, BY, KG, KZ, MD, RU, TJ, TM), European patent (AT, BE, CH, CY, DE, DK, ES, FI, FR, GB, GR, IE,

[Continued on next page]

(54) Title: WIND TURBINE ROTOR, AND HUB AND EXTENDER THEREFOR



(57) Abstract: The invention relates to a rotor for a wind turbine, which wind turbine comprises: a support construction, for instance a post, a column or a spatial tube construction; and a generator supported by this support construction and having an outward protruding horizontal shaft which is rotatably mounted and carries a generator rotor forming part of the generator; which rotor comprises the following rotor parts: a hub with first coupling means for releasable rigid coupling of the hub in coaxial relation to the end of the shaft; and a number of blades which are coupled rigidly and releasably to the hub by means of respective second coupling means via the ends of their respective blade roots; wherein the hub and each blade root consist of composite material.



WO 01/42647 A3



IT, LU, MC, NL, PT, SE, TR), OAPI patent (BF, BJ, CF, CG, CI, CM, GA, GN, GW, ML, MR, NE, SN, TD, TG).

**(88) Date of publication of the international search report:**  
31 January 2002

**Published:**  
— with international search report

*For two-letter codes and other abbreviations, refer to the "Guidance Notes on Codes and Abbreviations" appearing at the beginning of each regular issue of the PCT Gazette.*

# INTERNATIONAL SEARCH REPORT

International Application No

PCT/NL 00/00872

**A. CLASSIFICATION OF SUBJECT MATTER**

IPC 7 F03D1/06

According to International Patent Classification (IPC) or to both national classification and IPC

**B. FIELDS SEARCHED**

Minimum documentation searched (classification system followed by classification symbols)

IPC 7 F03D

Documentation searched other than minimum documentation to the extent that such documents are included in the fields searched

Electronic data base consulted during the international search (name of data base and, where practical, search terms used)

EPO-Internal, WPI Data, PAJ

**C. DOCUMENTS CONSIDERED TO BE RELEVANT**

Category °	Citation of document, with indication, where appropriate, of the relevant passages	Relevant to claim No.
X	DE 197 33 372 C (WOBLEN ALOYS) 7 January 1999 (1999-01-07) figures ----	1,10-15
X	HAU ERICH: "WINDKRAFTANLAGEN" 1996, SPRINGER VERLAG, BERLIN XP002143305 241430 page 186 -page 213 page 202; figure 7.14 page 207; figure 7.20 page 208; figure 7.22 ----	1,10-15
A	US 4 420 354 A (GOUGEON MEADE A ET AL) 13 December 1983 (1983-12-13) ----	
A	US 4 260 332 A (WEINGART OSCAR ET AL) 7 April 1981 (1981-04-07) ----- -/--	

Further documents are listed in the continuation of box C.

Patent family members are listed in annex.

° Special categories of cited documents:

- \*A\* document defining the general state of the art which is not considered to be of particular relevance
- \*E\* earlier document but published on or after the international filing date
- \*L\* document which may throw doubts on priority claim(s) or which is cited to establish the publication date of another citation or other special reason (as specified)
- \*O\* document referring to an oral disclosure, use, exhibition or other means
- \*P\* document published prior to the international filing date but later than the priority date claimed

- \*T\* later document published after the international filing date or priority date and not in conflict with the application but cited to understand the principle or theory underlying the invention
- \*X\* document of particular relevance; the claimed invention cannot be considered novel or cannot be considered to involve an inventive step when the document is taken alone
- \*Y\* document of particular relevance; the claimed invention cannot be considered to involve an inventive step when the document is combined with one or more other such documents, such combination being obvious to a person skilled in the art.
- \*Z\* document member of the same patent family

Date of the actual completion of the international search

5 July 2001

Date of mailing of the international search report

11/07/2001

Name and mailing address of the ISA

European Patent Office, P.B. 5818 Patentlaan 2  
NL - 2280 HV Rijswijk  
Tel. (+31-70) 340-2040. Tx. 31 651 epo nl,  
Fax: (+31-70) 340-3016

Authorized officer

Raspo, F

# INTERNATIONAL SEARCH REPORT

International Application No

PCT/NL 00/00872

## C.(Continuation) DOCUMENTS CONSIDERED TO BE RELEVANT

Category *	Citation of document, with indication, where appropriate, of the relevant passages	Relevant to claim No.
A	US 4 236 873 A (SHERMAN ROBERT ET AL) 2 December 1980 (1980-12-02) ---	
A	US 4 915 590 A (ECKLAND JOHN E ET AL) 10 April 1990 (1990-04-10) -----	

# INTERNATIONAL SEARCH REPORT

Information on patent family members

International Application No

PCT/NL 00/00872

Patent document cited in search report	Publication date	Patent family member(s)	Publication date
DE 19733372 C	07-01-1999	BR 9810628 A WO 9906694 A EP 1000243 A	25-07-2000 11-02-1999 17-05-2000
US 4420354 A	13-12-1983	NONE	
US 4260332 A	07-04-1981	NONE	
US 4236873 A	02-12-1980	AU 524715 B AU 5055479 A BR 7905704 A CA 1117428 A DE 2937895 A DK 370079 A,B, FI 792920 A,B, FR 2436891 A GB 2029911 A,B IL 58197 A IN 151726 A IT 1123234 B JP 55043294 A JP 63040942 B NL 7906875 A NO 792997 A,B, SE 438013 B SE 7907722 A SU 1122236 A ZA 7904660 A	30-09-1982 27-03-1980 13-05-1980 02-02-1982 03-04-1980 21-03-1980 21-03-1980 18-04-1980 26-03-1980 31-01-1982 16-07-1983 30-04-1986 27-03-1980 15-08-1988 24-03-1980 21-03-1980 25-03-1985 21-03-1980 30-10-1984 27-08-1980
US 4915590 A	10-04-1990	NONE	