



US00D738583S

(12) **United States Design Patent**  
**Gidwell et al.**

(10) **Patent No.:** **US D738,583 S**

(45) **Date of Patent:** **\*\* Sep. 8, 2015**

(54) **SURFACE CLEANING HEAD**

FOREIGN PATENT DOCUMENTS

(71) Applicant: **Euro-Pro Operating LLC**, Newton, MA (US)

JP D1139509 \* 4/2002  
KR 300432761-0000 \* 12/2006

(Continued)

(72) Inventors: **Christopher Gidwell**, Auburndale, MA (US); **Gary Palladino**, Somerville, MA (US)

OTHER PUBLICATIONS

(73) Assignee: **Euro-Pro Operating LLC**, Newton, MA (US)

Amazon.com—Bissell FeatherWeight Vacuum Household Stick Vacuums, review Jan. 21, 2011, online, site visited Apr. 20, 2015, [http://www.amazon.com/BISSELL-FeatherWeight-Bagless-3106B-3106-1/dp/B002X5RZAI/ref=sr\\_1\\_5?s=home-garden&ie=UTF8&qid=1429576143&s...](http://www.amazon.com/BISSELL-FeatherWeight-Bagless-3106B-3106-1/dp/B002X5RZAI/ref=sr_1_5?s=home-garden&ie=UTF8&qid=1429576143&s...)

(Continued)

(\*\*) Term: **14 Years**

(21) Appl. No.: **29/472,264**

*Primary Examiner* — John Windmuller

(22) Filed: **Nov. 11, 2013**

*Assistant Examiner* — John R Yeh

(51) **LOC (10) Cl.** ..... **15-05**

(74) *Attorney, Agent, or Firm* — Yang IPCo, PLLC

(52) **U.S. Cl.**

(57) **CLAIM**

USPC ..... **D32/15**; D32/25

The ornamental design for a surface cleaning head, as shown and described.

(58) **Field of Classification Search**

**DESCRIPTION**

USPC ..... D32/15–25, 31, 33; 15/386, 334, 350, 15/410–412, 328; 55/459.1–459.2; 464/177

CPC ..... A47L 5/32; A47L 9/00; A47L 9/12; A47L 5/00

See application file for complete search history.

FIG. 1 is a perspective view from the front and above of the surface cleaning head of this invention;  
FIG. 2 is a perspective view from the rear and below of the surface cleaning head of this invention;  
FIG. 3 is a view of one side of the surface cleaning head of this invention;  
FIG. 4 is a front view of the surface cleaning head of this invention;  
FIG. 5 is a view of the other side of the surface cleaning head of this invention;  
FIG. 6 is a rear view of the surface cleaning head of this invention;  
FIG. 7 is a top view of the surface cleaning head of this invention; and,  
FIG. 8 is a bottom view of the surface cleaning head of this invention.

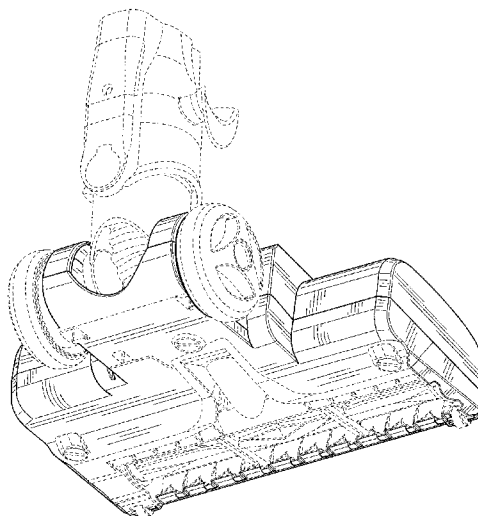
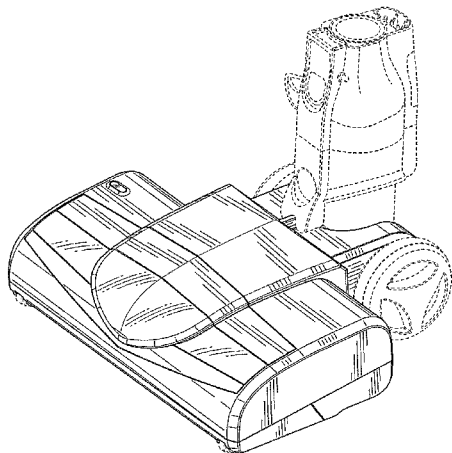
(56) **References Cited**

U.S. PATENT DOCUMENTS

3,608,333	A	*	9/1971	Selley et al.	.....	464/177
6,101,669	A		8/2000	Martin et al.		
6,317,920	B1	*	11/2001	Brickner et al.	.....	15/334
D515,754	S	*	2/2006	Kaido et al.	.....	D32/22
D518,928	S	*	4/2006	Chiba	.....	D32/22
D570,563	S	*	6/2008	Umeda et al.	.....	D32/22
D577,163	S		9/2008	Dyson et al.		
D581,609	S		11/2008	Conrad et al.		
D585,608	S		1/2009	Conrad et al.		
D610,318	S	*	2/2010	Shin	.....	D32/22

(Continued)

**1 Claim, 8 Drawing Sheets**



(56)

References Cited

U.S. PATENT DOCUMENTS

7,931,716 B2 4/2011 Oakham  
 D655,468 S \* 3/2012 Karsan ..... D32/33  
 8,146,201 B2 4/2012 Conrad  
 D660,532 S \* 5/2012 Kim ..... D32/22  
 D668,010 S 9/2012 Stickney et al.  
 D668,823 S 10/2012 Stickney et al.  
 D671,283 S \* 11/2012 Paterson ..... D32/22  
 D671,695 S \* 11/2012 Seo et al. .... D32/18  
 D695,980 S \* 12/2013 Thorne ..... D32/22  
 8,677,554 B2 \* 3/2014 Conrad ..... 15/334  
 8,689,395 B2 4/2014 Conrad  
 8,739,358 B2 \* 6/2014 Stephens et al. .... 15/331  
 D722,211 S \* 2/2015 Thackray et al. .... D32/22  
 8,943,647 B1 \* 2/2015 Henderson ..... 15/347  
 2007/0209142 A1 \* 9/2007 Pullins et al. .... 15/334  
 2010/0229328 A1 9/2010 Conrad  
 2011/0209301 A1 \* 9/2011 Seo et al. .... 15/300.1  
 2011/0283476 A1 \* 11/2011 Tam ..... 15/328  
 2012/0124769 A1 \* 5/2012 Krebs et al. .... 15/319  
 2014/0237754 A1 \* 8/2014 Conrad ..... 15/328  
 2014/0237768 A1 \* 8/2014 Conrad ..... 15/353

2014/0245562 A1 \* 9/2014 Conrad ..... 15/323  
 2015/0007409 A1 \* 1/2015 Conrad ..... 15/329  
 2015/0040340 A1 \* 2/2015 Bilger et al. .... 15/329  
 2015/0096144 A1 \* 4/2015 Conrad ..... 15/353

FOREIGN PATENT DOCUMENTS

KR 300454660-0000 \* 7/2007  
 KR 300578464-0000 \* 11/2010

OTHER PUBLICATIONS

Amazon.com Dirt Devil Swift Stick Bagless Stick Vacuum, M083410RED—Household Stick Vacuums, review Oct. 14, 2007, online, site visited Apr. 20, 2015, [http://www.amazon.com/Dirt-Devil-Bagless-Vacuum-M083410RED/dp/B000BPaiHY/ref=sr\\_1\\_8?s=home-garden&ie=UTF8&qid=1429575588&sr=1-8](http://www.amazon.com/Dirt-Devil-Bagless-Vacuum-M083410RED/dp/B000BPaiHY/ref=sr_1_8?s=home-garden&ie=UTF8&qid=1429575588&sr=1-8).  
 Amazon.com—Hoover Linx Cordless Stick Vacuum Cleaner, BH50010—Household Upright Vacuums, review Mar. 17, 2009, online, site visited Apr. 20, 2015, [http://www.amazon.com/Hoover-Cordless-Vacuum-Cleaner-BH50010/dp/B001PB8EJ2/ref=sr\\_1\\_2?s=home-garden&ie=UTF8&qid=1429575298&sr=1-2](http://www.amazon.com/Hoover-Cordless-Vacuum-Cleaner-BH50010/dp/B001PB8EJ2/ref=sr_1_2?s=home-garden&ie=UTF8&qid=1429575298&sr=1-2).

\* cited by examiner

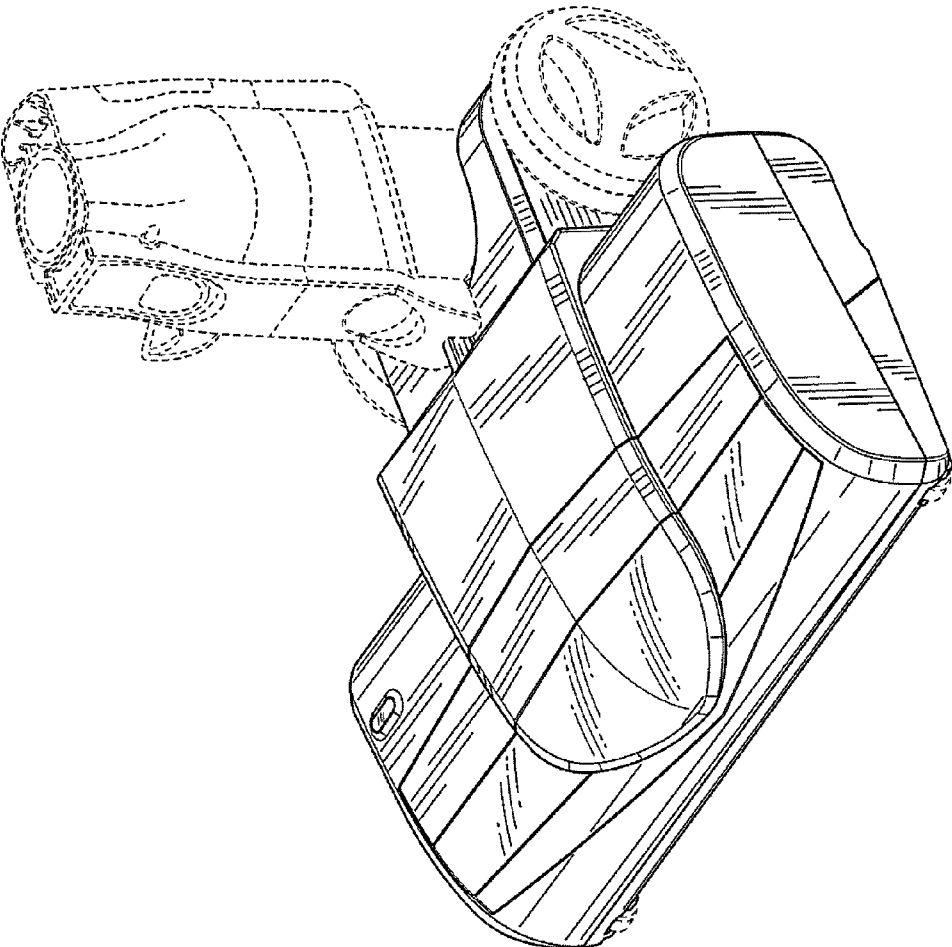
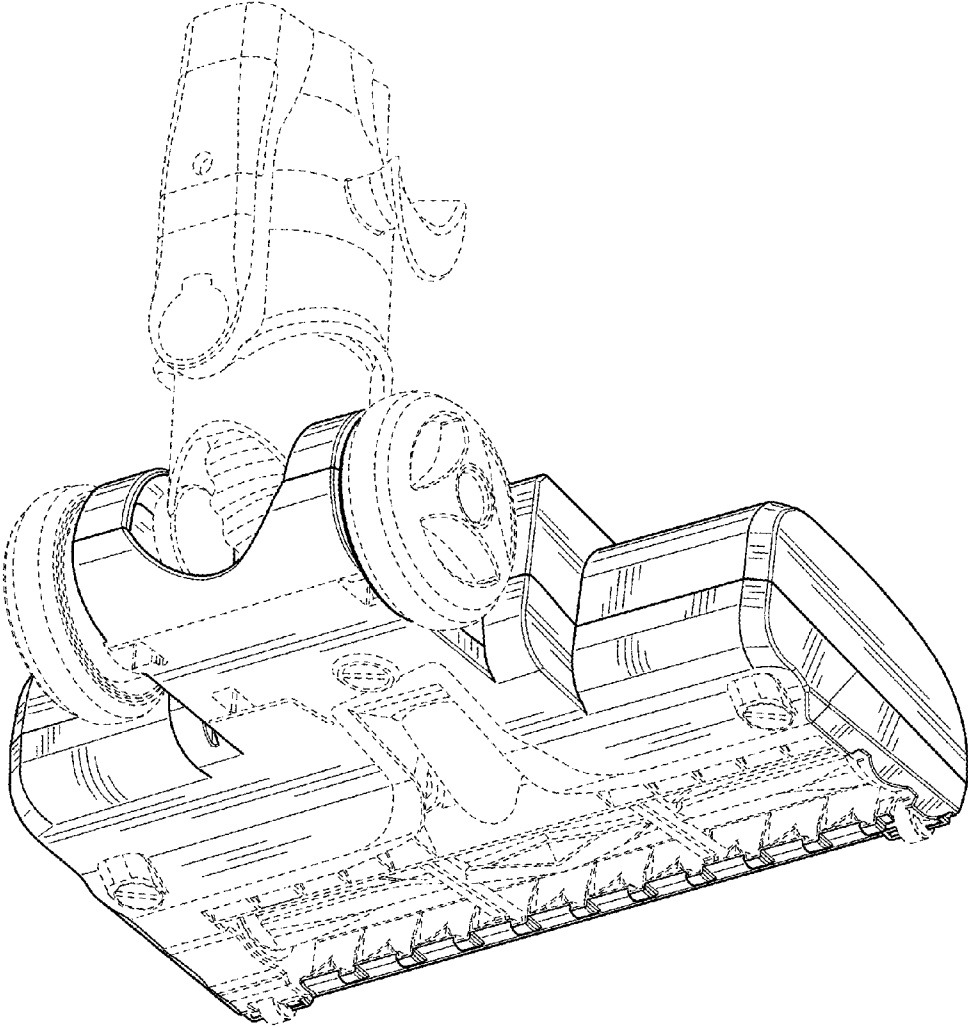
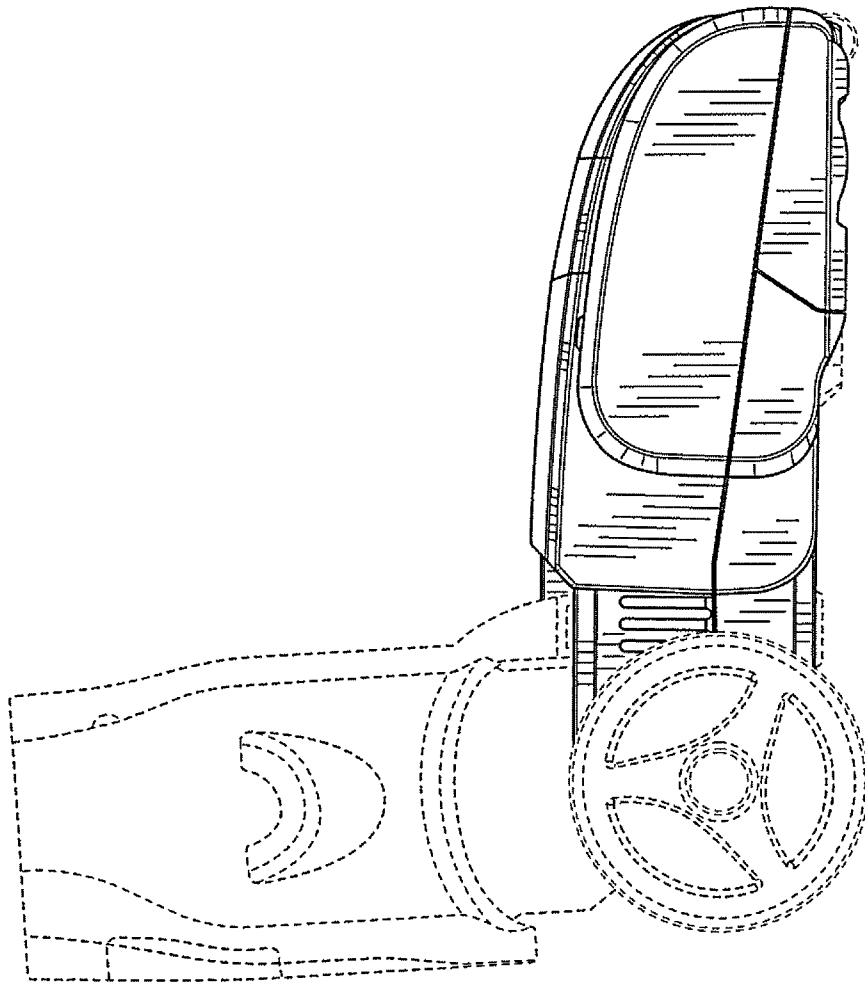


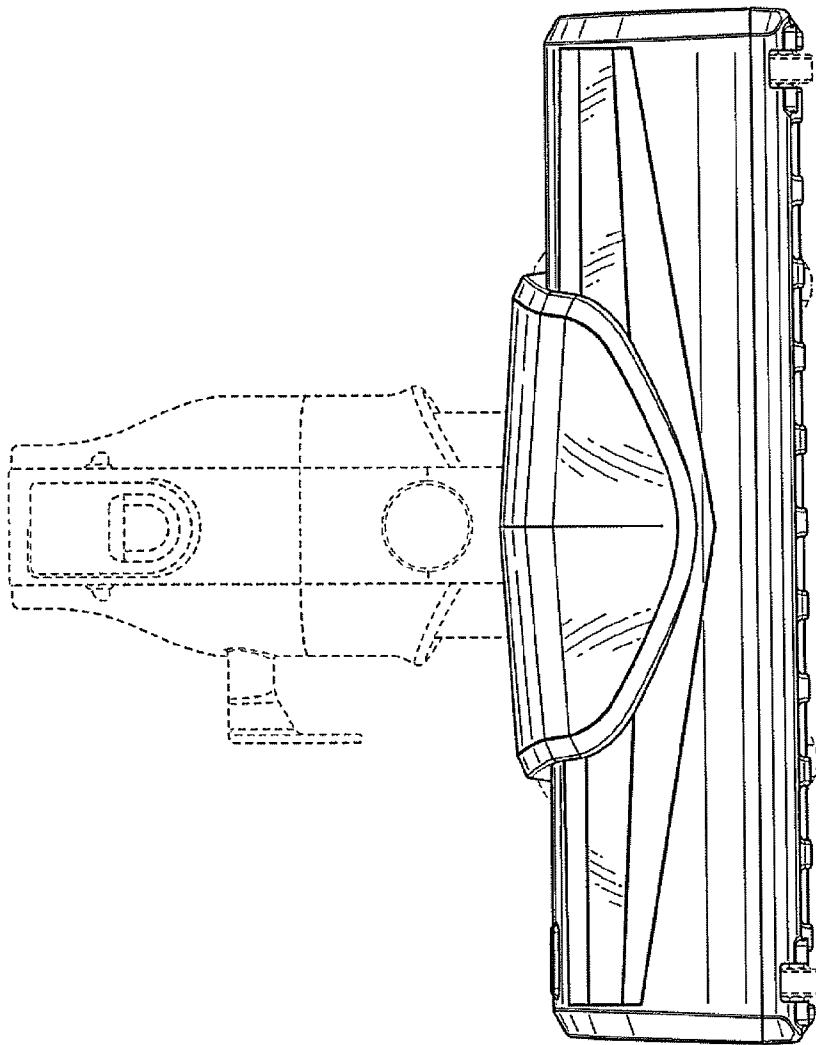
FIG. 1



**FIG. 2**



**FIG. 3**



**FIG. 4**

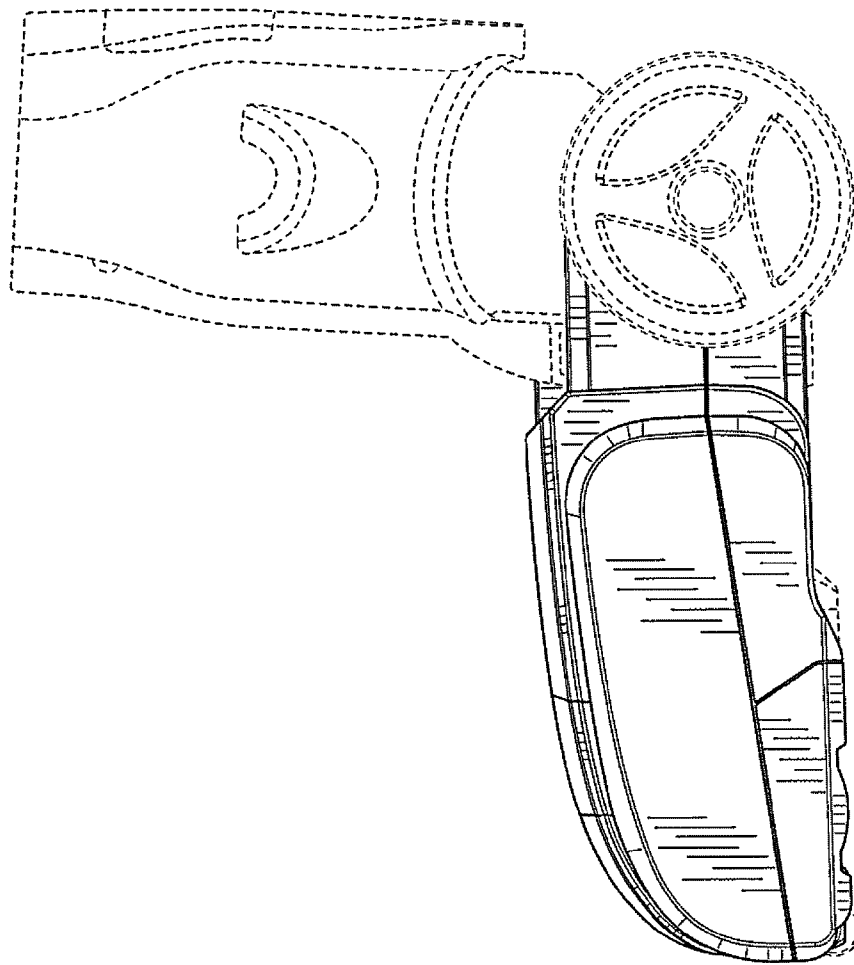
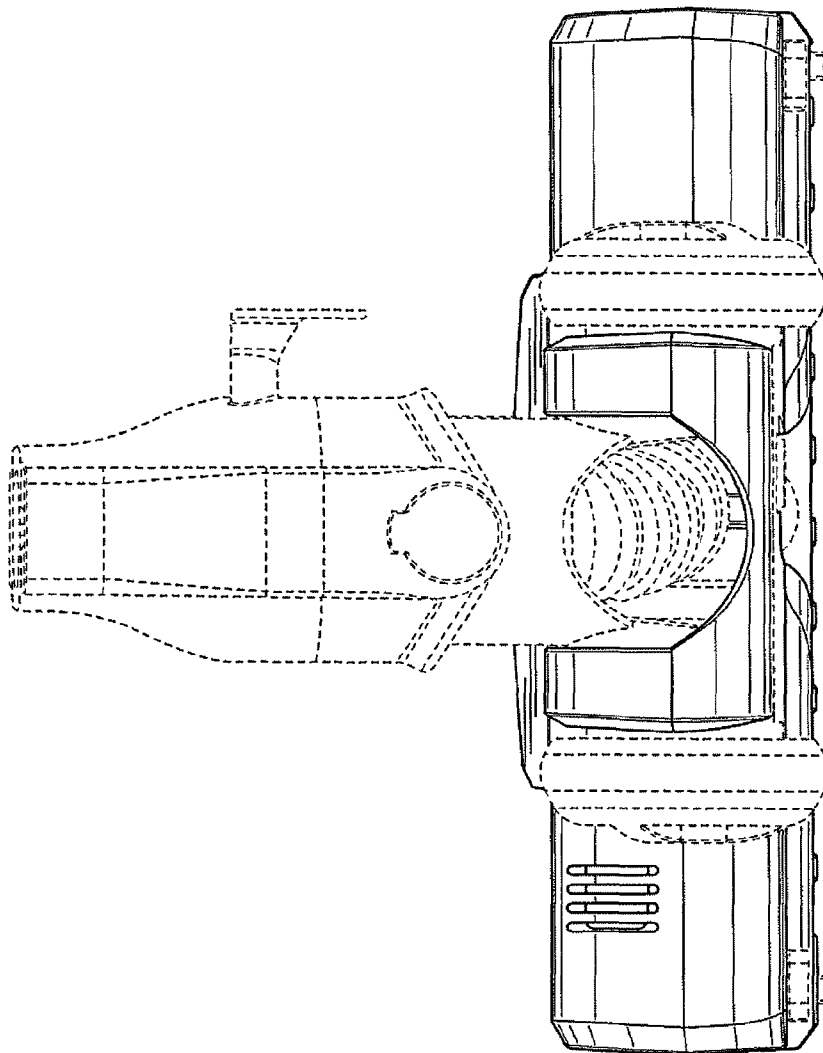


FIG. 5



**FIG. 6**

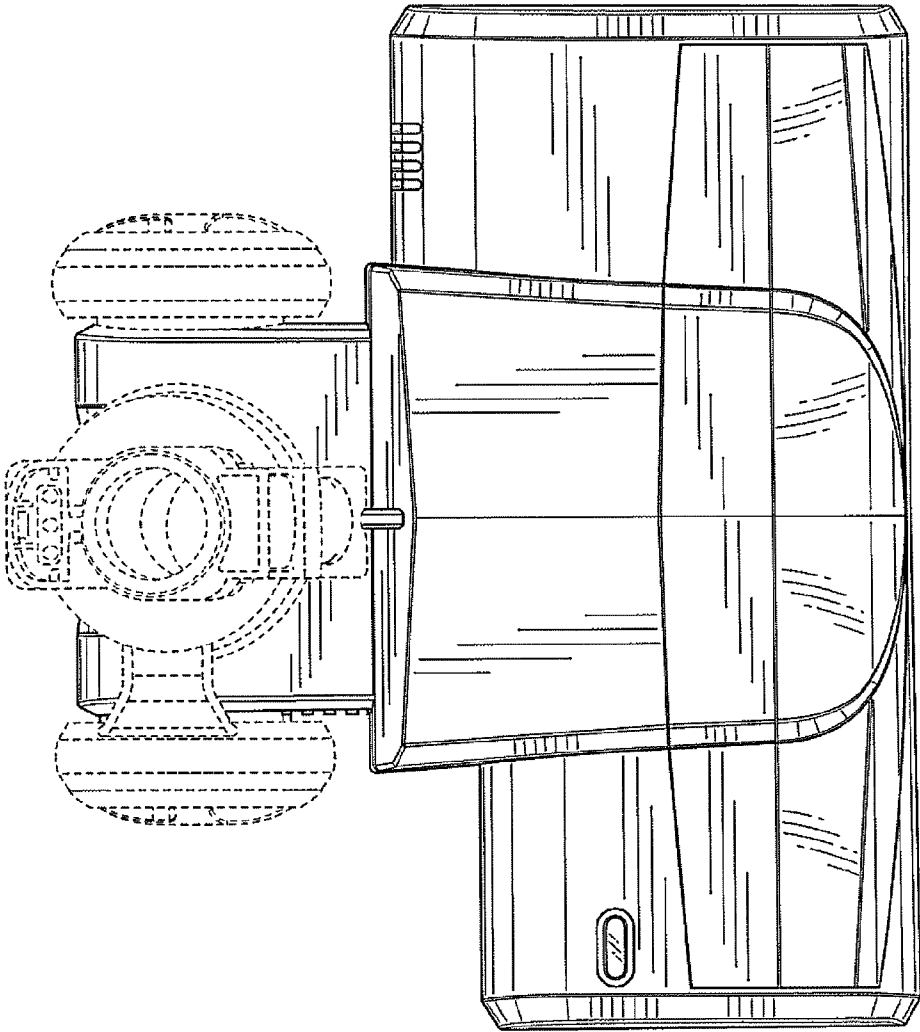
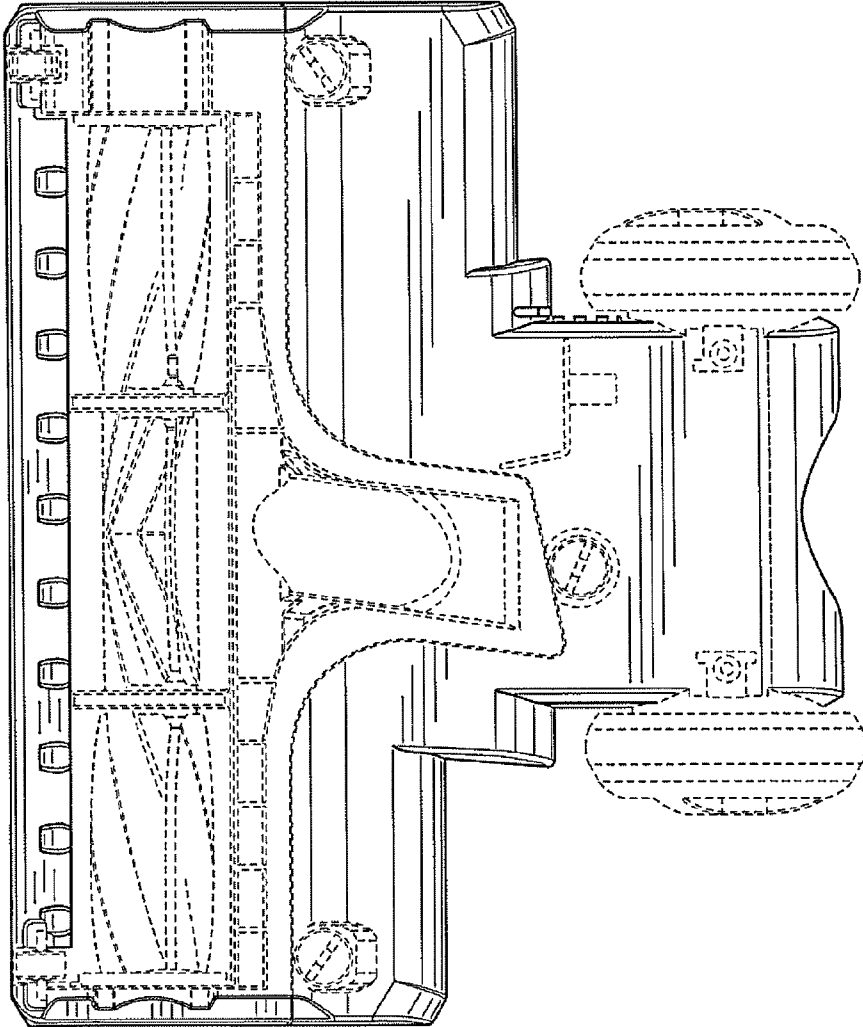


FIG. 7



**FIG. 8**