

(19) World Intellectual Property Organization
International Bureau



(43) International Publication Date
12 September 2008 (12.09.2008)

PCT

(10) International Publication Number
WO 2008/108885 A2

(51) International Patent Classification: Not classified

(21) International Application Number:
PCT/US2007/079567

(22) International Filing Date:
26 September 2007 (26.09.2007)

(25) Filing Language: English

(26) Publication Language: English

(30) Priority Data:
60/827,038 26 September 2006 (26.09.2006) US
60/827,924 3 October 2006 (03.10.2006) US
60/827,927 3 October 2006 (03.10.2006) US
60/827,959 3 October 2006 (03.10.2006) US
60/827,960 3 October 2006 (03.10.2006) US
60/827,964 3 October 2006 (03.10.2006) US

(71) Applicant (for all designated States except US): VIASAT, INC. [US/US]; 6155 El Camino Real, Carlsbad, California 92009 (US).

(72) Inventors; and

(75) Inventors/Applicants (for US only): DANKBERG,

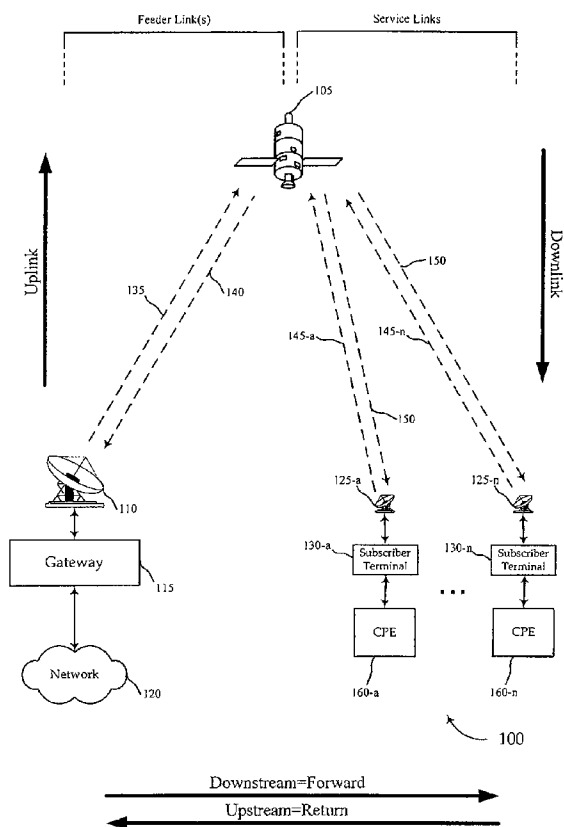
Mark, D. [US/US]; 1239 Crest Drive, Encinitas, California 92024 (US). MILLER, Mark, J. [US/US]; 2930 Ora Avo Terrace, Vista, California 92084 (US). HART, Steven, R. [US/US]; 3340 Camino Coronado, Carlsbad, California 92009 (US). JASKA, Kristi, Ann [US/US]; 372 Dollimore Road, Encinitas, California 92024 (US). WILSON, Robert [US/US]; 1665 West Echo Lake, East Charleston, Vermont 05833 (US).

(74) Agents: CHANG, Ko-Fang et al.; Townsend And Townsend And Crew Llp, Two Embarcadero Center, 8th Floor, San Francisco, California 94111-3834 (US).

(81) Designated States (unless otherwise indicated, for every kind of national protection available): AE, AG, AL, AM, AT, AU, AZ, BA, BB, BG, BH, BR, BW, BY, BZ, CA, CH, CN, CO, CR, CU, CZ, DE, DK, DM, DO, DZ, EC, EE, EG, ES, FI, GB, GD, GE, GH, GM, GT, HN, HR, HU, ID, IL, IN, IS, JP, KE, KG, KM, KN, KP, KR, KZ, LA, LC, LK, LR, LS, LT, LU, LY, MA, MD, ME, MG, MK, MN, MW, MX, MY, MZ, NA, NG, NI, NO, NZ, OM, PG, PH, PL, PT, RO, RS, RU, SC, SD, SE, SG, SK, SL, SM, SV, SY,

[Continued on next page]

(54) Title: IMPROVED SPOT BEAM SATELLITE SYSTEMS



(57) Abstract: A method is presented for transmitting data in a satellite system having multiple spot beams comprising (1) sending a broadband signal in a forward direction from a gateway terminal to a communications satellite for relay to at least one subscriber terminal, (2) receiving the broadband signal at the communications satellite, wherein the communications satellite comprises a bent pipe repeater having a plurality of satellite-based transmission amplifiers, (3) using one of the plurality of satellite-based transmission amplifiers to amplify the broadband signal and no other broadband signal from the gateway terminal, to produce an amplified broadband signal, (4) sending the amplified broadband signal as one of a plurality of service spot beams to the at least one subscriber terminal, and (5) receiving and retrieving data from the amplified broadband signal at the at least one subscriber terminal.

FIG. 1A

WO 2008/10885 A2



TJ, TM, TN, TR, TT, TZ, UA, UG, US, UZ, VC, VN, ZA, ZM, ZW.

FR, GB, GR, HU, IE, IS, IT, LT, LU, LV, MC, MT, NL, PL, PT, RO, SE, SI, SK, TR), OAPI (BF, BJ, CF, CG, CI, CM, GA, GN, GQ, GW, ML, MR, NE, SN, TD, TG).

(84) Designated States (*unless otherwise indicated, for every kind of regional protection available*): ARIPO (BW, GH, GM, KE, LS, MW, MZ, NA, SD, SL, SZ, TZ, UG, ZM, ZW), Eurasian (AM, AZ, BY, KG, KZ, MD, RU, TJ, TM), European (AT, BE, BG, CH, CY, CZ, DE, DK, EE, ES, FI,

Published:

— *without international search report and to be republished upon receipt of that report*

IMPROVED SPOT BEAM SATELLITE SYSTEMS

CROSS-REFERENCE TO RELATED APPLICATIONS

[0001] This application claims the benefit of U.S. Provisional Application No. 60/827,924 (Attorney Docket No. 017018-008000US), filed October 3, 2006, and is herein incorporated by reference.

[0002] This application claims the benefit of U.S. Provisional Application No. 60/827,927 (Attorney Docket No. 017018-008300US), filed October 3, 2006, and is herein incorporated by reference.

[0003] This application claims the benefit of U.S. Provisional Application No. 60/827,959 (Attorney Docket No. 017018-008500US), filed October 3, 2006, and is herein incorporated by reference.

[0004] This application claims the benefit of U.S. Provisional Application No. 60/827,960 (Attorney Docket No. 017018-008600US), filed October 3, 2006, and is herein incorporated by reference.

[0005] This application claims the benefit of U.S. Provisional Application No. 60/827,964 (Attorney Docket No. 017018-008800US), filed October 3, 2006, and is herein incorporated by reference.

[0006] This application claims the benefit of U.S. Provisional Application No. 60/827,038 (Attorney Docket No. 017018-010400US), filed September 26, 2006, and is herein incorporated by reference.

[0007] This application expressly incorporates by reference each of the following patent applications in their entirety for all purposes:

[0008] PCT Application Serial No. _____, filed on the same date as the present PCT application, entitled "Improved Spot Beam Satellite Ground Systems" (temporarily referenced by Attorney Docket No. 017018-009510PC);

[0009] PCT Application Serial No. _____, filed on the same date as the present PCT application, entitled "Multi-Service Provider Subscriber Authentication" (temporarily referenced by Attorney Docket No. 017018-007710PC);

[0010] PCT Application Serial No. _____, filed on the same date as the present PCT application, entitled "Large Packet Concatenation In Satellite Communication System" (temporarily referenced by Attorney Docket No. 017018-008210PC);

[0011] PCT Application Serial No. _____, filed on the same date as the present PCT application, entitled “Upfront Delayed Concatenation In Satellite Communication System” (temporarily referenced by Attorney Docket No. 017018-010510PC);

[0012] PCT Application Serial No. _____, filed on the same date as the present PCT application, entitled “Map-Trigger Dump Of Packets In Satellite Communication System” (temporarily referenced by Attorney Docket No. 017018-010610PC);

[0013] PCT Application Serial No. _____, filed on the same date as the present PCT application, entitled “Web/Bulk Transfer Preallocation Of Upstream Resources In A Satellite Communication System” (temporarily referenced by Attorney Docket No. 017018-010710PC);

[0014] PCT Application Serial No. _____, filed on the same date as the present PCT application, entitled “Improved Spot Beam Satellite Systems” (temporarily referenced by Attorney Docket No. 017018-008010PC);

[0015] PCT Application Serial No. _____, filed on the same date as the present PCT application, entitled “Downstream Waveform Sub-Channelization For Satellite Communications” (temporarily referenced by Attorney Docket No. 026258-002400PC);

[0016] PCT Application Serial No. _____, filed on the same date as the present PCT application, entitled “Packet Reformatting For Downstream Links” (temporarily referenced by Attorney Docket No. 026258-002700PC); and

[0017] PCT Application Serial No. _____, filed on the same date as the present PCT application, entitled “Upstream Resource Allocation For Satellite Communications” (temporarily referenced by Attorney Docket No. No. 026258-002800PC).

FIELD OF THE INVENTION

[0018] The present invention relates to wireless communications in general and, in particular, to a satellite communications network.

BACKGROUND OF THE INVENTION

[0019] Consumer broadband satellite services are gaining traction in North America with the start up of star network services using Ka band satellites. While such first generation satellite systems may provide multi-gigabit per second (Gbps) per satellite overall capacity, the design of such systems inherently limits the number of customers that may be adequately

served. Moreover, the fact that the capacity is split across numerous coverage areas further limits the bandwidth to each subscriber.

[0020] While existing designs have a number of capacity limitations, the demand for such broadband services continues to grow. The past few years have seen strong advances in communications and processing technology. This technology, in conjunction with selected innovative system and component design, may be harnessed to produce a novel satellite communications system to address this demand.

SUMMARY OF THE INVENTION

[0021] The present invention relates to a method for allocating transmission bandwidth. The method comprises, at a subscriber terminal assigned by a central unit to transmit satellite uplink signals in a first assigned transmit frequency channel, transmitting satellite uplink signals intermittently by transmitting during time-separated periods of transmission in the first assigned transmit frequency channel. The method further comprises, at the subscriber terminal, monitoring the first assigned transmit frequency channel between the time-separated periods of transmission of satellite uplink signals from the subscriber terminal, to generate at least one observation result relating to possible presence of another signal in the first assigned transmit frequency channel, and reporting the at least one observation result to the central unit. The method further comprises, at the central unit, receiving the at least one observation result and determining a re-assignment of the subscriber terminal to a second assigned transmit frequency channel based on the at least one observation result reported by the subscriber terminal, and causing a message to be sent conveying the re-assignment to the subscriber terminal, in order to direct the subscriber terminal to transmit satellite uplink signals in the second assigned transmit frequency channel.

[0022] According to one embodiment, the method further comprises monitoring at least one out-of-band frequency channel different from the first assigned transmit frequency channel to generate the at least one observation result, wherein the at least one observation result further relates to possible presence of a signal in the at least one out-of-band frequency channel. The at least one out-of-band frequency channel may comprise neighboring frequency channels adjacent to the first assigned transmit frequency channel.

[0023] According to one embodiment, the at least one observation result indicates presence of an outside source that is a primary spectrum license holder, and the subscriber terminal is a

secondary spectrum license holder. Just as an example, the at least one observation result may indicate the presence of a Land Mobile Data Services (LMDS) user.

[0024] According to one embodiment, the subscriber terminal is further capable of receiving satellite downlink signals in a first assigned receive frequency channel using a first antenna and monitoring the first assigned transmit frequency channel using a second antenna. For example, the first antenna may be configured for receiving satellite signals, and the second antenna may be configured for receiving terrestrial signals.

[0025] According to one embodiment, the central unit takes into account observation results reported by other subscriber terminals, in addition to the at least one observation result reported by the subscriber terminal, in determining the re-assignment of the subscriber terminal to the second assigned transmit frequency channel.

[0026] The present invention also relates to a method for communicating data in a multibeam satellite system utilizing frequency re-use.

[0027] The method comprises establishing service beams including uplink service beams and downlink service beams between a satellite and a plurality of subscriber terminals, each downlink service beam being associated with a different service beam coverage area, to form a plurality of service beam coverage areas. A plurality of the uplink service beams are transmitted to the satellite by re-using at least one common uplink frequency channel, and a plurality of the downlink service beams are transmitted from the satellite by re-using at least one common downlink frequency channel.

[0028] The method further comprises establishing at least one uplink feeder beam and at least one downlink feeder beam between the satellite and a gateway terminal, the at least one downlink feeder beam being associated with a feeder beam coverage area separated from the plurality of service beam coverage areas, the at least one uplink feeder beam being received at the satellite to form a plurality of the downlink service beams, a plurality of the uplink service beams being received at the satellite to form the at least one downlink feeder beam. The at least one uplink feeder beam is transmitted to the satellite by further re-using the at least one common uplink frequency channel, and the at least one downlink feeder beam is transmitted from the satellite by further re-using the at least one common downlink frequency channel.

[0029] According to an embodiment of the invention, the at least one uplink feeder beam comprises multiple uplink feeder beams, and the at least one downlink feeder beam comprises multiple downlink feeder beams. A plurality of the uplink feeder beams are transmitted to the satellite by yet further re-using the at least one common uplink frequency channel. Also, a plurality of the downlink feeder beams are transmitted from the satellite by yet further re-using the at least one common downlink frequency channel.

[0030] According to one embodiment, the at least one uplink feeder beam comprises 4 carriers, wherein the at least one common uplink frequency channel comprises two frequency channels, each of the two frequency channels capable of being separated by right hand circular polarization (RHCP) and left hand circular polarization (LHCP), to form 4 unique combinations of frequency and polarization, and wherein each of the 4 carriers is transmitted using one of the 4 unique combinations of frequency and polarization.

[0031] According to one embodiment, the at least one downlink feeder beam comprises 4 carriers, wherein the at least one common downlink frequency channel comprises two frequency channels, each of the two frequency channels capable of being separated by right hand circular polarization (RHCP) and left hand circular polarization (LHCP), to form 4 unique combinations of frequency and polarization, and wherein each of the 4 carriers is transmitted using one of the 4 unique combinations of frequency and polarization.

[0032] According to one embodiment, each uplink service beam comprises 1 carrier, wherein the at least one common uplink frequency channel comprises two frequency channels, each of the two frequency channels capable of being separated by right hand circular polarization (RHCP) and left hand circular polarization (LHCP), to form 4 unique combinations of frequency and polarization, and wherein each carrier of an uplink service beam is transmitted using one of the 4 unique combinations of frequency and polarization.

[0033] According to one embodiment, each downlink service beam comprises 1 carrier, wherein the at least one common downlink frequency channel comprises two frequency channels, each of the two frequency channels capable of being separated by right hand circular polarization (RHCP) and left hand circular polarization (LHCP), to form 4 unique combinations of frequency and polarization, and wherein each carrier of a downlink service beam is transmitted using one of the 4 unique combinations of frequency and polarization. The at least one common uplink frequency channel may include a 500 MHz frequency

channel. The at least one common downlink frequency channel may include a 500 MHz frequency channel.

[0034] The present invention also relates to a method for transmitting data in a satellite system having multiple spot beams. The method comprises sending a broadband signal in a forward direction from a gateway terminal to a communications satellite for relay to at least one subscriber terminal. The method further comprises receiving the broadband signal at the communications satellite, wherein the communications satellite comprises a bent pipe repeater having a plurality of satellite-based transmission amplifiers, each satellite-based transmission amplifier capable of performing amplification to generate a service spot beam. The method further comprises amplifying the broadband signal using one of the plurality of satellite-based transmission amplifiers to produce an amplified broadband signal, wherein the one of the plurality of satellite-based transmission amplifiers is employed to amplify only the broadband signal and no other broadband signal from the gateway terminal. The method further comprises sending the amplified broadband signal to the at least one subscriber terminal, the amplified broadband signal being sent as one of a plurality of service spot beams, the one of the plurality of service spot beams having an earth surface coverage area including the at least one subscriber terminal, wherein the amplified broadband signal alone occupies the one of the plurality of service spot beams. The method further comprises receiving and retrieving data from the amplified broadband signal at the at least one subscriber terminal.

[0035] In one embodiment, the amplified broadband signal is a single-carrier signal. The amplified broadband signal may support a data rate of at least 1 Gigabits per second (Gbps). The amplified broadband signal may have a bandwidth of at least 500 MHz.

[0036] Each of the plurality of satellite-based transmission amplifiers may comprise a traveling wave tube amplifier (TWTA). In one embodiment, the plurality of service spot beams comprises 60 service spot beams. The broadband signal sent from the gateway terminal to the communications satellite may be contained in one of a plurality of feeder beams sent from gateway terminals to the communications satellite. In one embodiment, the plurality of feeder beams comprises 15 feeder beams. Each of the plurality of feeder beams may contain 4 carriers each representing a separate signal sent in the forward direction from a gateway terminal to the communications satellite.

[0037] The present invention also relates to a method for utilizing excess satellite bus power. The method comprises sending a broadband signal contained in at least one feeder beam in a forward direction from a gateway terminal to a bent pipe repeater communications satellite for relay to at least one subscriber terminal. The communications satellite is operable to provide a total amount of bus power, wherein an existing payload of the communication satellite consumes an occupied portion of the total amount of bus power, wherein an additional payload of the communications satellite consumes a remaining portion of the total amount of bus power and comprises a plurality of satellite-based transmission amplifiers each capable of performing amplification to generate a service spot beam. The method further comprises receiving the broadband signal at the communications satellite and amplifying the broadband signal using one of the plurality of satellite-based transmission amplifiers to produce an amplified broadband signal. The method further comprises sending the amplified broadband signal to the at least one subscriber terminal, the amplified broadband signal being sent as one of a plurality of service spot beams. The method further comprises receiving and retrieving data from the amplified broadband signal at the at least one subscriber terminal.

[0038] According to one embodiment, the additional payload supports a full satellite system, the full satellite system comprising the M feeder beams and N service beams.

[0039] According to an alternative embodiment, the additional payload support a fraction of a full satellite system, the full satellite system comprising the M feeder beams and N service beams. Just as an example, the full satellite system may comprise 15 feeder beams ($M = 15$) and 60 service beams ($N = 60$), and the additional payload may support 2 feeder beams and 8 service beams.

[0040] In one embodiment, each of the at least one feeder beam comprises 4 signals, each signal transmitted using one of four different combinations of frequency and polarization. The plurality of service beams may be associated with different earth surface coverage areas and employ frequency re-use to utilize at least one common frequency channel. Neighboring earth surface coverage areas associated with the plurality of service beams may use alternating left and right hand circular polarization.

[0041] Different portions of the frequency spectrum may be used. For example, the at least one feeder beam and the plurality of service beams utilize at least one frequency channel in a Ka band.

[0042] The present invention also relates to a method for operating a multibeam satellite system utilizing subscriber terminal and gateway terminal positioning.

[0043] The method comprises positioning a plurality of subscriber terminals within a plurality of service beam coverage areas, the subscriber terminals capable of establishing uplink service beams and downlink service beams between the subscriber terminals and a satellite, the downlink service beams being associated with a plurality of different service beam coverage areas. A plurality of the uplink service beams are to be transmitted to the satellite by re-using at least one common uplink frequency channel, and a plurality of the downlink service beams are to be transmitted from the satellite by re-using at least one common downlink frequency channel.

[0044] The method further comprises positioning a gateway terminal within a feeder beam coverage area, the gateway terminal capable of establishing an uplink feeder beam and a downlink feeder beam between the gateway terminal and the satellite, the downlink feeder beam being associated with the feeder beam coverage area, the feeder beam coverage area being located apart from the plurality of service beam coverage areas, the uplink feeder beam to be received at the satellite to form a plurality of the downlink service beams, a plurality of the uplink service beams to be received at the satellite to form the downlink feeder beam. The uplink feeder beam is to be transmitted to the satellite by further re-using the at least one common uplink frequency channel, and the downlink feeder beam is to be transmitted from the satellite by further re-using the at least one common downlink frequency channel.

[0045] The gateway terminal may be one of a plurality of gateway terminals, each gateway terminal being positioned within a different one of a plurality of feeder link coverage areas. According to one embodiment, each of the plurality of gateway terminals is separated from every other one of the plurality of gateway terminals by a minimum distance of 400 kilometers. According to one embodiment, each of the plurality of gateway terminals is placed within a distance of 50 kilometers from an optical fiber network connection. According to one embodiment, each of the plurality of gateway terminals is placed at a location where overall rain fade at the at least one common uplink frequency channel is less than a particular amount of fading (e.g., 10 dB of fading) for a specified percentage of the time (e.g., 99.99 % of the time).

BRIEF DESCRIPTION OF THE DRAWINGS

- [0046] FIG. 1A is a block diagram of an exemplary satellite communications system configured according to various embodiments of the invention.
- [0047] FIG. 1B is a block diagram illustrating an alternative embodiment of a satellite communication system.
- [0048] FIG. 2A is an example of a multi-beam system configured according to various embodiments of the invention are shown.
- [0049] FIG. 2B is another example of a multi-beam system configured according to various embodiments of the invention are shown.
- [0050] FIG. 3 presents an embodiment of a ground system of gateways shown in block diagram form.
- [0051] FIG. 4 presents an embodiment of a SMTS shown in block diagram form.
- [0052] FIG. 5 presents an embodiment of a satellite shown in block diagram form.
- [0053] FIG. 6A presents an embodiment of an upstream translator shown in block diagram form.
- [0054] FIG. 6B presents an embodiment of a downstream translator shown as a block diagram.
- [0055] FIG. 7 is a block diagram illustrating a set of subscriber equipment which may be located at a subscriber location for the reception and transmission of communication signals.
- [0056] FIG. 8 shows an embodiment of a downstream channel.
- [0057] FIG. 9 shows an embodiment of an upstream channel.
- [0058] FIG. 10 shows an embodiment of a gateway transmitter.
- [0059] FIG. 11 shows an embodiment of gateway receiver.
- [0060] FIG. 12A illustrates an embodiment of a forward link distribution system.
- [0061] FIG. 12B illustrate an embodiment of a return link distribution system.
- [0062] FIG. 13 shows an embodiment of a channel diagram.

[0063] FIG. 14 presents an illustrative frequency re-use plan that may be adopted in accordance with one embodiment of the invention.

[0064] FIG. 15 presents an illustrative system employing adaptive use of satellite uplink bands in accordance with one embodiment of the invention.

DETAILED DESCRIPTION OF THE INVENTION

[0065] Various embodiments of the present invention comprise systems, methods, devices, and software for a novel broadband satellite network. This description provides exemplary embodiments only, and is not intended to limit the scope, applicability or configuration of the invention. Rather, the ensuing description of the embodiments will provide those skilled in the art with an enabling description for implementing embodiments of the invention. Various changes may be made in the function and arrangement of elements without departing from the spirit and scope of the invention.

[0066] Thus, various embodiments may omit, substitute, or add various procedures or components as appropriate. For instance, it should be appreciated that in alternative embodiments, the methods may be performed in an order different than that described, and that various steps may be added, omitted or combined. Also, features described with respect to certain embodiments may be combined in various other embodiments. Different aspects and elements of the embodiments may be combined in a similar manner. Also, a number of steps may be required before, after, or concurrently with the following embodiments.

[0067] It should also be appreciated that the following systems, methods, devices, and software may be a component of a larger system, wherein other procedures may take precedence over or otherwise modify their application.

[0068] **FIG. 1A** is a block diagram of an exemplary satellite communications system 100 configured according to various embodiments of the invention. The satellite communications system 100 includes a network 120, such as the Internet, interfaced with a gateway 115 that is configured to communicate with one or more subscriber terminals 130, via a satellite 105. A gateway 115 is sometimes referred to as a hub or ground station. Subscriber terminals 130 are sometimes called modems, satellite modems or user terminals. As noted above, although the communications system 100 is illustrated as a geostationary satellite 105 based communication system, it should be noted that various embodiments described herein are not limited to use in geostationary satellite based systems, for example some embodiments could be low earth orbit (LEO) satellite based systems.

[0069] The network 120 may be any type of network and can include, for example, the Internet, an IP network, an intranet, a wide-area network ("WAN"), a local-area network ("LAN"), a virtual private network, the Public Switched Telephone Network ("PSTN"), and/or any other type of network supporting data communication between devices described herein, in different embodiments. A network 120 may include both wired and wireless connections, including optical links. Many other examples are possible and apparent to those skilled in the art in light of this disclosure. As illustrated in a number of embodiments, the network may connect the gateway 115 with other gateways (not pictured), which are also in communication with the satellite 105.

[0070] The gateway 115 provides an interface between the network 120 and the satellite 105. The gateway 115 may be configured to receive data and information directed to one or more subscriber terminals 130, and can format the data and information for delivery to the respective destination device via the satellite 105. Similarly, the gateway 115 may be configured to receive signals from the satellite 105 (e.g., from one or more subscriber terminals) directed to a destination in the network 120, and can format the received signals for transmission along the network 120.

[0071] A device (not shown) connected to the network 120 may communicate with one or more subscriber terminals, and through the gateway 115. Data and information, for example IP datagrams, may be sent from a device in the network 120 to the gateway 115. The gateway 115 may format a Medium Access Control (MAC) frame in accordance with a physical layer definition for transmission to the satellite 130. A variety of physical layer transmission modulation and coding techniques may be used with certain embodiments of the invention, including those defined with the DVB-S2 and WiMAX standards. The link 135 from the gateway 115 to the satellite 105 may be referred to hereinafter as the downstream uplink 135.

[0072] The gateway 115 may use an antenna 110 to transmit the signal to the satellite 105. In one embodiment, the antenna 110 comprises a parabolic reflector with high directivity in the direction of the satellite and low directivity in other directions. The antenna 110 may comprise a variety of alternative configurations and elements, including operating features such as high isolation between orthogonal polarizations, high efficiency in the operational frequency bands, and low noise. For example, the antenna 110 could include an array of elements in one embodiment.

[0073] In one embodiment, a geostationary satellite 105 is configured to receive the signals from the location of antenna 110 and within the frequency band and specific polarization

transmitted. The satellite 105 may, for example, use a reflector antenna, lens antenna, array antenna, active antenna, or other mechanism known in the art for reception of such signals. The satellite 105 may process the signals received from the gateway 115 and forward the signal from the gateway 115 containing the MAC frame to one or more subscriber terminals 130. In one embodiment, the satellite 105 operates in a multi-beam mode, transmitting a number of narrow beams each directed at a different region of the earth, allowing for frequency re-use. With such a multibeam satellite 105, there may be any number of different signal switching configurations on the satellite, allowing signals from a single gateway 115 to be switched between different spot beams. In one embodiment, the satellite 105 may be configured as a "bent pipe" satellite, wherein the satellite may frequency convert the received carrier signals before retransmitting these signals to their destination, but otherwise perform little or no other processing on the contents of the signals. A variety of physical layer transmission modulation and coding techniques may be used by the satellite 105 in accordance with certain embodiments of the invention, including those defined with the DVB-S2 and WiMAX standards. For other embodiments a number of configurations are possible (e.g., using LEO satellites, or using a mesh network instead of a star network), as evident to those skilled in the art.

[0074] The service signals transmitted from the satellite 105 may be received by one or more subscriber terminals 130, via the respective subscriber antenna 125. In one embodiment, the antenna 125 and terminal 130 together comprise a very small aperture terminal (VSAT), with the antenna 125 measuring approximately 0.6 meters in diameter and having approximately 2 watts of power. In other embodiments, a variety of other types of antennas 125 may be used at the subscriber terminal 130 to receive the signal from the satellite 105. The link 150 from the satellite 105 to the subscriber terminals 130 may be referred to hereinafter as the downstream downlink 150. Each of the subscriber terminals 130 may comprise a single user terminal or, alternatively, comprise a hub or router (not pictured) that is coupled to multiple user terminals. Each subscriber terminal 130 may be connected to consumer premises equipment (CPE) 160 comprising, for example computers, local area networks, Internet appliances, wireless networks, etc.

[0075] In one embodiment, a Multi-Frequency Time-Division Multiple Access (MF-TDMA) scheme is used for upstream links 140, 145, allowing efficient streaming of traffic while maintaining flexibility in allocating capacity among each of the subscriber terminals 130. In this embodiment, a number of frequency channels are allocated which may be fixed, or which may be allocated in a more dynamic fashion. A Time Division Multiple Access

(TDMA) scheme is also employed in each frequency channel. In this scheme, each frequency channel may be divided into several timeslots that can be assigned to a connection (i.e., a subscriber terminal 130). In other embodiments, one or more of the upstream links 140, 145 may be configured with other schemes, such as Frequency Division Multiple Access (FDMA), Orthogonal Frequency Division Multiple Access (OFDMA), Code Division Multiple Access (CDMA), or any number of hybrid or other schemes known in the art.

[0076] A subscriber terminal, for example 130-a, may transmit data and information to a network 120 destination via the satellite 105. The subscriber terminal 130 transmits the signals via the upstream uplink 145-a to the satellite 105 using the antenna 125-a. A subscriber terminal 130 may transmit the signals according to a variety of physical layer transmission modulation and coding techniques, including those defined with the DVB-S2 and WiMAX standards. In various embodiments, the physical layer techniques may be the same for each of the links 135, 140, 145, 150, or may be different. The link from the satellite 105 to the gateway 115 may be referred to hereinafter as the upstream downlink 140.

[0077] Turning to **FIG. 1B**, a block diagram is shown illustrating an alternative embodiment of a satellite communication system 100. This communication system 100 may, for example, comprise the system 100 of FIG. 1A, but is in this instance described with greater particularity. In this embodiment, the gateway 115 includes a Satellite Modem Termination System (SMTS), which is based at least in part on the Data-Over-Cable Service Interface Standard (DOCSIS). The SMTS in this embodiment includes a bank of modulators and demodulators for transmitting signals to and receiving signals from subscriber terminals 130. The SMTS in the gateway 115 performs the real-time scheduling of the signal traffic through the satellite 105, and provides the interfaces for the connection to the network 120.

[0078] In this embodiment, the subscriber terminals 135 use portions of DOCSIS-based modem circuitry, as well. Therefore, DOCSIS-based resource management, protocols, and schedulers may be used by the SMTS for efficient provisioning of messages. DOCSIS-based components may be modified, in various embodiments, to be adapted for use therein. Thus, certain embodiments may utilize certain parts of the DOCSIS specifications, while customizing others.

[0079] While a satellite communications system 100 applicable to various embodiments of the invention is broadly set forth above, a particular embodiment of such a system 100 will now be described. In this particular example, approximately 2 gigahertz (GHz) of bandwidth is to be used, comprising four 500 megahertz (MHz) bands of contiguous spectrum.

Employment of dual-circular polarization results in usable frequency comprising eight 500 MHz non-overlapping bands with 4 GHz of total usable bandwidth. This particular embodiment employs a multi-beam satellite 105 with physical separation between the gateways 115 and subscriber spot beams, and configured to permit reuse of the frequency on the various links 135, 140, 145, 150. A single Traveling Wave Tube Amplifier (TWTA) is used for each service link spot beam on the downstream downlink, and each TWTA is operated at full saturation for maximum efficiency. A single wideband carrier signal, for example using one of the 500 MHz bands of frequency in its entirety, fills the entire bandwidth of the TWTA, thus allowing a minimum number of space hardware elements. Spotbeam size and TWTA power may be optimized to achieve maximum flux density on the earth's surface of -118 decibel-watts per meter squared per megahertz (dbW/m²/MHz). Thus, using approximately 2 bits per second per hertz (bits/s/Hz), there is approximately 1 Gbps of available bandwidth per spot beam.

[0080] With reference to **FIG. 12A**, an embodiment of a forward link distribution system 1200 is shown. The gateway 115 is shown coupled to an antenna 110, which generates four downstream signals. A single carrier with 500 MHz of spectrum is used for each of the four downstream uplinks 135. In this embodiment, a total of two-frequencies and two polarizations allow four separate downstream uplinks 135 while using only 1 GHz of the spectrum. For example, link A 135-A could be Freq 1U (27.5-28.0 GHz) with left-hand polarization, link B 135-B could be Freq 1U (27.5-28.0) GHz with right-hand polarization, link C could be Freq 2U (29.5-30 GHz) with left-hand polarization, and link D could be Freq 2U (29.5-30 GHz) with right-hand polarization.

[0081] The satellite 105 is functionally depicted as four "bent pipe" connections between a feeder and service link. Carrier signals can be changed through the satellite 105 "bent pipe" connections along with the orientation of polarization. The satellite 105 converts each downstream uplink 135 signal into a downstream downlink signal 150.

[0082] In this embodiment, there are four downstream downlinks 150 that each provides a service link for four spot beams 205. The downstream downlink 150 may change frequency in the bent pipe as is the case in this embodiment. For example, downstream uplink A 135-A changes from a first frequency (i.e., Freq 1U) to a second frequency (i.e., Freq 1D) through the satellite 105. Other embodiments may also change polarization between the uplink and downlink for a given downstream channel. Some embodiments may use the same

polarization and/or frequency for both the uplink and downlink for a given downstream channel.

[0083] Referring next to **FIG. 12B**, an embodiment of a return link distribution system is shown. This embodiment shows four upstream uplinks 145 from four sets of subscriber terminals 125. A “bent pipe” satellite 105 takes the upstream uplinks 145, optionally changes carrier frequency and/or polarization (not shown), and then redirects them as upstream downlinks 140 to a spot beam for a gateway 115. In this embodiment, the carrier frequency changes between the uplink 145 and the downlink 140, but the polarization remains the same. Because the feeder spot beams to the gateway 115 is not in the coverage area of the service beams, the same frequency pairs may be reused for both service links and feeder links.

[0084] Turning to **FIGs. 2A** and **2B**, examples of a multi-beam system 200 configured according to various embodiments of the invention are shown. The multi-beam system 200 may, for example, be implemented in the network 100 described in **FIGs. 1A** and **1B**. Shown are the coverage of a number of feeder and service spot beam regions 225, 205. In this embodiment, a satellite 215 reuses frequency bands by isolating antenna directivity to certain regions of a country (e.g., United States, Canada or Brazil). As shown in **FIG. 2A**, there is complete geographic exclusivity between the feeder and service spot beams 205, 225. But that is not the case for **FIG. 2B** where there may in some instances be service spot beam overlap (e.g., 205-c, 205-d, 205-e), while there is no overlap in other areas. However, with overlap, there are certain interference issues that may inhibit frequency band re-use in the overlapping regions. A four color pattern allows avoiding interference even where there is some overlap between neighboring service beams 205.

[0085] In this embodiment, the gateway terminals 210 are also shown along with their feeder beams 225. As shown in **FIG. 2B**, the gateway terminals 210 may be located in a region covered by a service spotbeam (e.g., the first, second and fourth gateways 210-1, 210-2, 210-4). However, a gateway may also be located outside of a region covered by a service spotbeam (e.g., the third gateway 210-3). By locating gateway terminals 210 outside of the service spotbeam regions (e.g., the third gateway 210-3), geographic separation is achieved to allow for re-use of the allocated frequencies.

[0086] There are often spare gateway terminals 210 in a given feeder spot beam 225. The spare gateway terminal 210-5 can substitute for the primary gateway terminal 210-4 should

the primary gateway terminal 210-4 fail to function properly. Additionally, the spare can be used when the primary is impaired by weather.

[0087] Referring next to **FIG. 8**, an embodiment of a downstream channel 800 is shown. The downstream channel 800 includes a series of superframes 804 in succession, where each superframe 804 may have the same size or may vary in size. This embodiment divides a superframe 804 into a number of sub-channels 808(1-n). The sub-channels 808(1-n) in each superframe 804 can be the same size or different sizes. The size of the sub-channels 808(1-n) can change between different superframes 804. Different coding can be optionally used for the various sub-channels 808 (1-n). In some embodiments, the sub-channels are as short as one symbol in duration.

[0088] With reference to **FIG. 9**, an embodiment of an upstream channel 900 is shown. This embodiment uses MF-TDMA, but other embodiments can use CDMA, OFDM, FDMA, TDMA or other access schemes. The upstream channel 900 has 500 MHz of total bandwidth in one embodiment. The total bandwidth is divided into m frequency sub-channels, which may differ in bandwidth, modulation, coding, etc. and may also vary in time based on system needs.

[0089] In this embodiment, each subscriber terminal 130 is given a two-dimensional (2D) map to use for its upstream traffic. The 2D map has a number of entries where each indicates a frequency sub-channel 912 and time segment 908(1-5). For example, one subscriber terminal 130 is allocated sub-channel m 912- m , time segment one 908-1; sub-channel two 912-2, time segment two 908-2; sub-channel two 912-2, time segment three 908-3; etc. The 2D map is dynamically adjusted for each subscriber terminal 130 according to anticipated need by a scheduler in the SMTS.

[0090] Referring to **FIG. 13**, an embodiment of a channel diagram is shown. Only the channels for a single feeder spot beam 225 and a single service spot beam 205 are shown, but embodiments include many of each spot beam 225, 205 (e.g., various embodiments could have 60, 80, 100, 120, etc. of each type of spot beam 225, 205). The forward channel 800 includes n sub-channels 808 traveling from the gateway antenna 110 to the service spot beam 205. Each subscriber terminal 130 may be allocated one or more of the sub-channels 808. m MF-TDMA channels 912 make up the return channel 900 between the subscriber terminal (ST) antennas 125 and the feeder spot beam 225.

[0091] Referring next to **FIG. 3**, an embodiment of a ground system 300 including a number of gateways 115 is shown in block diagram form. One embodiment could have fifteen active gateways 115 (and possibly spares) to generate sixty service spot beams, for example. The ground system 300 includes a number of gateways 115 respectively coupled to antennas 110. All the gateways 115 are coupled to a network 120 such as the Internet. The network is used to gather information for the subscriber terminals. Additionally, each SMTS communicates with other SMTS and the Internet using the network 120 or other means not shown.

[0092] Each gateway 115 includes a transceiver 305, a SMTS 310 and a router 325. The transceiver 305 includes both a transmitter and a receiver. In this embodiment, the transmitter takes a baseband signal and upconverts and amplifies the baseband signal for transmission of the downstream uplinks 135 with the antenna 110. The receiver downconverts and tunes the upstream downlinks 140 along with other processing as explained below. The SMTS 310 processes signals to allow the subscriber terminals to request and receive information and schedules bandwidth for the forward and return channels 800, 900. Additionally, the SMTS 310 provides configuration information and receives status from the subscriber terminals 130. Any requested or returned information is forwarded via the router 325.

[0093] With reference to **FIG. 11**, an embodiment of gateway receiver 1100 is shown. This embodiment of the receiver 1100 processes four return channels 900 from four different service spot beams 205. The return channels 900 may be divided among four pathways using antenna polarization and/or filtering 1104. Each return channel is coupled to a low-noise amplifier (LNA) 1108. Down conversion 1112 mixes down the signal into its intermediate frequency. Each of the upstream sub-channels 912 is separated from the signal by a number of tuners 1116. Further processing is performed in the SMTS 310.

[0094] Referring next to **FIG. 10**, an embodiment of a gateway transmitter 1000 is shown. The downstream channels 800 are received at their intermediate frequencies from the SMTS 310. With separate pathways, each downstream channel 800 is up-converted 1004 using two different carrier frequencies. A power amplifier 1008 increases the amplitude of the forward channel 900 before coupling to the antenna 110. The antenna 110 polarizes the separate signals to keep the four forward channels 800 distinct as they are passed to the satellite 105.

[0095] With reference to **FIG. 4**, an embodiment of a SMTS 310 is shown in block diagram form. Baseband processing is done for the inbound and outbound links 135, 140 by a number of geographically separated gateways 115. Each SMTS 310 is generally divided into two sections, specifically, the downstream portion 305 to send information to the satellite 105 and the upstream portion 315 to receive information from the satellite 105.

[0096] The downstream portion 305 takes information from the switching fabric 416 through a number of downstream (DS) blades 412. The DS blades 412 are divided among a number of downstream generators 408. This embodiment includes four downstream generators 408, with one for each of the downstream channels 800. For example, this embodiment uses four separate 500 MHz spectrum ranges having different frequencies and/or polarizations. A four-color modulator 436 has a modulator for each respective DS generator 408. The modulated signals are coupled to the transmitter portion 1000 of the transceiver 305 at an intermediate frequency. Each of the four downstream generators 408 in this embodiment has J virtual DS blades 412.

[0097] The upstream portion 315 of the SMTS 310 receives and processes information from the satellite 105 in the baseband intermediate frequency. After the receiver portion 1100 of the transceiver 305 produces all the sub-channels 912 for the four separate baseband upstream signals, each sub-channel 912 is coupled to a different demodulator 428. Some embodiments could include a switch before the demodulators 428 to allow any return link sub-channel 912 to go to any demodulator 428 to allow dynamic reassignment between the four return channels 908. A number of demodulators are dedicated to an upstream (US) blade 424.

[0098] The US blades 424 serve to recover the information received from the satellite 105 before providing it to the switching fabric 416. The US scheduler 430 on each US blade 424 serves to schedule use of the return channel 900 for each subscriber terminal 130. Future needs for the subscriber terminals 130 of a particular return channel 900 can be assessed and bandwidth/latency adjusted accordingly in cooperation with the Resource Manager and Load Balancer (RM/LB) block 420.

[0099] The RM/LB block 420 assigns traffic among the US and DS blades. By communication with other RM/LB blocks 420 in other SMTSes 310, each RM/LB block 420 can reassign subscriber terminals 130 and channels 800, 900 to other gateways 115. This

reassignment can take place for any number of reasons, for example, lack of resources and/or loading concerns. In this embodiment, the decisions are done in a distributed fashion among the RM/LB blocks 420, but other embodiments could have decisions made by one master MR/LB block or at some other central decision-making authority. Reassignment of subscriber terminals 130 could use overlapping service spot beams 205, for example.

[0100] Referring next to **FIG. 5**, an embodiment of a satellite 105 is shown in block diagram form. The satellite 105 in this embodiment communicates with fifteen gateways 115 and all STs 130 using sixty feeder and service spot beams 225, 205. Other embodiments could use more or less gateways/spot beams. Buss power 512 is supplied using a power source such as chemical fuel, nuclear fuel and/or solar energy. A satellite controller 516 is used to maintain attitude and otherwise control the satellite 105. Software updates to the satellite 105 can be uploaded from the gateway 115 and performed by the satellite controller 516, .

[0101] Information passes in two directions through the satellite 105. A downstream translator 508 receives information from the fifteen gateways 115 for relay to subscriber terminals 130 using sixty service spot beams 205. An upstream translator 504 receives information from the subscriber terminals 130 occupying the sixty spot beam areas and relays that information to the fifteen gateways 115. This embodiment of the satellite can switch carrier frequencies in the downstream or upstream processors 508, 504 in a "bent-pipe" configuration, but other embodiments could do baseband switching between the various forward and return channels 800, 900. The frequencies and polarization for each spot beam 225, 205 could be programmable or preconfigured.

[0102] With reference to **FIG. 6A**, an embodiment of an upstream translator 504 of the satellite 105 is shown in block diagram form. A Receiver and Downconverter (Rx/DC) block 616 receives all the return link information for the area defined by a spot beam 205 as an analog signal before conversion to an intermediate frequency (IF). There is a Rx/DC block 616 for each service spot beam area 205. An IF switch 612 routes a particular baseband signal from a Rx/DC block 616 to a particular upstream downlink channel. The upstream downlink channel is filled using an Upconverter and Traveling Wave Tube Amplifier (UC/TWTA) block 620. The frequency and/or polarization can be changed through this process such that each upstream channel passes through the satellite 105 in a bent pipe fashion.

[0103] Each gateway 115 is assigned four dedicated UC/TWTA blocks 620 in the upstream translator 504. Two of the four dedicated UC/TWTA blocks 620 operate at a first frequency range and two operate at a second frequency range in this embodiment. Additionally, two use right-hand polarization and two use left-hand polarization. Between the two polarizations and two frequencies, the satellite 105 can communicate with each gateway 115 with four separate upstream downlink channels.

[0104] Referring next to **FIG. 6B**, an embodiment of a downstream translator 508 is shown as a block diagram. Each gateway 115 has four downstream uplink channels to the satellite 105 by use of two frequency ranges and two polarizations. A Rx/DC block 636 takes the analog signal and converts the signal to an intermediate frequency. There is a Rx/DC block 636 for all sixty downstream uplink channels from the fifteen gateways 115. The IF switch 612 connects a particular channel 800 from a gateway 115 to a particular service spot beam 205. Each IF signal from the switch 628 is modulated and amplified with a UC/TWTA block 632. An antenna broadcasts the signal using a spot beam to subscriber terminals 130 that occupy the area of the spot beam. Just as with the upstream translator 504, the downstream translator 508 can change carrier frequency and polarization of a particular downstream channel in a bent-pipe fashion.

[0105] **FIG. 7** comprises a block diagram illustrating a set of subscriber equipment 700, which may be located at a subscriber location for the reception and transmission of communication signals. Components of this set of subscriber equipment 700 may, for example, comprise the antenna 125, associated subscriber terminal 130 and any consumer premises equipment (CPE) 160, which may be a computer, a network, etc.

[0106] An antenna 125 may receive signals from a satellite 105. The antenna 125 may comprise a VSAT antenna, or any of a variety other antenna types (e.g., other parabolic antennas, microstrip antennas, or helical antennas). In some embodiments, the antenna 125 may be configured to dynamically modify its configuration to better receive signals at certain frequency ranges or from certain locations. From the antenna 125, the signals are forwarded (perhaps after some form of processing) to the subscriber terminal 130. The subscriber terminal 130 may include a radio frequency (RF) frontend 705, a controller 715, a sub-channel filter 702, a modulator 725, a demodulator 710, a filter 706, a downstream protocol converter 718, an upstream protocol converter 722, a receive (Rx) buffer 712, and a transmit (Tx) buffer 716.

[0107] In this embodiment, the RF frontend 705 has both transmit and receive functions. The receive function includes amplification of the received signals (e.g., with a low noise amplifier (LNA)). This amplified signal is then downconverted (e.g., using a mixer to combine it with a signal from a local oscillator (LO)). This downconverted signal may be amplified again with the RF frontend 705, before processing of the superframe 804 with the sub-channel filter 702. A subset of each superframe 804 is culled from the downstream channel 800 by the sub-channel filter 702, for example, one or more sub-channels 808 are filtered off for further processing.

[0108] A variety of modulation and coding techniques may be used at the subscriber terminal 130 for signals received from and transmitted to a satellite. In this embodiment, modulation techniques include BPSK, QPSK, 8PSK, 16APSK, 32PSK. In other embodiments, additional modulation techniques may include ASK, FSK, MFSK, and QAM, as well as a variety of analog techniques. The demodulator 710 may demodulate the downconverted signals, forwarding the demodulated sub-channel 808 to a filter 706 to strip out the data intended for the particular subscriber terminal 130 from other information in the sub-channel 808.

[0109] Once the information destined for the particular subscriber terminal 130 is isolated, a downstream protocol converter 718 translates the protocol used for the satellite link into one that the DOCSIS MAC block 726 uses. Alternative embodiments could use a WiMAX MAC block or a combination DOCSIS/WiMAX block. A Rx buffer 712 is used to convert the high-speed received burst into a lower-speed stream that the DOCSIS MAC block 726 can process. The DOCSIS MAC block 726 is a circuit that receives a DOCSIS stream and manages it for the CPE 160. Tasks such as provisioning, bandwidth management, access control, quality of service, etc. are managed by the DOCSIS MAC block 726. The CPE can often interface with the DOCSIS MAC block 726 using Ethernet, WiFi, USB and/or other standard interfaces. In some embodiments, a WiMAX block 726 could be used instead of a DOCSIS MAC block 726 to allow use of the WiMAX protocol.

[0110] It is also worth noting that while a downstream protocol converter 718 and upstream protocol converter 722 may be used to convert received packets to DOCSIS or WiMAX compatible frames for processing by a MAC block 726, these converters will not be necessary in many embodiments. For example, in embodiments where DOCSIS or WiMAX based components are not used, the protocol used for the satellite link may also be compatible with the MAC block 726 without such conversions, and the converters 718, 722 may therefore be excluded.

[0111] Various functions of the subscriber terminal 130 are managed by the controller 715. The controller 715 may oversee a variety of decoding, interleaving, decryption, and unscrambling techniques, as known in the art. The controller may also manage the functions applicable to the signals and exchange of processed data with one or more CPEs 160. The CPE 160 may comprise one or more user terminals, such as personal computers, laptops, or any other computing devices as known in the art.

[0112] The controller 715, along with the other components of the subscriber terminal 130, may be implemented in one or more Application Specific Integrated Circuits (ASICs), or a general purpose processor adapted to perform the applicable functions. Alternatively, the functions of the subscriber terminal 130 may be performed by one or more other processing units (or cores), on one or more integrated circuits. In other embodiments, other types of integrated circuits may be used (e.g., Structured/Platform ASICs, Field Programmable Gate Arrays (FPGAs) and other Semi-Custom ICs), which may be programmed in any manner known in the art. The controller may be programmed to access a memory unit (not shown). It may fetch instructions and other data from the memory unit, or write data to the memory-unit.

[0113] As noted above, data may also be transmitted from the CPE 160 through the subscriber terminal 130 and up to a satellite 105 in various communication signals. The CPE 160, therefore, may transmit data to DOCSIS MAC block 726 for conversion to the DOCSIS protocol before that protocol is translated with an upstream protocol converter 722. The slow-rate data waits in the Tx buffer 716 until it is burst over the satellite link.

[0114] The processed data is then transmitted from the Tx buffer 716 to the modulator 725, where it is modulated using one of the techniques described above. In some embodiments, adaptive or variable coding and modulation techniques may be used in these transmissions. Specifically, different modulation and coding combinations, or "modcodes," may be used for different packets, depending on the signal quality metrics from the antenna 125 to the satellite 105. Other factors, such as network and satellite congestion issues, may be factored into the determination, as well. Signal quality information may be received from the satellite or other sources, and various decisions regarding modcode applicability may be made locally at the controller, or remotely. The RF frontend 705 may then amplify and upconvert the modulated signals for transmission through the antenna 125 to the satellite.

Satellite Architecture

[0115] According to an embodiment of the invention, a novel architecture is presented for establishing a multi-beam satellite communication system having both forward links and return links connecting gateways and subscriber terminals. Such a multi-beam satellite communication system is illustrated in the figures. For example, referring to Figs. 1A and 1B, a gateway 115 sends a forward link signal to one or more subscriber terminals 130-a through 130-n via satellite 105. Here, a forward link refers to signals sent from a gateway to one or more subscriber terminals. Such gateway-to-subscriber signals are also sometimes referred to as downstream signals. In the reverse direction, the one or more subscriber terminals 130-a through 130-n send one or more return link signals to gateway 115. Such subscriber-to-gateway signals are also sometimes referred to as upstream signals.

[0116] One of the many uses of the systems such as that shown in Figs. 1A and 1B may be to provide network access (e.g., Internet access) to the subscriber terminals. For example, a subscriber terminal 130-a may request a web page on the Internet by sending a network request using a return link (upstream) signal (145-a, 140) to gateway 115 via satellite 105. Gateway 115 responds by retrieving the requested web page from network 120, which may directly or indirectly connected to the Internet. Gateway 115 then sends the requested web page using a forward link (downstream) signal (135, 150) to subscriber terminal 130-a via satellite 105, thus completing the web page request and response. Different layers of networking protocol operations may be implemented in the process, as is known to one of ordinary skill in the art.

[0117] According to the present embodiment of the invention, satellite 105 comprises a bent pipe repeater that is capable of receiving one or more signals from Earth and transmitting the signals back toward Earth, possibly after frequency translation and polarization modification. For example, each signal received at satellite 105 at a particular frequency and polarization may be transmitted out of satellite 105 at a different frequency and/or polarization. The bent pipe repeater may also provide switching operations, such that different "feeder signals" (i.e., signals sent to and from gateways) may be switched to be connected to different "service signals" (i.e., signals sent to and from subscriber terminals). The bent pipe repeater does not demodulate signals received at the satellite into data such as bits and re-modulate the data for transmission. This is in contrast to processing repeaters, which are capable of performing such demodulation and re-modulation to achieve gains in error correction performance. Even though processing repeaters are commercially available,

a bent pipe repeater is adopted to achieve optimal efficiency in forward link and return link communications in accordance with the present embodiment of the invention.

[0118] Referring to **FIG. 6B**, satellite components for handling forward links in the downstream direction from gateways to subscriber terminals may be implemented as shown in accordance with one embodiment of the invention. Here, 15 gateways together send 60 forward link signals to the satellite. Specifically, each gateway sends an uplink feeder beam comprising 4 different forward link signals utilizing an antenna. Each of the 4 forward link signals is transmitted using a different combination of frequency band and polarization. Each unique combination is referred to as a specific "color," as discussed previously. Each forward link signal is received at the satellite at a particular receiver module 636. Each receiver module 636 may include a receiver such as a low noise amplifier (LNA) followed by a downconverter (DC) that converts the forward link signal to a convenient frequency, such as an intermediate frequency (IF).

[0119] According to an embodiment of the invention, each forward link signal is a broadband signal. Here, the term "broadband" is used in the context of satellite communications and specifically refers to a signal having a bandwidth of at least 250 MHz. For example, in the present embodiment, each forward link signal is a broadband signal and has a bandwidth of 500 MHz.

[0120] Each forward link signal is then connected through a switch 628 to an appropriate transmit module 632. Transmit module may include an upconverter (UC) that up-converts the IF forward link signal to a frequency suitable for transmission, followed by a satellite-based transmission amplifier. According to an embodiment of the invention, the satellite-based transmission amplifier may be a traveling wave tube amplifier (TWTA), which efficiently amplifies the signal as a single-carrier signal. Here, each satellite-based transmission amplifier is employed to amplify only one single-carrier signal, which allows the amplifier to be operated more efficiently. This design allows highly efficient use of the satellite-based transmission amplifiers.

[0121] Thus, each satellite-based transmission amplifier produces an amplified single-carrier signal that may then be transmitted out using an antenna to form a spot beam that reaches Earth. The spot beam thus has an earth surface coverage area. Subscriber terminals that are within this particular earth surface coverage area would be able to receive the forward link signal. Here, each spot beam is formed by the output of a single satellite-based

transmission amplifier. In other words, there is no need to combined the outputs of multiple transmission amplifiers to form each spot beam. This precludes power losses and allows the satellite-based transmission amplifiers to be operated even more efficiently.

[0122] The novel use of a single carrier signal per satellite-based transmission amplifier and a single satellite-based transmission amplifier per spot beam aboard a pent-pipe repeater optimizes the ratio of data capacity to power consumption at the satellite, to obtain significant improvements in performance from satellite equipment.

Frequency Re-use for Service and Gateway Beams

[0123] According to an embodiment of the invention, a satellite system is presented that adopts multiple levels of frequency re-use to maximize usage of available frequency bandwidth. In addition to employing frequency re-use amongst multiple service beams such that different service beams may occupy a common frequency channel, the system further employs frequency re-use between service beams and feeder beams by locating gateways in regions separated from coverage areas of service beams. In addition, frequency re-use may also be employed amongst multiple feeder beams to allow further gains in spectral efficiency. Such multiple levels of frequency re-use is explained in more detail in an illustrative system as discussed below.

[0124] Referring to the example systems depicted in Figs. 6A and 6B, a star network includes 15 independent feeder beams to support 60 service beams. Thus, each feeder beam corresponds to four service beams. Here, this ratio is maintained in both the uplink and downlink direction. In the forward direction, every uplink feeder beam is relayed by the satellite to generate four downlink service beams. In the return direction, every four uplink service beams are relayed by the satellite to generate one downlink feeder beam. Thus, the star network can be viewed as having 15 groups of signals, each group containing one uplink feeder beam, one downlink feeder beam, four uplink service beams, and four downlink service beams.

[0125] FIG. 14 presents an illustrative frequency re-use plan 400 that may be adopted in accordance with one embodiment of the invention. FIG. 14 shows the re-use of frequencies for just 1 of the 15 groups of signals discussed above. However, according to a preferred embodiment of the invention, the same frequency re-use plan 400 can be applied to each of the 15 groups of signals. The particular values shown in FIG. 14, such as the specific

frequency channels, are chosen as illustrative examples. Other values may be used within the scope of the present invention.

[0126] First, an uplink feeder beam 4002 comprising 4 carriers is shown as being sent from a gateway terminal 115 to the satellite 105, by utilizing 4 different combinations of frequency and polarization (4 "colors") as described previously. Here, these 4 colors are formed using two different 500 MHz uplink frequency channels, 27.5 GHz - 28 GHz and 29.5 GHz - 30 GHz, along with two different polarizations, right hand circular polarization (RHCP) and left hand circular polarization (LHCP).

[0127] Next, four downlink service beams 4004 are shown as being sent from the satellite 105 to subscriber terminals 130. There are 4 colors shown, formed using two different 500 MHz downlink frequency channels, 17.7 GHz - 18.2 GHz and 19.7 GHz - 20.2 GHz, along with two different polarizations RHCP and LHCP. Here, because the four downlink service beams 4004 possess spatial diversity amongst themselves, which facilitates frequency re-use, different options exist for how the 4 colors may be used. In one implementation, all four colors are used, each for a different downlink service beam 4004. In another implementation, only two of the colors are used for the four downlink service beams 4004. For example, the two colors representing (1) 17.7 GHz - 18.2 GHz with LHCP and (2) 17.7 GHz - 18.2 GHz with RHCP may be used to transmit all four downlink service beams 4004. Thus, the downlink service beams 4004 may be transmitted using the same 500 MHz bandwidth, but with alternating polarizations (LHCP and RHCP) assigned to physically adjacent downlink service beams 4004, to allow closely spaced beams to be distinguished from one another. Other variations are possible and are within the scope of the present invention.

[0128] Next, four uplink service beams 4006 are shown as being sent from subscriber terminals 130 to the satellite 105. Here, the same 4 colors used to transmit uplink feeder beam 4002 may be re-used to transmit the four uplink service beams 4008. Specifically, these 4 colors are formed using two different 500 MHz uplink frequency channels, 27.5 GHz - 28 GHz and 29.5 GHz - 30 GHz, along with two different polarizations, RHCP and LHCP. This is possible because the gateway 115 sending uplink feeder beam 4002 is positioned at a different location on Earth than the subscriber terminals 130 sending uplink service beams 4006. Directional antennas on the satellite 105 are therefore able to separately receive uplink feeder beam 4002 and uplink service beam 4008, even though they may be transmitted using the same uplink frequencies and polarizations. In addition, because the four uplink service

beams 4006 possess spatial diversity amongst themselves, which facilitates frequency re-use, different options exist for how these 4 colors may be used to transmit uplink service beams 4006. For example, all 4 colors may be used, or just 2 colors may be used, or some variation may be adopted. The situation is similar to that discussed above with respect to the four downlink service beams 4004.

[0129] Finally, a downlink feeder beam 4008 comprising 4 carriers is shown as being sent from the satellite to the gateway terminal. Here, the same 4 colors used to transmit downlink service beams 4004 may be re-used to transmit the downlink feeder beam 4008. Specifically, these 4 colors are formed using two different 500 MHz downlink frequency channels, 17.7 GHz - 18.2 GHz and 19.7 GHz - 20.2 GHz, along with two different polarizations RHCP and LHCP. This is possible because the gateway receiving downlink feeder beam 4008 is positioned at a different location on Earth than the subscriber terminals 130 receiving downlink service beams 4004. That is, the gateway is located in the feeder beam coverage area where downlink feeder beam 4008 can be received. Separately, the subscriber terminals 130 are located in the service beam coverage areas where downlink service beams 4004 can be received. As such, downlink feeder beam 4008 and downlink service beams 4004 can re-use the same downlink frequencies and polarizations, yet still be separately received by the intended recipients.

[0130] As mentioned previously, the same frequency re-use plan 400 may be applied to each of the 15 groups of signals. That is, the entire system comprising 15 uplink feeder beams 4002, 60 downlink service beams 4004, 60 uplink service beams 4006, and 15 downlink feeder beams 4008 may simultaneously adopt the same frequency re-use plan 400. This is achieved by capitalizing on spatial diversity that may exist amongst the 60 service beam 205 coverage areas, positioning the 15 feeder beam 225 coverage areas sufficiently far away from the 60 service beam 205 coverage areas, and positioning the 15 feeder beam 225 coverage areas sufficiently far apart from one another. Accordingly, three different levels of frequency re-use are realized. First, frequency re-use is achieved amongst service beams. Second, frequency re-use is achieved between service beams and feeder beams. Third, frequency re-use is achieved amongst feeder beams.

Placement of Gateways Away From Service Beams

[0131] According to an embodiment of the invention, a satellite system 100 is presented having efficient placement of gateway terminals 115. As discussed previously, spatial

diversity between gateways and subscriber terminals facilitates frequency re-use of between service beams 205 and feeder beams 225. Also, spatial diversity amongst gateways facilitates frequency re-use amongst feeder beams 225. Placement of the gateways may take into account these and other considerations.

[0132] In one embodiment, the plurality of different service beam 205 coverage areas (e.g., 60 service beam coverage areas) may be designed to only provide strategically chosen partial coverage over a coverage region. Generally speaking, typical satellite systems that provide communications over a geographic region attempt to achieve full coverage such that service is available over the entire region. However, in accordance with the present embodiment of the invention, a satellite system may be designed to only provide strategically chosen partial coverage over a particular region. For example, the coverage region may comprise a region including the western, eastern, and southern portions of the United States. The specific coverage areas supported by the service beams 205 may be chosen in different ways. For example, the coverage areas may correspond to "underserved" locations, where there may exist significant populations but where high bandwidth network access is not yet readily available.

[0133] According to an embodiment of the present invention, the one or more gateways are placed away from the coverage areas of the service beams 205, to facilitate frequency re-use between service beams 205 and feeder beams 225. In the example system discussed earlier, suppose the 60 uplink and downlink service beams have coverage areas in a region that spans the western, eastern, and southern portions of the United States. Then the 15 gateways may be located in a region, such as the middle portion of the United States, away from the coverage region of the service beams.

[0134] In addition, a plurality of gateways 115 (e.g., 15 gateways) may need to be located sufficiently far apart from each other such that frequency re-use may be further adopted amongst different feeder beams 225. For instance, each gateway 115 may need to be placed such that has a minimum distance of 400 kilometers from any neighboring gateway. Thus, neighboring gateways may use the same frequency channels without interfering with one another.

[0135] A further possible constraint on the placement of the gateways 115 relates to physical proximity to higher bandwidth network access. For example, gateways 115 may be located near optical fiber network connections. This allows the gateways 115 to have fast

and robust network access such that data communications requiring access to networks is not hindered. According to one embodiment of the invention, in addition to other requirements, each gateway is placed within a distance of 50 kilometers from an optical fiber network connection.

[0136] Yet another possible constraint on the placement of the gateways 115 relates to area weather patterns. Gateways may need to be located in areas that experience minimal rain fade. Just as an example, each gateway 115 may be required to be placed at a location where overall rain fade at the uplink frequency is less 10dB of fading for 99.99% of the time. This further constrains the selection of possible locations for gateway terminals.

[0137] Thus, in accordance with an embodiment of the present invention, the placement of the gateways 115 may take into account multiple factors such as those described above. While meeting such multiple constraints can make the placement of gateways 115 significantly more challenging, a system that adopts these constraints is likely to achieve superior overall performance.

Piggy-back Satellite Payload

[0138] According to one embodiment, a portion of the total buss power aboard a communications satellite is used to support a version of the satellite communication system 100 of the present invention. Referred to as a "piggy back" mode, this technique allows either an entire satellite communication system as described above, or a portion thereof, to be supported by a satellite that also carries other communications payload. For example, if a particular satellite has an available total buss power of 15 kilowatts (KW), and the satellite already has an existing payload that consumes 13 KW of buss power, there may remain 2 KW of excess buss power aboard the satellite. According to one embodiment of the invention, a satellite system as describe above, or a portion thereof, may be implemented by using the remaining 2 KW of buss power. Thus, an example system of 8 service beams and 2 corresponding feeder beams in the forward and return link directions may be deployed using the excess 2 KW of buss power aboard the communication satellite described above.

[0139] The added payload may constitute an independent satellite communication system. Alternatively, the added payload may constitute a fraction of a satellite system. For example, a full satellite system may employ 60 service beams 205 and 15 corresponding feeder beams in the forward link and the return link direction, as discussed previously. A fraction of such a system may correspond to the 8 service beams and 2 corresponding feeder beams in the

forward and return link directions discussed above. The features of the full satellite system may be substantially represented in the fractional system.

[0140] The added payload may adopt a structure similar to that of an independent satellite architecture as described in embodiments discussed previously. For example, in the forward link direction, each feeder beam 225 sent from a gateway 115 to the satellite 105 may comprise 4 signals (represented by four "colors," for instance) that produce 4 separate single-carrier signals sent from the satellite as separate service spot beams to reach subscriber terminals. Other satellite architecture features may similarly be adopted for use in a system implemented as an added payload.

[0141] Different implementations are possible. One implementation is briefly described below for illustrative purposes. Here, the added payload comprises a Ka package that can be added to an existing satellite procurement. Such a system may at a very high level enable trade-offs in design that minimize the impact of the package on the physical design and layout, weight, and power on the overall satellite design. An example market for this added payload may be the consumer broadband market. The package may be capable of 10 spot beams each of which is approximately 0.35 degrees Half Power Beam Width (HPBW) on transmit and receive. TWTA redundancy should be consistent with orbital life. The system may have four color re-use with 2 of the 10 spot beams for feeder links. The Effective Isotropic Radiated Power (EIRP) of the package may be 70 dBW per spot beam and the G/T may be 27 dB/K per spot beam. The individual transponders may be wide band on the order of 500 MHz. Polarization may be circular and alternate spots may use alternately Left and Right Hand polarization. The input SFD may be settable from -105 to -85 dB in one dB steps.

[0142] According to the invention, differently sized payloads may be thus added through use of "piggy back" mode to allow efficient use of excess buss power aboard satellites. Specific parameters such as the number of spot beams implemented may be varied according to the needs of the system.

Adaptive Use of Satellite Uplink Bands

[0143] According to an embodiment of the invention, adaptive use of satellite uplink bands is employed. One example implementation of such a technique allows flexible use of frequency channels by a subscriber terminal that is a secondary spectrum license holder. The right of a secondary spectrum license holder to transmit on a specified frequency band is

secondary to that of a primary spectrum license holder. That is, the primary spectrum license holder may be able to transmit signals on the frequency band whenever it chooses, without regard for other users. By contrast, a secondary spectrum license holder may only be allowed to transmit on the specified frequency band if the primary spectrum license holder is not transmitting on the specified band. Adaptive use of satellite uplink bands as described in various embodiments of the present invention may be utilized by a subscriber terminal which is a secondary spectrum holder, to ensure that when another signal, e.g., the primary license holder's signal, is detected, re-assignment of the transmit frequency channel can be performed to move satellite uplink transmission to a different frequency as to not interfere with the primary spectrum license holder.

[0144] FIG. 15 presents an illustrative system employing adaptive use of satellite uplink bands in accordance with one embodiment of the invention. Here, a central unit 121 controls the assignment of transmit frequency channels and receive frequency channels used by subscriber terminals such as 130-a-1 and 130-a-2. Central unit 121 may be coupled to a gateway 115 through network 120. Central unit 121 may thus be connected to other gateways as well, in order to control a larger satellite system. In an alternative embodiment, central unit 121 may be contained in a gateway such as gateway 115.

[0145] Central unit 121 assigns to subscriber terminal 130-a-1 a transmit frequency channel in which to transmit satellite uplink signals 145-a-1, as well a receive frequency channel in which to receive satellite downlink signals 150. Similarly, central unit 121 assigns to subscriber terminal 130-a-2 a transmit frequency channel in which to transmit satellite uplink signals 145-a-2, as well as a receive frequency channel in which to receive satellite downlink signals 150. According to an embodiment of the invention, central unit 121 may employ an adaptive scheme to assign transmit frequency channels to one or more subscriber terminals, based on local observations of the transmit frequency spectrum made by the subscriber terminals and reported back to the central unit 121, as discussed below.

[0146] Subscriber terminal 130-a-1's transmission of satellite uplink signals 145-a-1 in the assigned transmit frequency channel may be intermittent in nature. For example, the uplink signals may carry web page requests that only require short bursts of data. Thus, the satellite uplink signals may be sent during time-separated periods of transmission. That is, each period of transmission may be limited in duration. The periods of transmission may be separated by time in which no transmission is sent from subscriber terminal 130-a-1.

[0147] Subscriber terminal 130-a-1 may monitor the assigned transmit frequency channel between these time-separated periods of transmission of satellite uplink signals. That is,

when subscriber terminal 130-a-1 is not transmitting, it can monitor the assigned transmit frequency channel for possible presence of other signals from outside sources. There may be different types of such outside sources, such as a Land Mobile Data Services (LMDS) user 127. One context in which such a scenario could arise is when central unit 121 assigns a transmit frequency channel that utilizes bandwidth in which the LMDS user 127 is the primary spectrum license holder, and subscriber terminal 130-a-1 is a secondary spectrum license holder. As such, subscriber terminal 130-a-1 may not use the assigned transmit frequency channel if the LMDS user 127 is using the channel.

[0148] In addition to monitoring the assigned transmit frequency channel, subscriber terminal 130-a-1 may also monitor at least one out-of-band frequency channel different from the assigned transmit frequency channel. For example, subscriber terminal 130-a-1 may also monitor one or more neighboring frequency channels. The neighboring frequency channels may include a number of channels in the vicinity of the assigned transmit frequency channel. These may include channels that are immediately adjacent to the currently assigned transmit frequency channel, as well as other channels. Monitoring of out-of-band frequency channels facilitates detection of other signals, such as signal 128, over a wider range of frequencies. This information allows a more complete picture to be formed regarding the spectrum that can potentially be used by subscriber terminal 130-a-1 for signal transmission.

[0149] In one embodiment, subscriber terminal 130-a-1 transmits and receives satellite signals using a first antenna 125-a-1, and performs monitoring of frequency channels using a second antenna 126-a-1. Here, this dual antenna arrangement allows for easier implementation. The first antenna 125-a-1 may be a parabolic reflective antenna pointed toward satellite 150. Thus, the first antenna is suited for transmitting and receiving satellite signals. The second antenna 126-a-2 may be a dipole antenna designed for terrestrial signals. The second antenna may be well suited for detecting terrestrial signals that travel in the direction along the horizon, such as a signal 128 sent from LMDS user 127. This is merely one example arrangement. Variations may be implemented within the scope of the invention.

[0150] When a signal such as signal 128 from the LMDS user 127 is detected, subscriber terminal 130-a-1 notifies central unit 121. This may be done using an observation result reported back to central unit 121. The observation result may be generated in different ways. As one example, subscriber terminal 130-a-1 may generate observation result automatically on a periodic basis. As another example, central unit 121 may request observation results from subscriber terminal 130-a-1 at appropriate times. Also, an observation result may be reported in different formats, depending on implementation. The format may be a Boolean

value, a numeric value, etc. In one implementation, an observation result is sent regardless of whether presence of another signal is detected. In an alternative implementation, an observation result is only sent if presence of another signal is detected.

[0151] In response, central unit 121 may re-assign subscriber terminal 130-a-1 to a different transmit frequency channel, in order to avoid interfering with the source of the detected signal. In this case, the frequency re-assignment serves to prevent interference with signal 128 sent by LMDS user 127, which may be the primary spectrum license holder. Central unit 121 may determine the new transmit frequency channel for subscriber terminal 130-a-1 in different ways. In certain embodiments, the determination is a simple one that does not take into consideration monitoring performed at other subscriber terminals. For example, there may be a default frequency channel that is assigned.

[0152] In other embodiments, the determination does take into account monitoring performed at other subscriber terminals. Some or all of the subscriber terminals may perform frequency channel monitoring and report observation results back to central unit 121. Central unit 121 may then decide on an overall frequency assignment that considers the needs of a plurality of subscriber terminals. Thus, the determination of a newly assigned transmit frequency channel for each subscriber terminal may be made as part of the overall frequency assignment. A simple example is described below for illustrative purposes.

[0153] Suppose subscriber terminal 130-a-1 is currently assigned to transmit satellite uplink signals on frequency channel X and reports that it observes that frequency channel X and most other frequency channels are being used by other signals (such as signal 128 from an LMDS user), and that only one particular frequency channel Y appears to be unused by other signals. Further suppose that subscriber terminal 130-a-2 is currently assigned to transmit satellite uplink signals on frequency channel Y and reports that it observes that frequency channel Y and most other frequency channels are not being used by other signals. In response, central unit 121 may determine that the best overall frequency assignment would involve re-assigning subscriber terminal 130-a-2 to a transmit frequency channel other than Y, so that channel Y can be assigned to subscriber terminals 130-a-1. For instance, subscriber terminal 130-a-2 may be re-assigned to frequency channel X, and subscriber terminal 130-a-1 may be re-assigned to frequency channel Y. This allows both subscriber terminals to operate without interfering with other signals that may represent primary spectrum license holders, by taking into account the observations made at both subscriber terminals to arrive at a joint frequency plan for the subscriber terminals. Of course, this is

only a simple example involving two subscriber terminals. Frequency assignments involving more subscriber terminals are within the scope of the present invention.

[0154] It should be noted that the systems, methods, and software discussed above are intended merely to be exemplary in nature. It must be stressed that various embodiments may omit, substitute, or add various procedures or components as appropriate. For instance, it should be appreciated that in alternative embodiments, the methods may be performed in an order different than that described, and that various steps may be added, omitted or combined. Also, features described with respect to certain embodiments may be combined in various other embodiments. Different aspects and elements of the embodiments may be combined in a similar manner. Also, it should be emphasized that technology evolves and, thus, many of the elements are exemplary in nature and should not be interpreted to limit the scope of the invention.

[0155] Specific details are given in the description to provide a thorough understanding of the embodiments. However, it will be understood by one of ordinary skill in the art that the embodiments may be practiced without these specific details. For example, well-known circuits, processes, algorithms, structures, and techniques have been shown without unnecessary detail in order to avoid obscuring the embodiments.

[0156] Also, it is noted that the embodiments may be described as a process which is depicted as a flow chart, a structure diagram, or a block diagram. Although they may describe the operations as a sequential process, many of the operations can be performed in parallel or concurrently. In addition, the order of the operations may be re-arranged. A process is terminated when its operations are completed, but could have additional steps not included in the figure.

[0157] Moreover, as disclosed herein, the terms "storage medium" or "storage device" may represent one or more devices for storing data, including read only memory (ROM), random access memory (RAM), magnetic RAM, core memory, magnetic disk storage mediums, optical storage mediums, flash memory devices or other computer readable mediums for storing information. The term "computer-readable medium" includes, but is not limited to, portable or fixed storage devices, optical storage devices, wireless channels, a sim card, other smart cards, and various other mediums capable of storing, containing or carrying instructions or data.

[0158] Furthermore, embodiments may be implemented by hardware, software, firmware, middleware, microcode, hardware description languages, or any combination thereof. When

implemented in software, firmware, middleware or microcode, the program code or code segments to perform the necessary tasks may be stored in a machine readable medium such as a storage medium. Processors may perform the necessary tasks.

[0159] Having described several embodiments, it will be recognized by those of skill in the art that various modifications, alternative constructions, and equivalents may be used without departing from the spirit of the invention. For example, the above elements may merely be a component of a larger system, wherein other rules may take precedence over or otherwise modify the application of the invention. Also, a number of steps may be required before the above elements are considered. Accordingly, the above description should not be taken as limiting the scope of the invention, which is defined in the following claims.

WHAT IS CLAIMED IS:

- 1 1. A method for allocating transmission bandwidth comprising:
2 at a subscriber terminal assigned by a central unit to transmit satellite uplink
3 signals in a first assigned transmit frequency channel, transmitting satellite uplink signals
4 intermittently by transmitting during time-separated periods of transmission in the first
5 assigned transmit frequency channel;
6 at the subscriber terminal, monitoring the first assigned transmit frequency
7 channel between the time-separated periods of transmission of satellite uplink signals from
8 the subscriber terminal, to generate at least one observation result relating to possible
9 presence of another signal in the first assigned transmit frequency channel, and reporting the
10 at least one observation result to the central unit; and
11 at the central unit, receiving the at least one observation result and determining
12 a re-assignment of the subscriber terminal to a second assigned transmit frequency channel
13 based on the at least one observation result reported by the subscriber terminal, and sending a
14 message conveying the re-assignment to the subscriber terminal, in order to direct the
15 subscriber terminal to transmit satellite uplink signals in the second assigned transmit
16 frequency channel.
- 1 2. The method of claim 1 further comprising the step of monitoring at
2 least one out-of-band frequency channel different from the first assigned transmit frequency
3 channel to generate the at least one observation result, wherein the at least one observation
4 result further relates to possible presence of a signal in the at least one out-of-band frequency
5 channel.
- 1 3. The method of claim 2 wherein the at least one out-of-band frequency
2 channel comprises neighboring frequency channels adjacent to the first assigned transmit
3 frequency channel.
- 1 4. The method of claim 1 wherein the at least one observation result
2 indicates presence of an outside source that is a primary spectrum license holder, and the
3 subscriber terminal is a secondary spectrum license holder.
- 1 5. The method of claim 1 wherein the at least one observation result
2 indicates presence of a Land Mobile Data Services (LMDS) user.

1 6. The method of claim 1 wherein the subscriber terminal is further
2 capable of receiving satellite downlink signals in a first assigned receive frequency channel
3 using a first antenna and monitoring the first assigned transmit frequency channel using a
4 second antenna.

1 7. The method of claim 6 wherein the first antenna is configured for
2 receiving satellite signals, and the second antenna is configured for receiving terrestrial
3 signals.

1 8. The method of claim 1 wherein the central unit takes into account
2 observation results reported by other subscriber terminals, in addition to the at least one
3 observation result reported by the subscriber terminal, in determining the re-assignment of
4 the subscriber terminal to the second assigned transmit frequency channel.

1 9. An apparatus for allocating transmission bandwidth comprising:
2 a central unit;
3 a subscriber terminal capable of being assigned, by the central unit, to transmit
4 satellite uplink signals in a first assigned transmit frequency channel, the subscriber terminal
5 capable of transmitting satellite uplink signals intermittently by transmitting during time-
6 separated periods of transmission in the first assigned transmit frequency channel;

7 wherein the subscriber terminal is capable of monitoring the first assigned
8 transmit frequency channel between the time-separated periods of transmission of satellite
9 uplink signals from the subscriber terminal, to generate at least one observation result relating
10 to possible presence of another signal in the first assigned transmit frequency channel and
11 report the at least one observation result to the central unit; and

12 wherein the central unit is capable of receiving the at least one observation
13 result and determining a re-assignment of the subscriber terminal to a second assigned
14 transmit frequency channel based on the at least one observation result reported by the
15 subscriber terminal, the central unit capable of causing a message to be sent conveying the re-
16 assignment to the subscriber terminal, in order to direct the subscriber terminal to transmit
17 satellite uplink signals in the second assigned transmit frequency channel.

1 10. The apparatus of claim 9 wherein the subscriber terminal is capable of
2 monitoring at least one out-of-band frequency channel different from the first assigned
3 transmit frequency channel to generate the at least one observation result, wherein the at least

4 one observation result further relates to possible presence of a signal in the at least one out-
5 of-band frequency channel.

1 11. The apparatus of claim 10 wherein the at least one out-of-band
2 frequency channel comprises neighboring frequency channels adjacent to the first assigned
3 transmit frequency channel.

1 12. The apparatus of claim 9 wherein the at least one observation result
2 indicates presence of an outside source that is a primary spectrum license holder, and the
3 subscriber terminal is a secondary spectrum license holder.

1 13. The apparatus of claim 9 wherein the at least one observation result
2 indicates presence of a Land Mobile Data Services (LMDS) user.

1 14. The apparatus of claim 9 wherein the subscriber terminal is further
2 capable of receiving satellite downlink signals in a first assigned receive frequency channel
3 using a first antenna and monitoring the first assigned transmit frequency channel using a
4 second antenna.

1 15. The apparatus of claim 14 wherein the first antenna is configured for
2 receiving satellite signals, and the second antenna is configured for receiving terrestrial
3 signals.

1 16. The apparatus of claim 9 wherein the central unit is capable of taking
2 into account observation results reported by other subscriber terminals, in addition to the at
3 least one observation result reported by the subscriber terminal, in determining the re-
4 assignment of the subscriber terminal to the second assigned transmit frequency channel.

1 17. A system for allocating transmission bandwidth comprising:
2 means for, at a subscriber terminal assigned by a central unit to transmit
3 satellite uplink signals in a first assigned transmit frequency channel, transmitting satellite
4 uplink signals intermittently by transmitting during time-separated periods of transmission in
5 the first assigned transmit frequency channel;

6 means for, at the subscriber terminal, monitoring the first assigned transmit
7 frequency channel between the time-separated periods of transmission of satellite uplink
8 signals from the subscriber terminal, to generate at least one observation result relating to

9 possible presence of another signal in the first assigned transmit frequency channel, and
10 reporting the at least one observation result to the central unit; and
11 means for, at the central unit, receiving the at least one observation result and
12 determining a re-assignment of the subscriber terminal to a second assigned transmit
13 frequency channel based on the at least one observation result reported by the subscriber
14 terminal, and sending a message conveying the re-assignment to the subscriber terminal, in
15 order to direct the subscriber terminal to transmit satellite uplink signals in the second
16 assigned transmit frequency channel.

1 18. A method for communicating data in a multibeam satellite system
2 utilizing frequency re-use comprising:
3 establishing service beams including uplink service beams and downlink
4 service beams between a satellite and a plurality of subscriber terminals, each downlink
5 service beam being associated with a different service beam coverage area, to form a plurality
6 of service beam coverage areas;

7 wherein a plurality of the uplink service beams are transmitted to the satellite
8 by re-using at least one common uplink frequency channel, and a plurality of the downlink
9 service beams are transmitted from the satellite by re-using at least one common downlink
10 frequency channel;

11 establishing at least one uplink feeder beam and at least one downlink feeder
12 beam between the satellite and a gateway terminal, the at least one downlink feeder beam
13 being associated with a feeder beam coverage area separated from the plurality of service
14 beam coverage areas, the at least one uplink feeder beam being received at the satellite to
15 form a plurality of the downlink service beams, a plurality of the uplink service beams being
16 received at the satellite to form the at least one downlink feeder beam; and

17 wherein the at least one uplink feeder beam is transmitted to the satellite by
18 further re-using the at least one common uplink frequency channel, and the at least one
19 downlink feeder beam is transmitted from the satellite by further re-using the at least one
20 common downlink frequency channel.

1 19. The method of claim 18 wherein the at least one uplink feeder beam
2 comprises multiple uplink feeder beams, and the at least one downlink feeder beam
3 comprises multiple downlink feeder beams, wherein a plurality of the uplink feeder beams
4 are transmitted to the satellite by yet further re-using the at least one common uplink
5 frequency channel, and a plurality of the downlink feeder beams are transmitted from the
6 satellite by yet further re-using the at least one common downlink frequency channel.

1 20. The method of claim 18 wherein the at least one uplink feeder beam
2 comprises 4 carriers, wherein the at least one common uplink frequency channel comprises
3 two frequency channels, each of the two frequency channels capable of being separated by
4 right hand circular polarization (RHCP) and left hand circular polarization (LHCP), to form 4
5 unique combinations of frequency and polarization, and wherein each of the 4 carriers is
6 transmitted using one of the 4 unique combinations of frequency and polarization.

1 21. The method of claim 18 wherein the at least one downlink feeder beam
2 comprises 4 carriers, wherein the at least one common downlink frequency channel
3 comprises two frequency channels, each of the two frequency channels capable of being
4 separated by right hand circular polarization (RHCP) and left hand circular polarization
5 (LHCP), to form 4 unique combinations of frequency and polarization, and wherein each of
6 the 4 carriers is transmitted using one of the 4 unique combinations of frequency and
7 polarization.

1 22. The method of claim 18 wherein each uplink service beam comprises 1
2 carrier, wherein the at least one common uplink frequency channel comprises two frequency
3 channels, each of the two frequency channels capable of being separated by right hand
4 circular polarization (RHCP) and left hand circular polarization (LHCP), to form 4 unique
5 combinations of frequency and polarization, and wherein each carrier of an uplink service
6 beam is transmitted using one of the 4 unique combinations of frequency and polarization.

1 23. The method of claim 18 wherein each downlink service beam
2 comprises 1 carrier, wherein the at least one common downlink frequency channel comprises
3 two frequency channels, each of the two frequency channels capable of being separated by
4 right hand circular polarization (RHCP) and left hand circular polarization (LHCP), to form 4
5 unique combinations of frequency and polarization, and wherein each carrier of a downlink
6 service beam is transmitted using one of the 4 unique combinations of frequency and
7 polarization.

1 24. The method of claim 18 wherein the at least one common uplink
2 frequency channel includes a 500 MHz frequency channel.

1 25. The method of claim 18 wherein the at least one common downlink
2 frequency channel includes a 500 MHz frequency channel.

1 26. A multibeam satellite system utilizing frequency re-use comprising:
2 a plurality of subscriber terminals capable of establishing service beams
3 including uplink service beams and downlink service beams between the subscriber terminals
4 and a satellite, each downlink service beam being associated with a different service beam
5 coverage area, to form a plurality of service beam coverage areas;

6 wherein a plurality of the uplink service beams are suited for transmission to
7 the satellite by re-using at least one common uplink frequency channel, and a plurality of the
8 downlink service beams are suited for transmission from the satellite by re-using at least one
9 common downlink frequency channel;

10 a gateway terminal capable of establishing at least one uplink feeder beam and
11 at least one downlink feeder beam between the gateway terminal and the satellite, the at least
12 one downlink feeder beam being associated with a feeder beam coverage area separated from
13 the plurality of service beam coverage areas, the at least one uplink feeder beam to be
14 received at the satellite to form a plurality of the downlink service beams, a plurality of the
15 uplink service beams to be received at the satellite to form the at least one downlink feeder
16 beam; and

17 wherein the at least one uplink feeder beam is suited for transmission to the
18 satellite by further re-using the at least one common uplink frequency channel, and the at
19 least one downlink feeder beam is suited for transmission from the satellite by further re-
20 using the at least one common downlink frequency channel.

1 27. The apparatus of claim 26 wherein the at least one uplink feeder beam
2 comprises multiple uplink feeder beams, and the at least one downlink feeder beam
3 comprises multiple downlink feeder beams, wherein a plurality of the uplink feeder beams
4 are suited for transmission to the satellite by yet further re-using the at least one common
5 uplink frequency channel, and a plurality of the downlink feeder beams are suited for
6 transmission from the satellite by yet further re-using the at least one common downlink
7 frequency channel.

1 28. The apparatus of claim 26 wherein the at least one uplink feeder beam
2 comprises 4 carriers, wherein the at least one common uplink frequency channel comprises
3 two frequency channels, each of the two frequency channels capable of being separated by
4 right hand circular polarization (RHCP) and left hand circular polarization (LHCP), to form 4
5 unique combinations of frequency and polarization, and wherein each of the 4 carriers is
6 transmitted using one of the 4 unique combinations of frequency and polarization.

1 29. The apparatus of claim 26 wherein the at least one downlink feeder
2 beam comprises 4 carriers, wherein the at least one common downlink frequency channel
3 comprises two frequency channels, each of the two frequency channels capable of being
4 separated by right hand circular polarization (RHCP) and left hand circular polarization

5 (LHCP), to form 4 unique combinations of frequency and polarization, and wherein each of
6 the 4 carriers is transmitted using one of the 4 unique combinations of frequency and
7 polarization.

1 30. The apparatus of claim 26 wherein each uplink service beam comprises
2 1 carrier, wherein the at least one common uplink frequency channel comprises two
3 frequency channels, each of the two frequency channels capable of being separated by right
4 hand circular polarization (RHCP) and left hand circular polarization (LHCP), to form 4
5 unique combinations of frequency and polarization, and wherein each carrier of an uplink
6 service beam is transmitted using one of the 4 unique combinations of frequency and
7 polarization.

1 31. The apparatus of claim 26 wherein each downlink service beam
2 comprises 1 carrier, wherein the at least one common downlink frequency channel comprises
3 two frequency channels, each of the two frequency channels capable of being separated by
4 right hand circular polarization (RHCP) and left hand circular polarization (LHCP), to form 4
5 unique combinations of frequency and polarization, and wherein each carrier of a downlink
6 service beam is transmitted using one of the 4 unique combinations of frequency and
7 polarization.

1 32. The apparatus of claim 26 wherein the at least one common uplink
2 frequency channel includes a 500 MHz frequency channel.

1 33. The apparatus of claim 26 wherein the at least one common downlink
2 frequency channel includes a 500 MHz frequency channel.

1 34. A system for communicating data in a multibeam satellite system
2 utilizing frequency re-use comprising:
3 means for establishing service beams including uplink service beams and
4 downlink service beams between a satellite and a plurality of subscriber terminals, each
5 downlink service beam being associated with a different service beam coverage area, to form
6 a plurality of service beam coverage areas;

7 wherein a plurality of the uplink service beams are transmitted to the satellite
8 by re-using at least one common uplink frequency channel, and a plurality of the downlink
9 service beams are transmitted from the satellite by re-using at least one common downlink
10 frequency channel;

11 means for establishing at least one uplink feeder beam and at least one
12 downlink feeder beam between the satellite and a gateway terminal, the at least one downlink
13 feeder beam being associated with a feeder beam coverage area separated from the plurality
14 of service beam coverage areas, the at least one uplink feeder beam being received at the
15 satellite to form a plurality of the downlink service beams, a plurality of the uplink service
16 beams being received at the satellite to form the at least one downlink feeder beam; and
17 wherein the at least one uplink feeder beam is transmitted to the satellite by
18 further re-using the at least one common uplink frequency channel, and the at least one
19 downlink feeder beam is transmitted from the satellite by further re-using the at least one
20 common downlink frequency channel.

1 35. A method for transmitting data in a satellite system having multiple
2 spot beams, the method comprising:
3 sending a broadband signal in a forward direction from a gateway terminal to
4 a communications satellite for relay to at least one subscriber terminal;
5 receiving the broadband signal at the communications satellite, wherein the
6 communications satellite comprises a bent pipe repeater having a plurality of satellite-based
7 transmission amplifiers, each satellite-based transmission amplifier capable of performing
8 amplification to generate a service spot beam;
9 amplifying the broadband signal using one of the plurality of satellite-based
10 transmission amplifiers to produce an amplified broadband signal, wherein the one of the
11 plurality of satellite-based transmission amplifiers is employed to amplify only the broadband
12 signal and no other broadband signal from the gateway terminal;
13 sending the amplified broadband signal to the at least one subscriber terminal,
14 the amplified broadband signal being sent as one of a plurality of service spot beams, the one
15 of the plurality of service spot beams having an earth surface coverage area including the at
16 least one subscriber terminal, wherein the amplified broadband signal alone occupies the one
17 of the plurality of service spot beams; and
18 receiving and retrieving data from the amplified broadband signal at the at
19 least one subscriber terminal.

1 36. The method of claim 35 wherein the amplified broadband signal is a
2 single-carrier signal.

1 37. The method of claim 36 wherein the amplified broadband signal
2 supports a data rate of at least 1 Gigabits per second (Gbps).

1 38. The method of claim 36 wherein the amplified broadband signal has a
2 bandwidth of at least 500 MHz.

1 39. The method of claim 35 wherein each of the plurality of satellite-based
2 transmission amplifiers comprises a traveling wave tube amplifier (TWTA).

1 40. The method of claim 35 wherein the plurality of service spot beams
2 comprise 60 service spot beams.

1 41. The method of claim 35 wherein the broadband signal sent from the
2 gateway terminal to the communications satellite is contained in one of a plurality of feeder
3 beams sent from gateway terminals to the communications satellite.

1 42. The method of claim 41 wherein the plurality of feeder beams
2 comprises 15 feeder beams.

1 43. The method of claim 41 wherein each of the plurality of feeder beams
2 contains 4 carriers each representing a separate signal sent in the forward direction from a
3 gateway terminal to the communications satellite.

1 44. An apparatus for transmitting data in a satellite system having multiple
2 spot beams comprising:
3 at least one subscriber terminal;
4 a gateway terminal capable of sending a broadband signal in a forward
5 direction to a communications satellite for relay to the at least one subscriber terminal;
6 wherein the communications satellite is capable of receiving the broadband
7 signal, the communications satellite comprising a bent pipe repeater having a plurality of
8 satellite-based transmission amplifiers, each satellite-based transmission amplifier capable of
9 performing amplification to generate a service spot beam;
10 wherein one of the plurality of satellite-based transmission amplifiers is
11 capable of amplifying only the broadband signal and no other broadband signal from the
12 gateway terminal, to produce an amplified broadband signal;
13 wherein the amplified broadband signal is suited for transmission to the at
14 least one subscriber terminal as one of a plurality of service spot beams, the one of the
15 plurality of service spot beams having an earth surface coverage area including the at least
16 one subscriber terminal, wherein the amplified broadband signal alone occupies the one of
17 the plurality of service spot beams; and
18 wherein the at least one subscriber terminal is capable of receiving and
19 retrieving data from the amplified broadband signal.

1 45. The apparatus of claim 44 wherein the amplified broadband signal is a
2 single-carrier signal.

1 46. The apparatus of claim 45 wherein the amplified broadband signal
2 supports a data rate of at least 1 Gigabits per second (Gbps).

1 47. The apparatus of claim 45 wherein the amplified broadband signal has
2 a bandwidth of at least 500 MHz.

1 48. The apparatus of claim 44 wherein each of the plurality of satellite-
2 based transmission amplifiers comprises a traveling wave tube amplifier (TWTA).

1 49. The apparatus of claim 44 wherein the plurality of service spot beams
2 comprise 60 service spot beams.

1 50. The apparatus of claim 44 wherein the broadband signal to be sent
2 from the gateway terminal to the communications satellite is contained in one of a plurality of
3 feeder beams sent from gateway terminals to the communications satellite.

1 51. The apparatus of claim 50 wherein the plurality of feeder beams
2 comprises 15 feeder beams.

1 52. The apparatus of claim 50 wherein each of the plurality of feeder
2 beams contains 4 carriers each representing a separate signal sent in the forward direction
3 from a gateway terminal to the communications satellite.

1 53. A system for transmitting data in a satellite system having multiple
2 spot beams, the method comprising:

3 means for sending a broadband signal in a forward direction from a gateway
4 terminal to a communications satellite for relay to at least one subscriber terminal;

5 means for receiving the broadband signal at the communications satellite,
6 wherein the communications satellite comprises a bent pipe repeater having a plurality of
7 satellite-based transmission amplifiers, each satellite-based transmission amplifier capable of
8 performing amplification to generate a service spot beam;

9 means for amplifying the broadband signal using one of the plurality of
10 satellite-based transmission amplifiers to produce an amplified broadband signal, wherein the
11 one of the plurality of satellite-based transmission amplifiers is employed to amplify only the
12 broadband signal and no other broadband signal from the gateway terminal;

13 means for sending the amplified broadband signal to the at least one subscriber
14 terminal, the amplified broadband signal being sent as one of a plurality of service spot
15 beams, the one of the plurality of service spot beams having an earth surface coverage area
16 including the at least one subscriber terminal, wherein the amplified broadband signal alone
17 occupies the one of the plurality of service spot beams; and
18 means for receiving and retrieving data from the amplified broadband signal at
19 the at least one subscriber terminal.

1 54. A method for utilizing excess satellite bus power comprising:
2 sending a broadband signal contained in at least one feeder beam in a forward
3 direction from a gateway terminal to a bent pipe repeater communications satellite for relay
4 to at least one subscriber terminal;
5 wherein the communications satellite is operable to provide a total amount of
6 bus power, wherein an existing payload of the communication satellite consumes an occupied
7 portion of the total amount of bus power, wherein an additional payload of the
8 communications satellite consumes a remaining portion of the total amount of bus power and
9 comprises a plurality of satellite-based transmission amplifiers each capable of performing
10 amplification to generate a service spot beam;
11 receiving the broadband signal at the communications satellite and amplifying
12 the broadband signal using one of the plurality of satellite-based transmission amplifiers to
13 produce an amplified broadband signal;
14 sending the amplified broadband signal to the at least one subscriber terminal,
15 the amplified broadband signal being sent as one of a plurality of service spot beams; and
16 receiving and retrieving data from the amplified broadband signal at the at
17 least one subscriber terminal.

1 55. The method of claim 54 wherein the additional payload supports a full
2 satellite system, the full satellite system comprising the M feeder beams and N service beams.

1 56. The method of claim 54 wherein the additional payload support a
2 fraction of a full satellite system, the full satellite system comprising the M feeder beams and
3 N service beams.

1 57. The method of claim 56 wherein the full satellite system comprises 15
2 feeder beams ($M = 15$) and 60 service beams ($N = 60$), and the additional payload supports 2
3 feeder beams and 8 service beams.

1 58. The method of claim 54 wherein each of the at least one feeder beam
2 comprises 4 signals, each signal transmitted using one of four different combinations of
3 frequency and polarization.

1 59. The method of claim 54 wherein the plurality of service beams are
2 associated with different earth surface coverage areas and employ frequency re-use to utilize
3 at least one common frequency channel.

1 60. The method of claim 59 wherein neighboring earth surface coverage
2 areas associated with the plurality of service beams use alternating left and right hand circular
3 polarization.

1 61. The method of claim 54 wherein the at least one feeder beam and the
2 plurality of service beams utilize at least one frequency channel in a Ka band.

1 62. An apparatus for utilizing excess satellite bus power comprising:
2 at least one subscriber terminal;
3 a gateway terminal capable of sending a broadband signal contained in at least
4 one feeder beam in a forward direction to a bent pipe repeater communications satellite for
5 relay to the at least one subscriber terminal, the communications satellite operable to provide
6 a total amount of bus power, wherein an existing payload of the communication satellite
7 consumes an occupied portion of the total amount of bus power, wherein an additional
8 payload of the communications satellite consumes a remaining portion of the total amount of
9 bus power and comprises a plurality of satellite-based transmission amplifiers each capable of
10 performing amplification to generate a service spot beam;

11 wherein the communications satellite is capable of receiving the broadband
12 signal and amplifying the broadband signal using one of the plurality of satellite-based
13 transmission amplifiers to produce an amplified broadband signal;

14 wherein the at least one subscriber terminal is capable of receiving and
15 retrieving data from the amplified broadband signal, the amplified broadband signal being
16 sent as one of a plurality of service spot beams.

1 63. The apparatus of claim 62 wherein the additional payload supports a
2 full satellite system, the full satellite system comprising the M feeder beams and N service
3 beams.

1 64. The apparatus of claim 62 wherein the additional payload support a
2 fraction of a full satellite system, the full satellite system comprising the M feeder beams and
3 N service beams.

1 65. The apparatus of claim 64 wherein the full satellite system comprises
2 15 feeder beams ($M = 15$) and 60 service beams ($N = 60$), and the additional payload
3 supports 2 feeder beams and 8 service beams.

1 66. The apparatus of claim 62 wherein each of the at least one feeder beam
2 comprises 4 signals, each signal transmitted using one of four different combinations of
3 frequency and polarization.

1 67. The apparatus of claim 62 wherein the plurality of service beams are
2 associated with different earth surface coverage areas and employ frequency re-use to utilize
3 at least one common frequency channel.

1 68. The apparatus of claim 67 wherein neighboring earth surface coverage
2 areas associated with the plurality of service beams use alternating left and right hand circular
3 polarization.

1 69. The apparatus of claim 62 wherein the at least one feeder beam and the
2 plurality of service beams utilize at least one frequency channel in a Ka band.

1 70. A system for utilizing excess satellite bus power comprising:
2 means for sending a broadband signal contained in at least one feeder beam in
3 a forward direction from a gateway terminal to a bent pipe repeater communications satellite
4 for relay to at least one subscriber terminal;

5 wherein the communications satellite is operable to provide a total amount of
6 bus power, wherein an existing payload of the communication satellite consumes an occupied
7 portion of the total amount of bus power, wherein an additional payload of the
8 communications satellite consumes a remaining portion of the total amount of bus power and
9 comprises a plurality of satellite-based transmission amplifiers each capable of performing
10 amplification to generate a service spot beam;

11 means for receiving the broadband signal at the communications satellite and
12 amplifying the broadband signal using one of the plurality of satellite-based transmission
13 amplifiers to produce an amplified broadband signal;

14 means for sending the amplified broadband signal to the at least one subscriber
15 terminal, the amplified broadband signal being sent as one of a plurality of service spot
16 beams; and

17 means for receiving and retrieving data from the amplified broadband signal at
18 the at least one subscriber terminal.

1 71. A method for operating a multibeam satellite system utilizing
2 subscriber terminal and gateway terminal positioning comprising:
3 positioning a plurality of subscriber terminals within a plurality of service
4 beam coverage areas, the subscriber terminals capable of establishing uplink service beams
5 and downlink service beams between the subscriber terminals and a satellite, the downlink
6 service beams being associated with the plurality of service beam coverage areas;

7 wherein a plurality of the uplink service beams are to be transmitted to the
8 satellite by re-using at least one common uplink frequency channel, and a plurality of the
9 downlink service beams are to be transmitted from the satellite by re-using at least one
10 common downlink frequency channel;

11 positioning a gateway terminal within a feeder beam coverage area, the
12 gateway terminal capable of establishing an uplink feeder beam and a downlink feeder beam
13 between the gateway terminal and the satellite, the downlink feeder beam being associated
14 with the feeder beam coverage area, the feeder beam coverage area being located apart from
15 the plurality of service beam coverage areas, the uplink feeder beam to be received at the
16 satellite to form a plurality of the downlink service beams, a plurality of the uplink service
17 beams to be received at the satellite to form the downlink feeder beam; and

18 wherein the uplink feeder beam is to be transmitted to the satellite by further
19 re-using the at least one common uplink frequency channel, and the downlink feeder beam is
20 to be transmitted from the satellite by further re-using the at least one common downlink
21 frequency channel.

1 72. The method of claim 71 wherein the gateway terminal is one of a
2 plurality of gateway terminals, each gateway terminal being positioned within a different one
3 of a plurality of feeder link coverage areas.

1 73. The method of claim 72 wherein each of the plurality of gateway
2 terminals is separated from every other one of the plurality of gateway terminals by a
3 minimum distance of 400 kilometers.

1 74. The method of claim 73 wherein each of the plurality of gateway
2 terminals is placed within a distance of 50 kilometers from an optical fiber network
3 connection.

1 75. The method of claim 74 wherein each of the plurality of gateway
2 terminals is placed at a location where overall rain fade at the at least one common uplink
3 frequency channel is less than a particular amount of fading for a specified percentage of the
4 time.

1 76. The method of claim 75 wherein the particular amount of fading is 10
2 dB of fading, and the specified percentage of time is 99.99 % of the time.

1 77. An apparatus for multibeam satellite communications adopting
2 subscriber terminal and gateway terminal positioning comprising:
3 a plurality of subscriber terminals positioned within a plurality of service
4 beam coverage areas, the subscriber terminals capable of establishing uplink service beams
5 and downlink service beams between the subscriber terminals and a satellite, the downlink
6 service beams being associated with the plurality of service beam coverage areas;

7 wherein a plurality of the uplink service beams are to be transmitted to the
8 satellite by re-using at least one common uplink frequency channel, and a plurality of the
9 downlink service beams are to be transmitted from the satellite by re-using at least one
10 common downlink frequency channel;

11 a gateway terminal positioned within a feeder beam coverage area, the
12 gateway terminal capable of establishing an uplink feeder beam and a downlink feeder beam
13 between the gateway terminal and the satellite, the downlink feeder beam being associated
14 with the feeder beam coverage area, the feeder beam coverage area being located apart from
15 the plurality of service beam coverage areas, the uplink feeder beam to be received at the
16 satellite to form a plurality of the downlink service beams, a plurality of the uplink service
17 beams to be received at the satellite to form the downlink feeder beam; and

18 wherein the uplink feeder beam is to be transmitted to the satellite by further
19 re-using the at least one common uplink frequency channel, and the downlink feeder beam is
20 to be transmitted from the satellite by further re-using the at least one common downlink
21 frequency channel.

1 78. The apparatus of claim 77 wherein the gateway terminal is one of a
2 plurality of gateway terminals, each gateway terminal being positioned within a different one
3 of a plurality of feeder link coverage areas.

1 79. The apparatus of claim 78 wherein each of the plurality of gateway
2 terminals is separated from every other one of the plurality of gateway terminals by a
3 minimum distance of 400 kilometers.

1 80. The apparatus of claim 79 wherein each of the plurality of gateway
2 terminals is placed within a distance of 50 kilometers from an optical fiber network
3 connection.

1 81. The apparatus of claim 80 wherein each of the plurality of gateway
2 terminals is placed at a location where overall rain fade at the at least one common uplink
3 frequency channel is less than a particular amount of fading for a specified percentage of the
4 time.

1 82. The apparatus of claim 81 wherein the particular amount of fading is
2 10 dB of fading, and the specified percentage of time is 99.99 % of the time.

1 83. A system for operating a multibeam satellite system utilizing
2 subscriber terminal and gateway terminal positioning comprising:
3 means for positioning a plurality of subscriber terminals within a plurality of
4 service beam coverage areas, the subscriber terminals capable of establishing uplink service
5 beams and downlink service beams between the subscriber terminals and a satellite, the
6 downlink service beams being associated with the plurality of service beam coverage areas;
7 wherein a plurality of the uplink service beams are to be transmitted to the
8 satellite by re-using at least one common uplink frequency channel, and a plurality of the
9 downlink service beams are to be transmitted from the satellite by re-using at least one
10 common downlink frequency channel;
11 means for positioning a gateway terminal within a feeder beam coverage area,
12 the gateway terminal capable of establishing an uplink feeder beam and a downlink feeder
13 beam between the gateway terminal and the satellite, the downlink feeder beam being
14 associated with the feeder beam coverage area, the feeder beam coverage area being located
15 apart from the plurality of service beam coverage areas, the uplink feeder beam to be received
16 at the satellite to form a plurality of the downlink service beams, a plurality of the uplink
17 service beams to be received at the satellite to form the downlink feeder beam; and
18 wherein the uplink feeder beam is to be transmitted to the satellite by further
19 re-using the at least one common uplink frequency channel, and the downlink feeder beam is

20 to be transmitted from the satellite by further re-using the at least one common downlink
21 frequency channel.

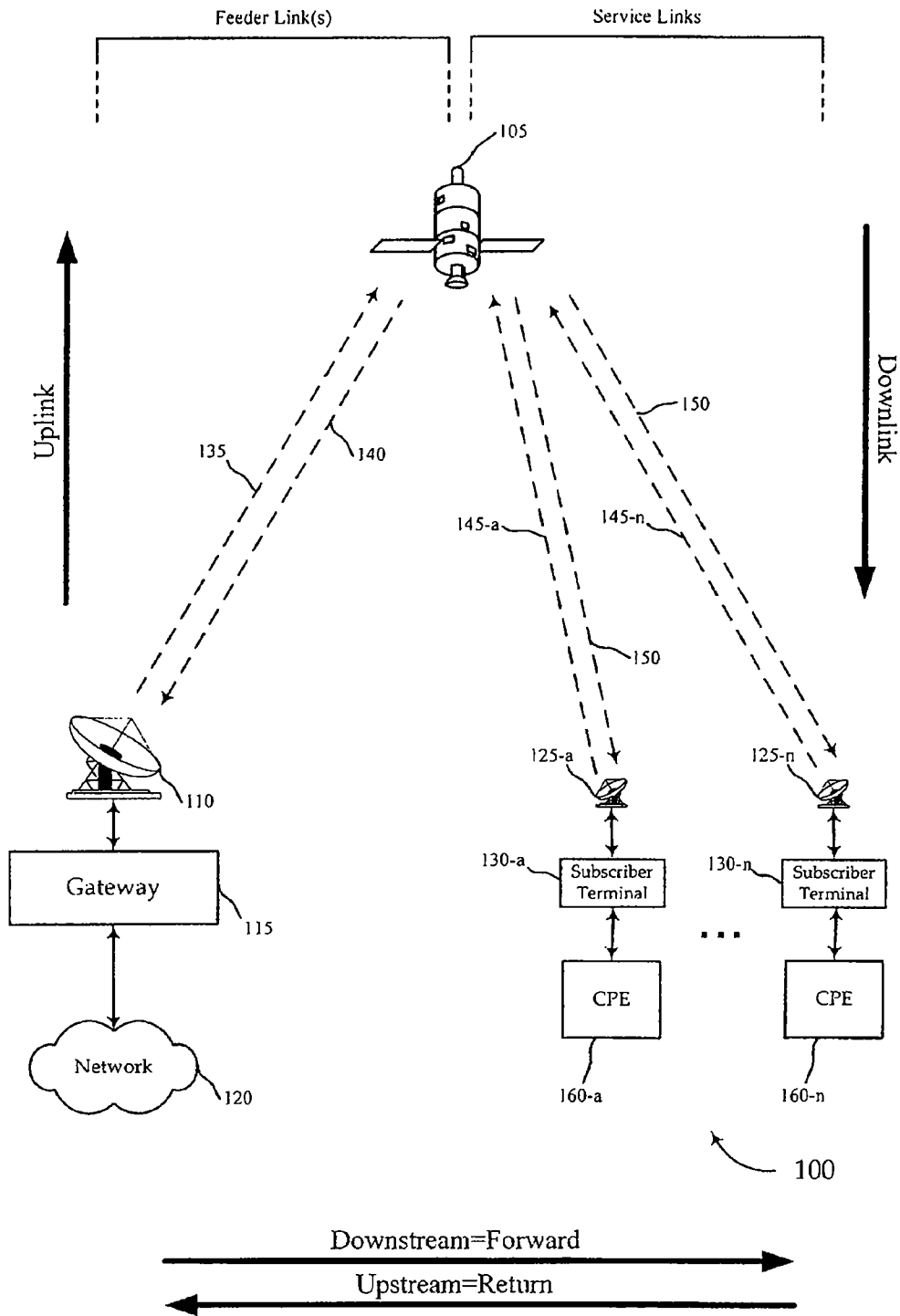


FIG. 1A

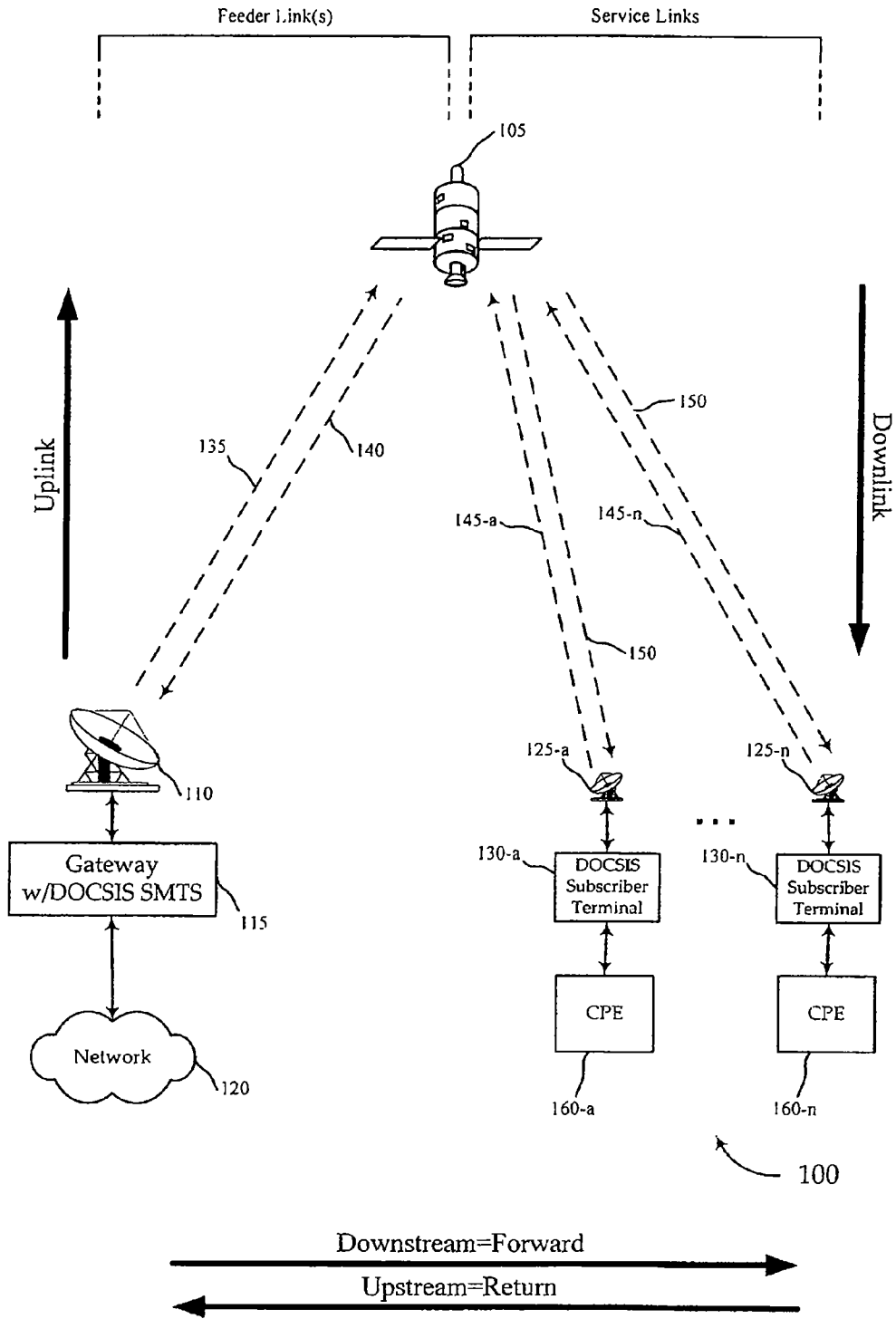


FIG. 1B

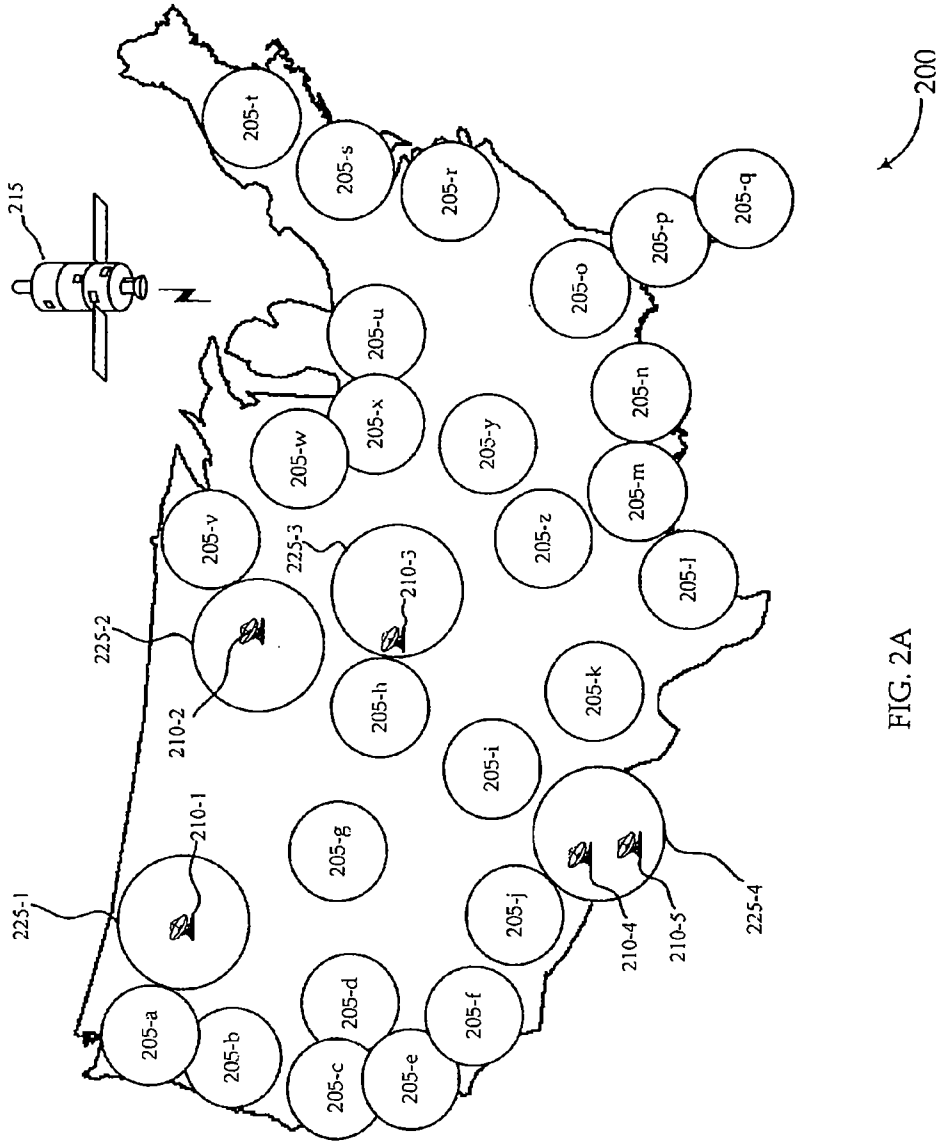


FIG. 2A

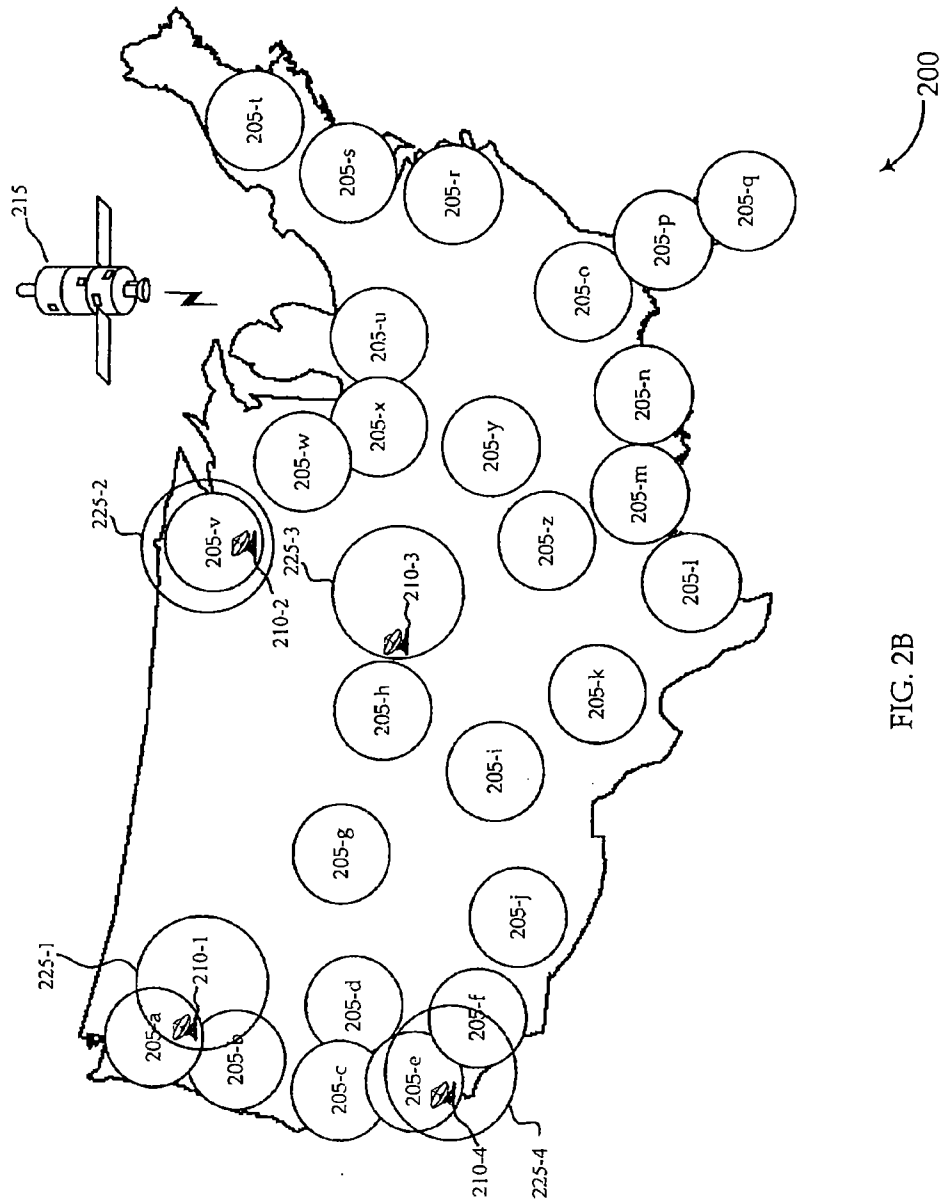


FIG. 2B

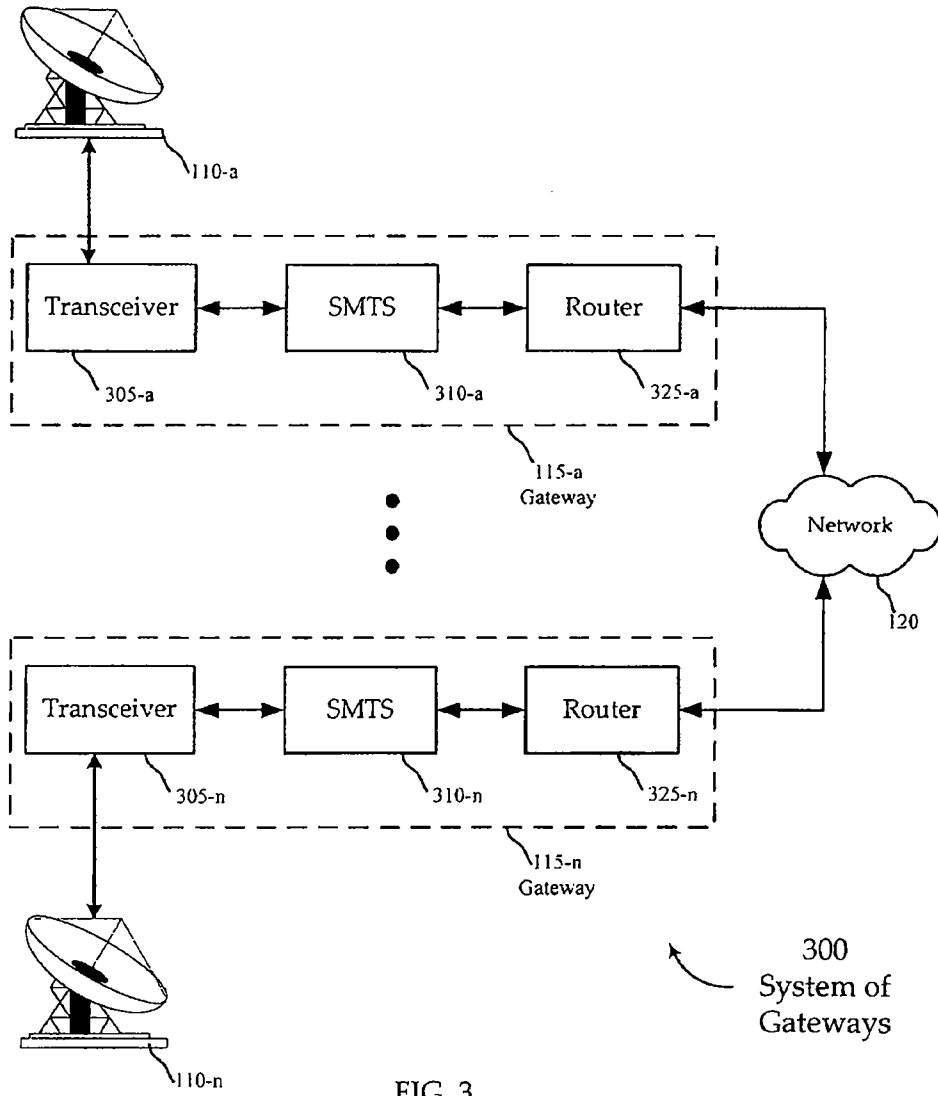


FIG. 3

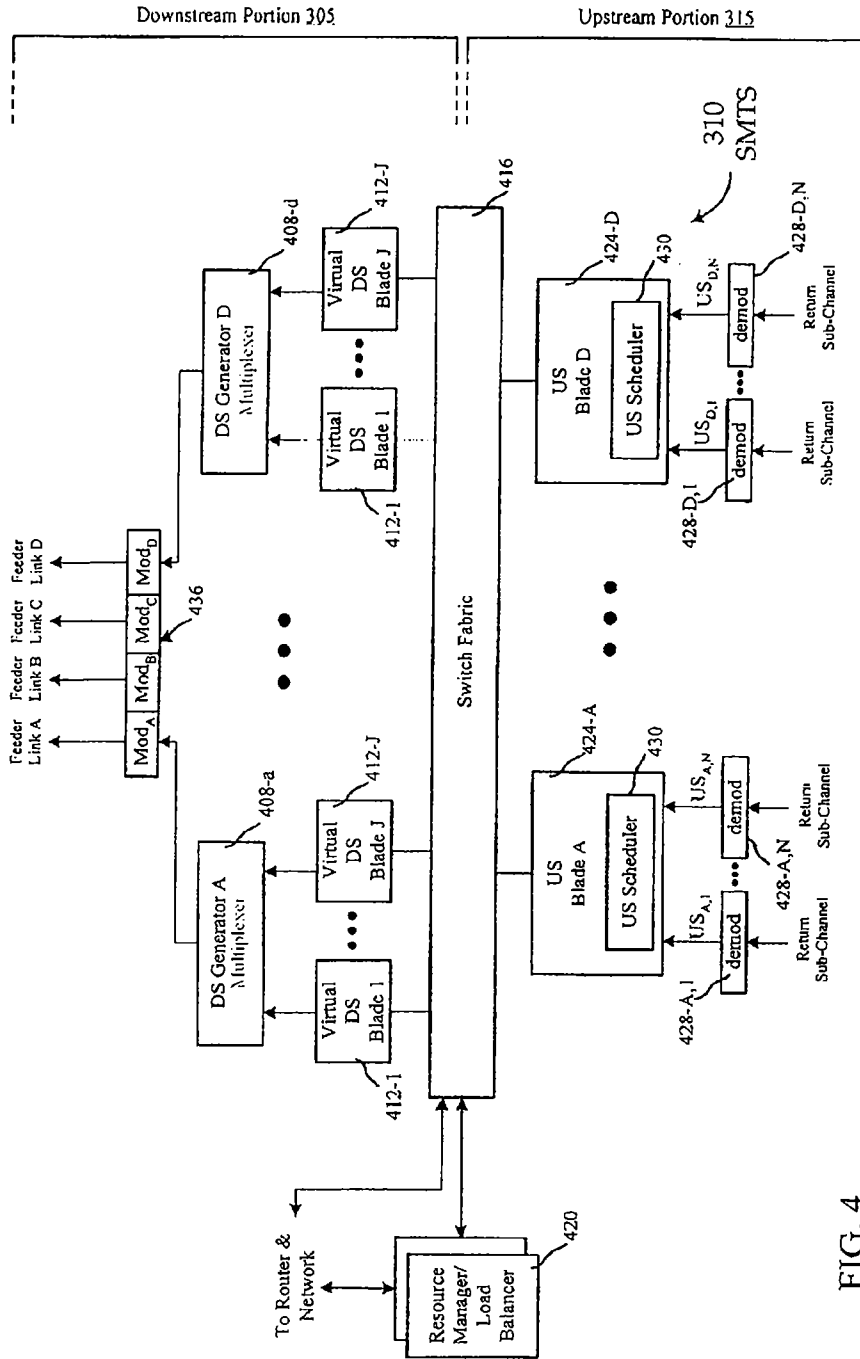


FIG. 4

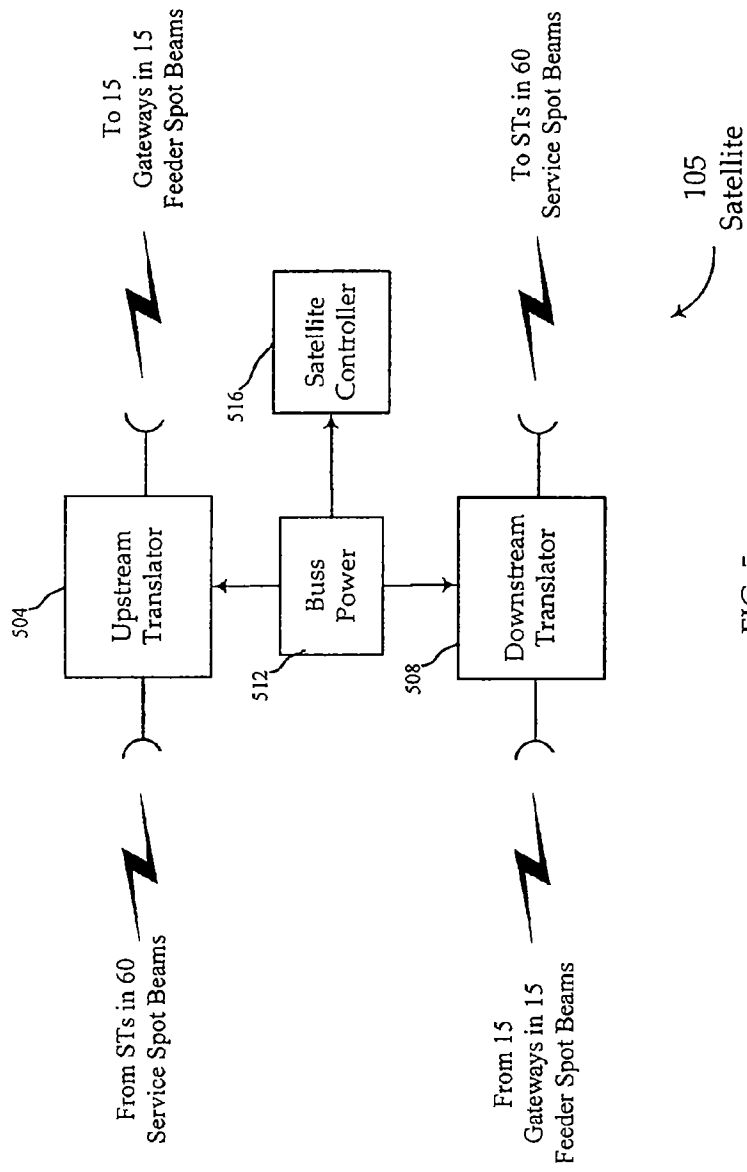


FIG. 5

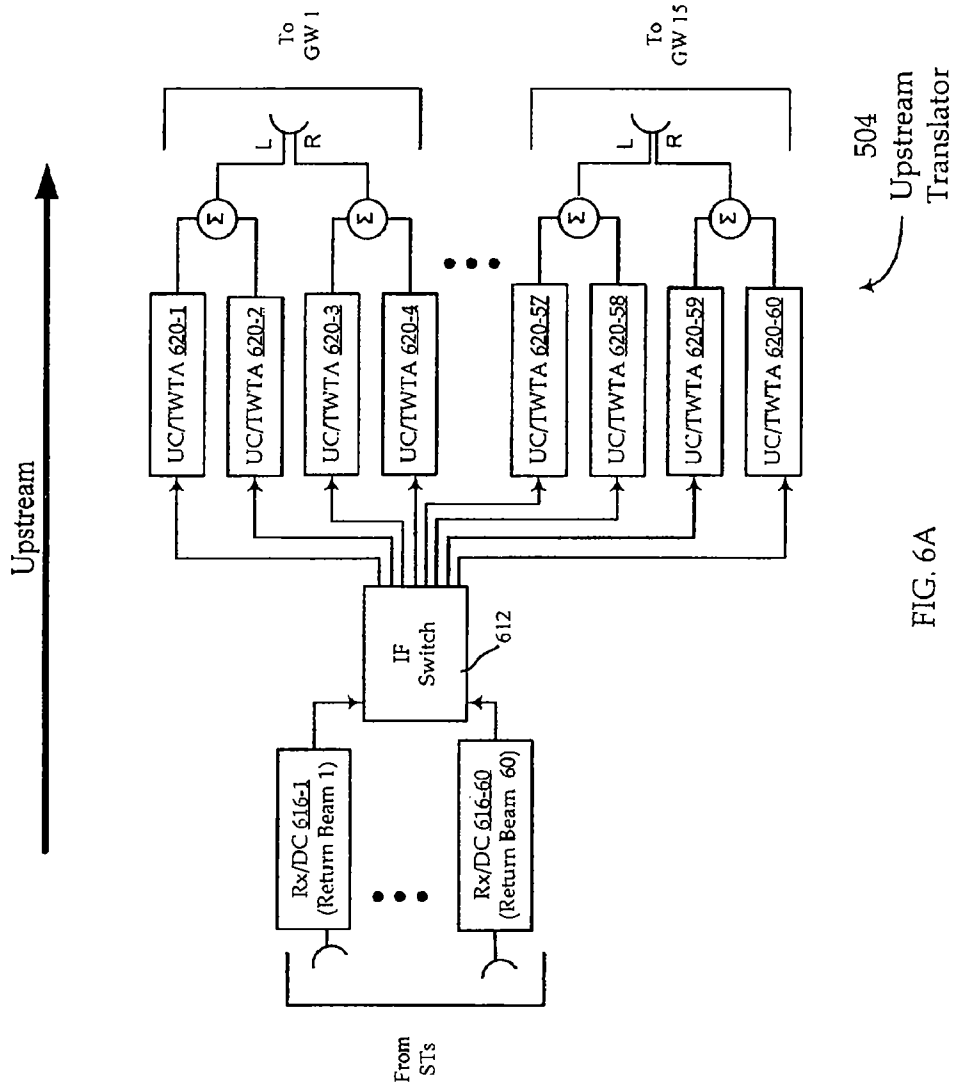


FIG. 6A

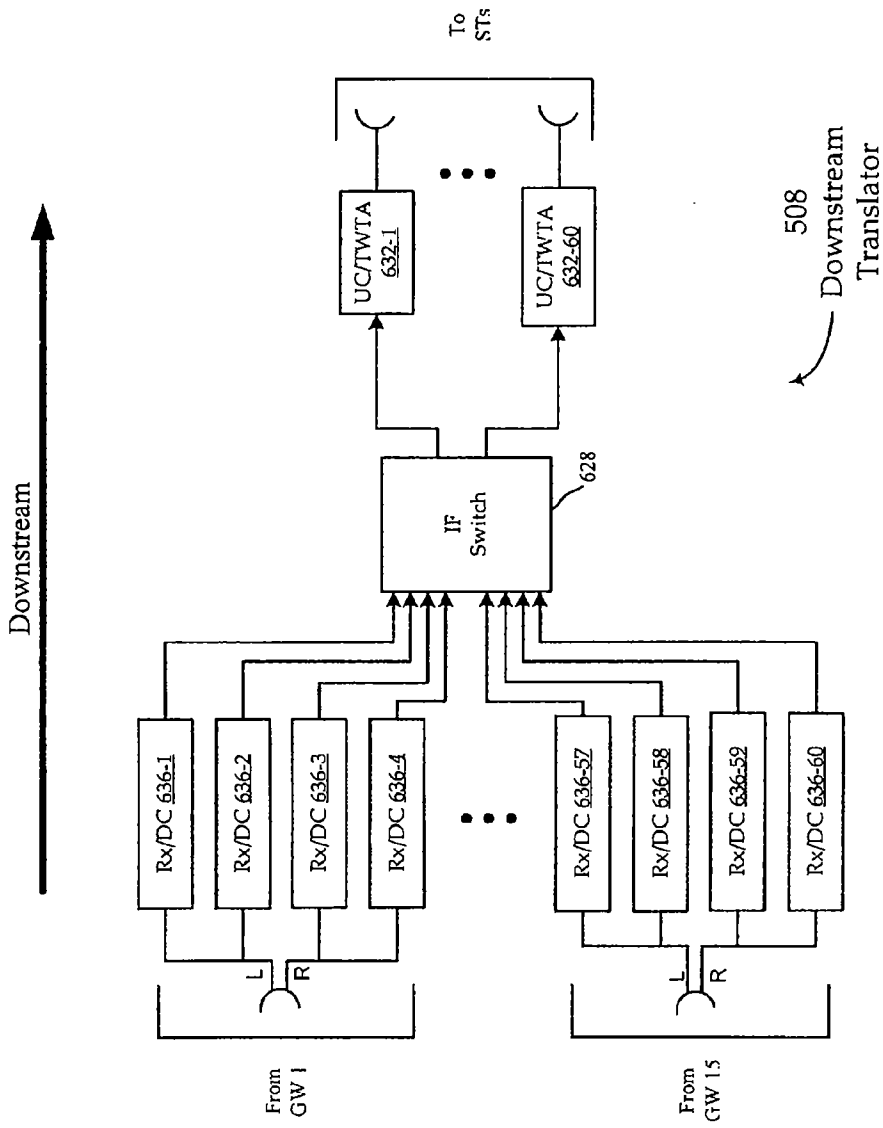


FIG. 6B

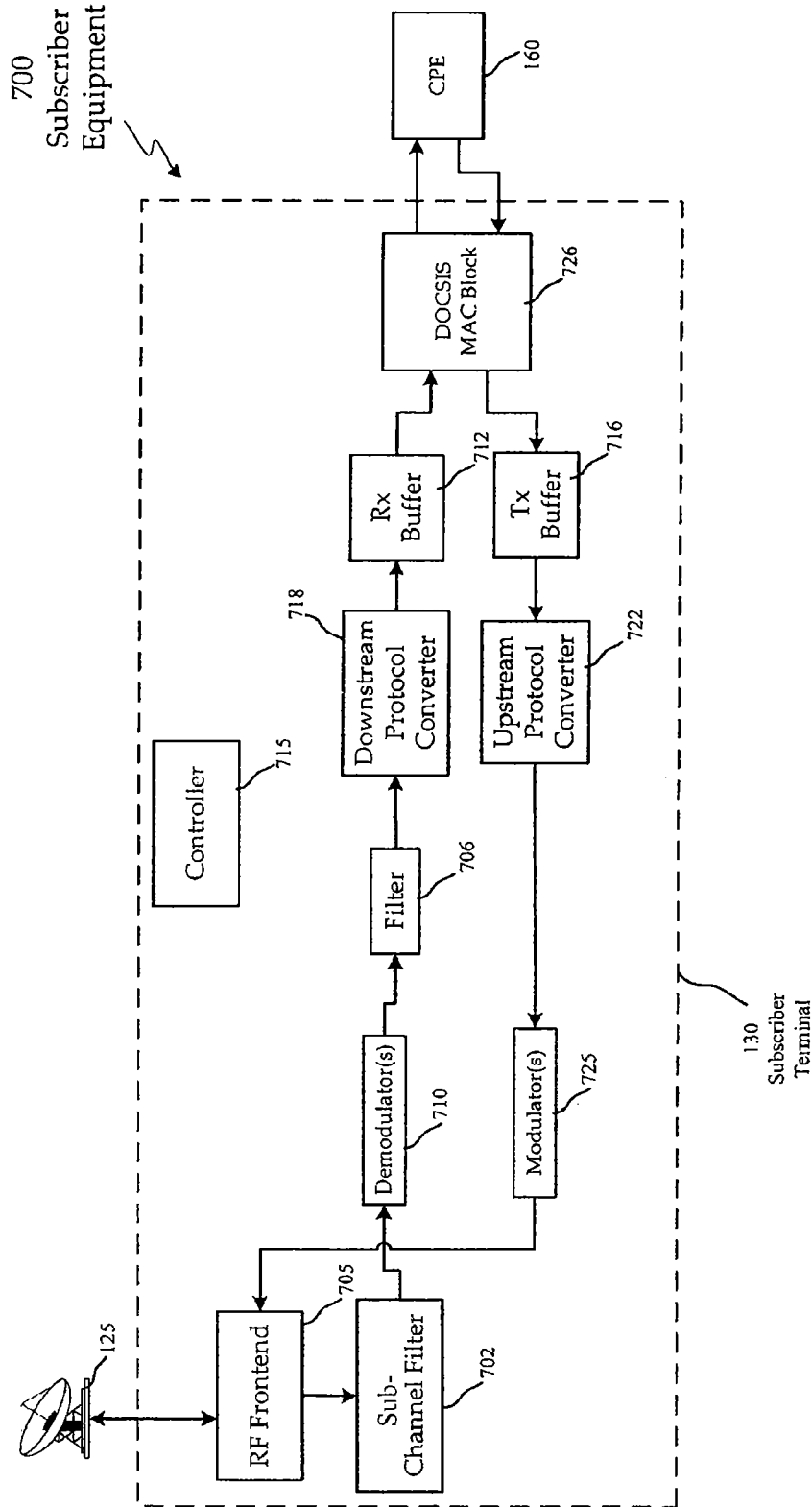


FIG. 7

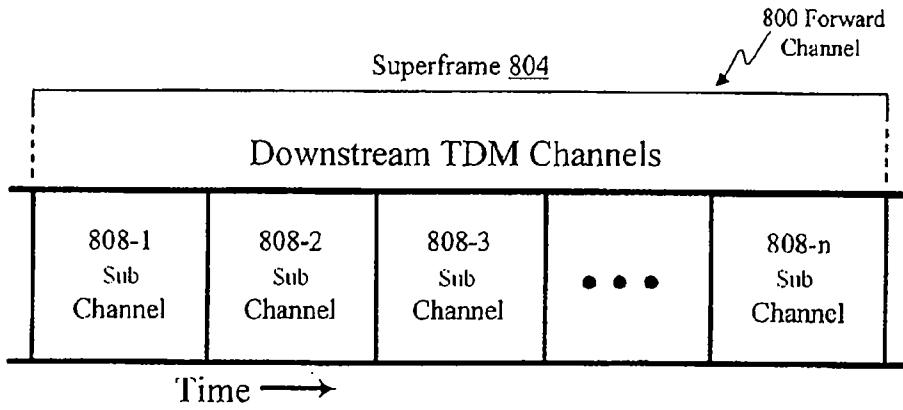


FIG. 8

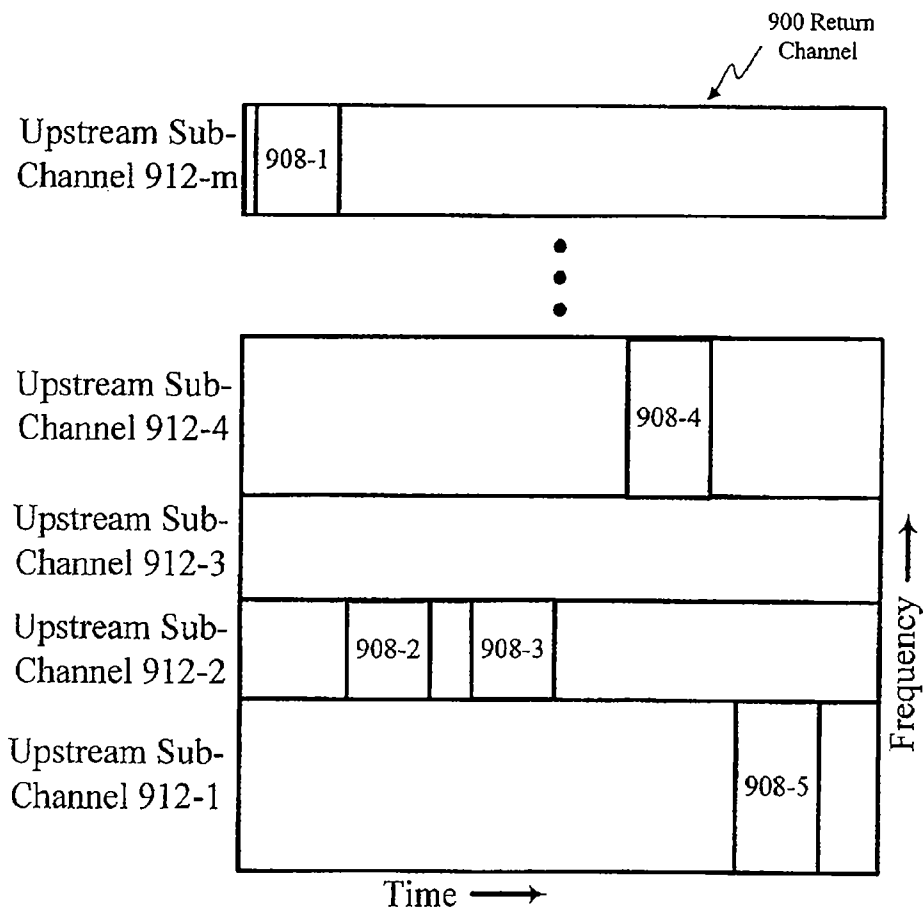


FIG. 9

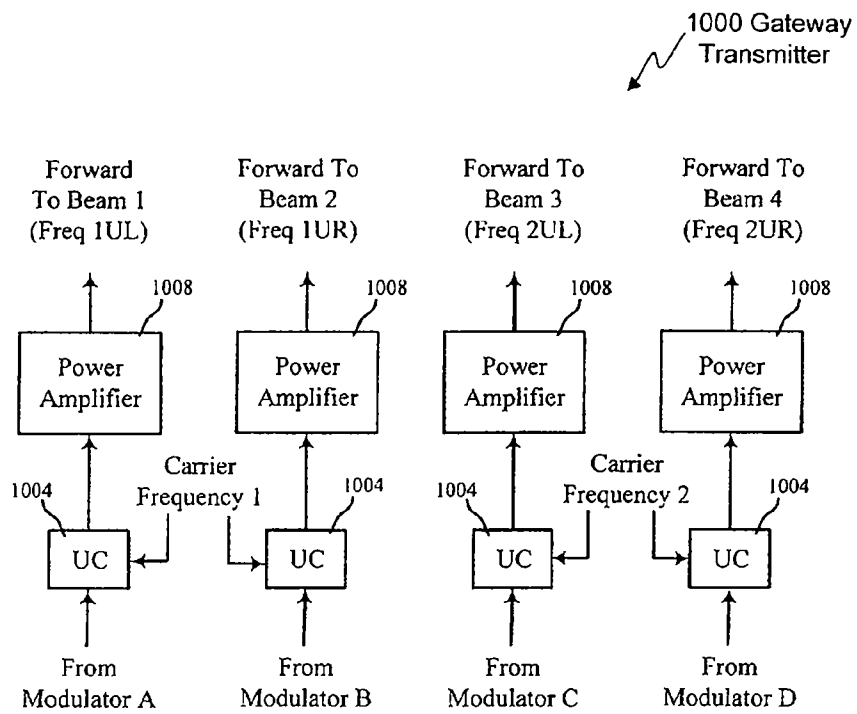


FIG. 10

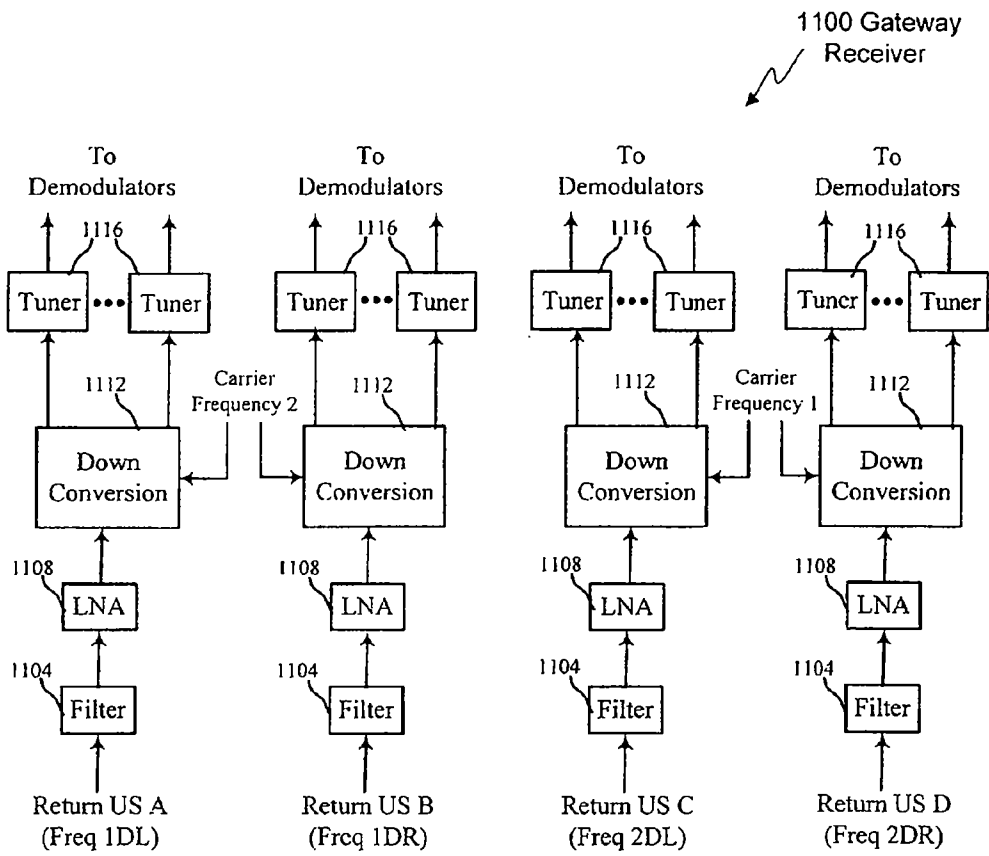


FIG. 11

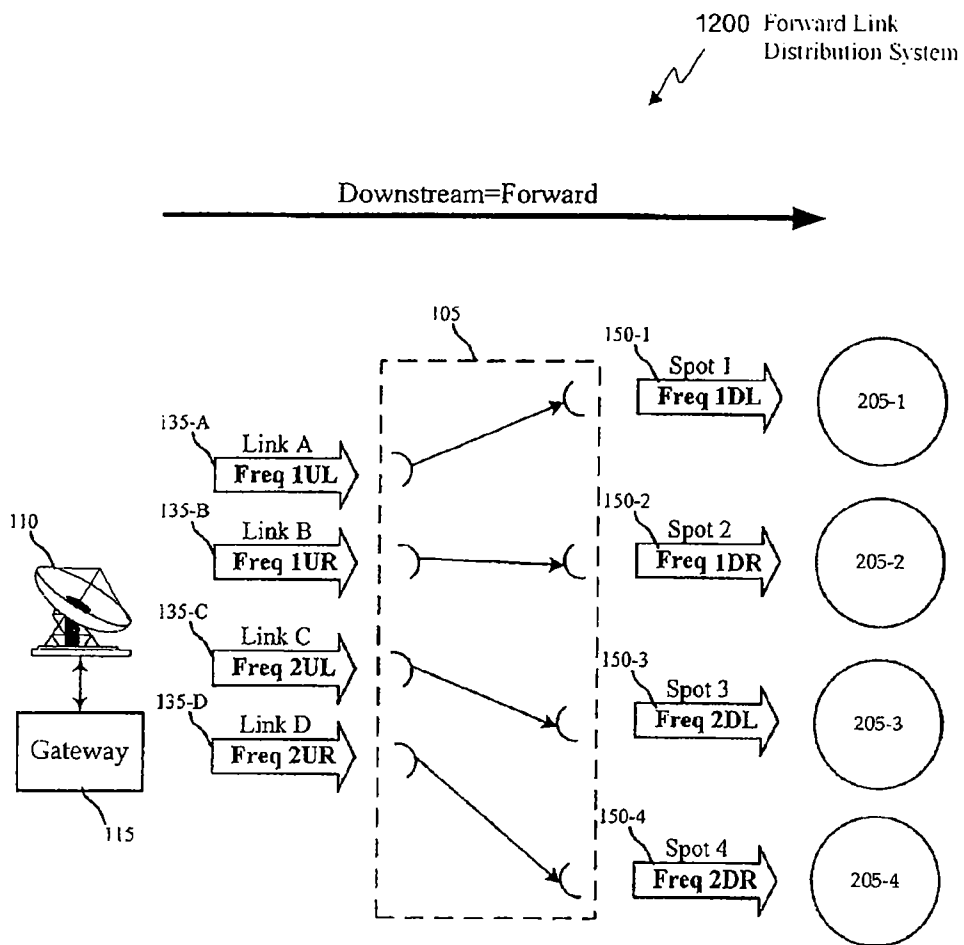


FIG. 12A

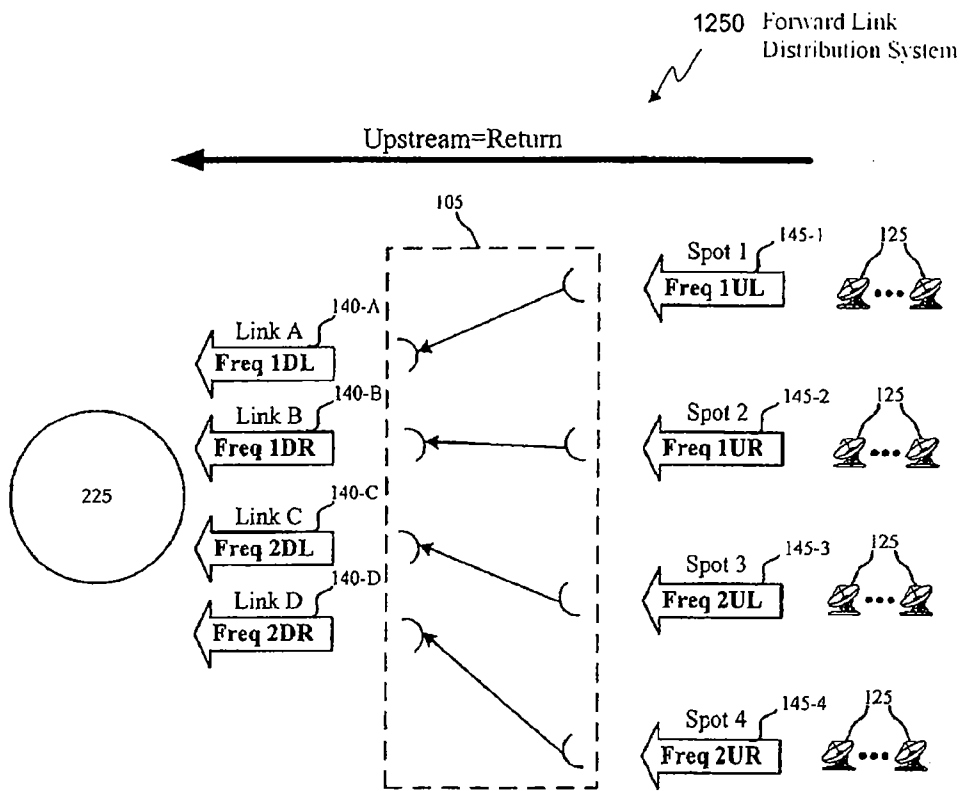


FIG. 12B

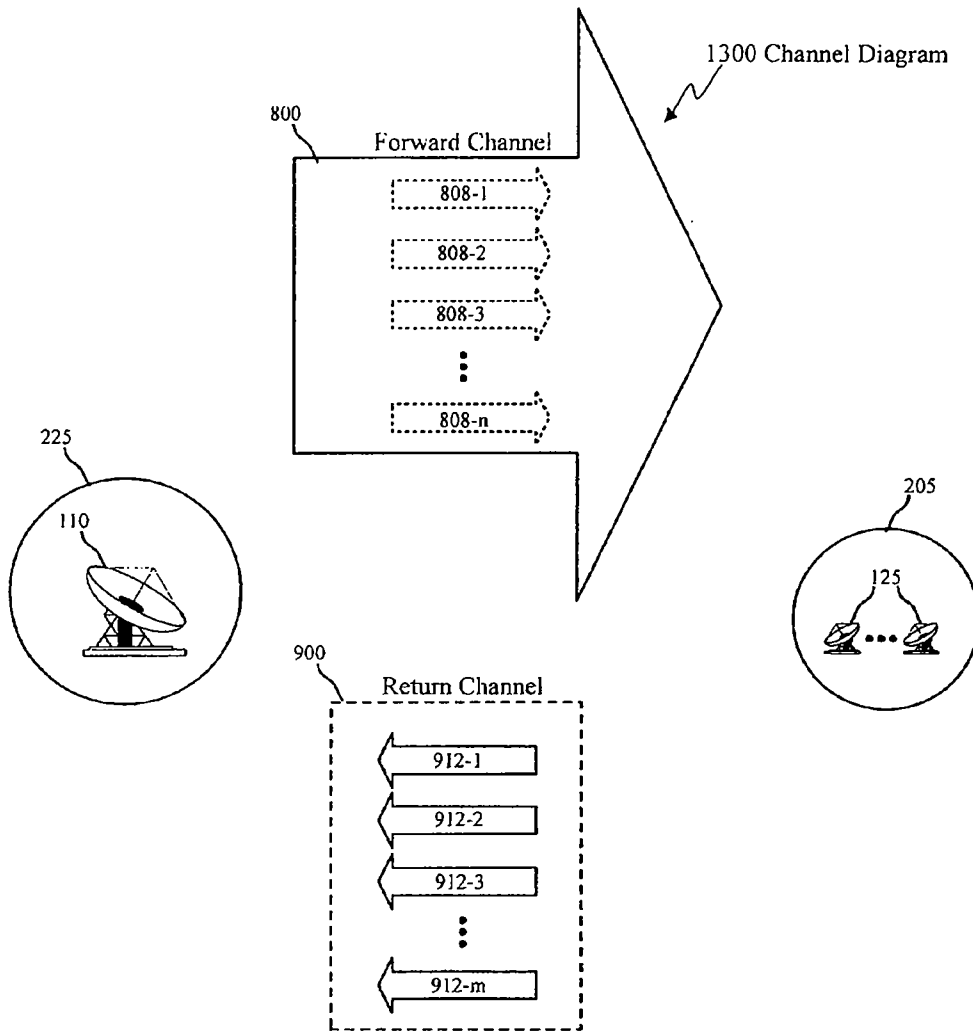
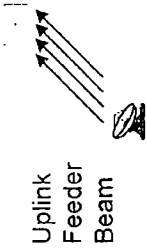
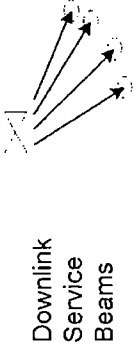
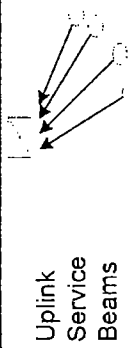



FIG. 13

400

Signal	17.7 ~ 18.2 GHz	19.7 ~ 20.2 GHz	27.5 ~ 28.0 GHz	29.5 ~ 30.0 GHz
 Uplink Feeder Beam (4002)			LHCP RHCP	LHCP RHCP
 Downlink Service Beams (4004)	LHCP* RHCP*	LHCP* RHCP*		
 Uplink Service Beams (4006)			LHCP* RHCP*	LHCP* RHCP*
 Downlink Feeder Beam (4008)	LHCP RHCP	LHCP RHCP		

* frequency/polarization options for service beams

FIG. 14

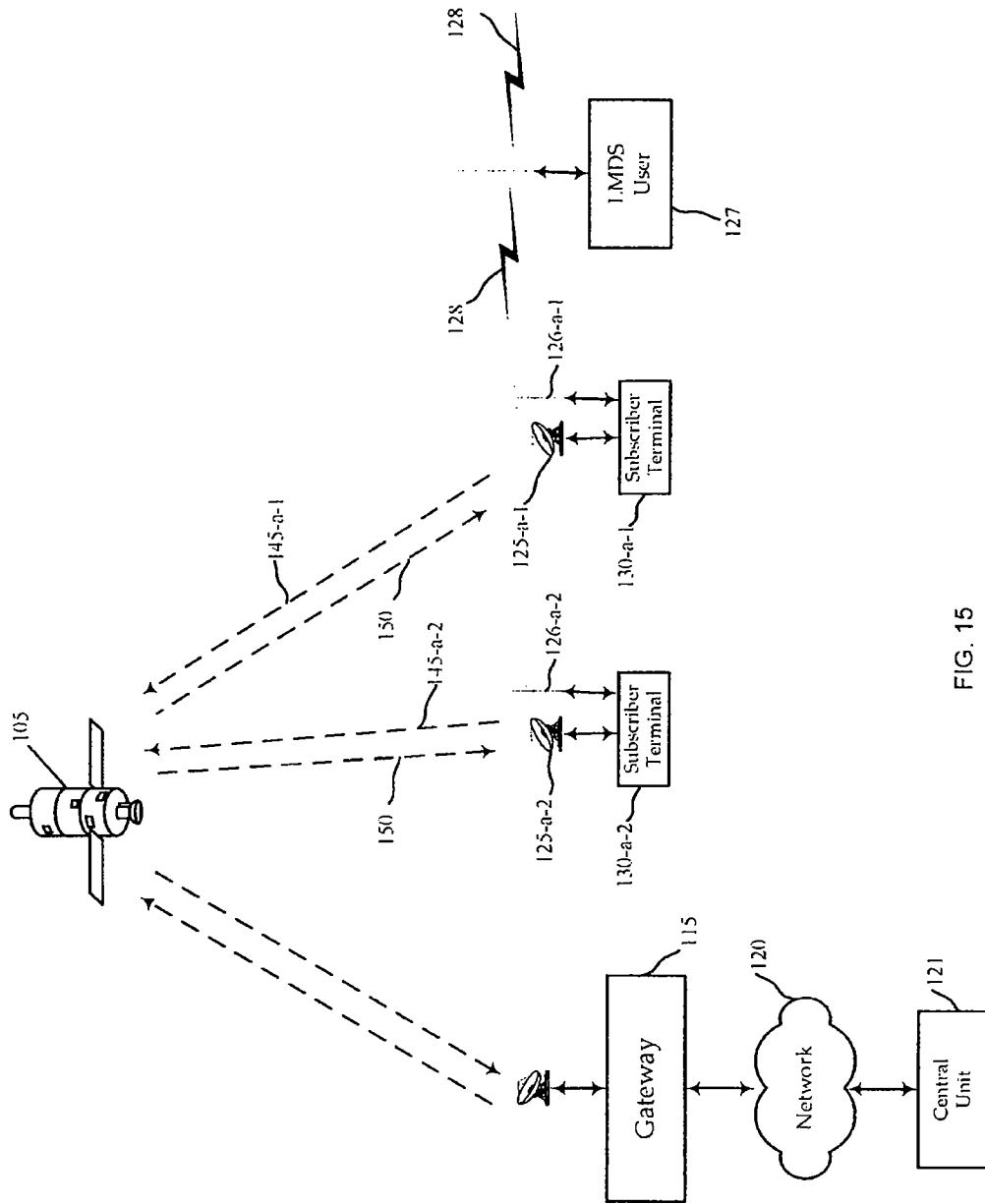


FIG. 15