

**United States Patent** [19]

**Kaye et al.**

[11] **Patent Number: Des. 292,964**

[45] **Date of Patent: \*\* Dec. 1, 1987**

[54] **SELF-ADJUSTING HASP**

[76] **Inventors: Ronald H. Kaye, R.D. #1, Fairfield, Vt. 05455; Robert H. Lumbra, R.D. #1, Fairfax, Vt. 05454**

[\*\*] **Term: 14 Years**

[21] **Appl. No.: 773,924**

[22] **Filed: Sep. 9, 1985**

[52] **U.S. Cl. .... D8/344**

[58] **Field of Search ..... D8/330-331, D8/336, 342, 344-346; 292/113, 247, 281-287, DIG. 49; 16/221, 223, 345, 352**

[56] **References Cited  
PUBLICATIONS**

Stanley Hardware catalogue #130 (Nov. 1979), p. 147, Safety Hasp. #925.

*Primary Examiner*—Wallace R. Burke  
*Assistant Examiner*—Brian N. Vinson  
*Attorney, Agent, or Firm*—Thomas N. Neiman

[57] **CLAIM**

The ornamental design for a self-adjusting hasp, as shown and described.

**DESCRIPTION**

FIG. 1 is a top plan view of a self-adjusting hasp showing our new design;  
FIG. 2 is a rear elevational view thereof;  
FIG. 3 is a front elevational view;  
FIG. 4 is a right side view thereof;  
FIG. 5 is a left side view; and  
FIG. 6 is a bottom plan view thereof.

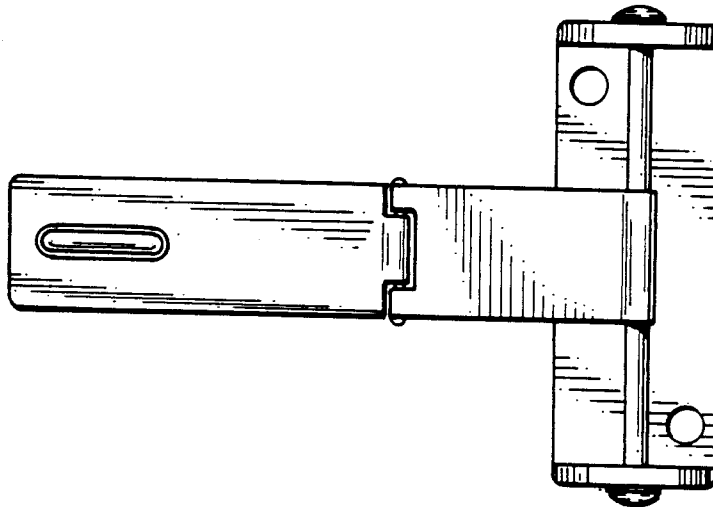


FIG. 1

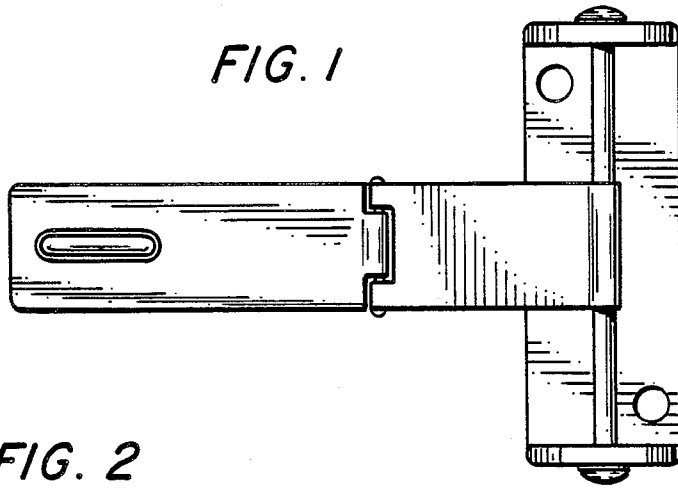


FIG. 2

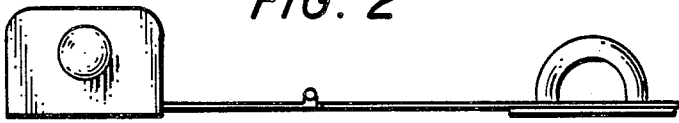


FIG. 4



FIG. 3

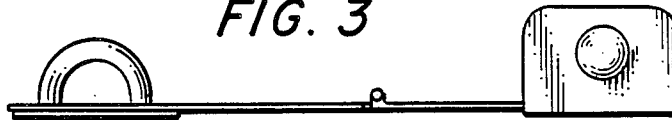


FIG. 5



FIG. 6

