



(51) International Patent Classification:  
B62J 25/00 (2006.01)

(21) International Application Number:  
PCT/IN2010/000369

(22) International Filing Date:  
3 June 2010 (03.06.2010)

(25) Filing Language: English

(26) Publication Language: English

(30) Priority Data:  
1391/CHE/2009 12 June 2009 (12.06.2009) IN

(71) Applicant (for all designated States except US): TVS MOTOR COMPANY LIMITED [IN/IN]; No. 29, Haddows Road, Chennai 600 006, Tamilnadu (IN).

(72) Inventors; and

(75) Inventors/Applicants (for US only): KRISHNA, B., Vamsi [IN/IN]; Research & Development, Tvs Motor Company Limited, "Jayalakshmi Estates", No. 24 (old No.8), Haddows Road Chennai 600 006 Tamil Nadu (IN). HEGDE, M., Mahabaleshwar [IN/IN]; Research & Development, Tvs Motor Company Limited, "Jayalakshmi Estates", No. 24 (old No.8), Haddows Road Chennai 600 006 Tamil Nadu (IN). SRIDHAR, Balaguru [IN/IN]; Research & Development, Tvs Motor Company Limited, "Jayalakshmi Estates", No. 24 (old No.8), Haddows Road Chennai 600 006 Tamil Nadu (IN). GURAVIAH, Anu-malasetty [IN/IN]; Research & Development, Tvs Motor Company Limited, "Jayalakshmi Estates", No. 24 (old No.8), Haddows Road Chennai 600 006 Tamil Nadu (IN). MARUDACHALAM, Kannan [IN/IN]; "Jayalakshmi Estates", No. 24 (old No.8), Haddows Road, Chennai 600 006, Tamil Nadu (IN).

(74) Agents: VAIDYANATHAN, Alamelu et al.; 451, 2nd Cross, 3rd Block, 3rd Stage, Basaveshwaranagar, Bangalore 560 079, Karnataka (IN).

(81) Designated States (unless otherwise indicated, for every kind of national protection available): AE, AG, AL, AM, AO, AT, AU, AZ, BA, BB, BG, BH, BR, BW, BY, BZ, CA, CH, CL, CN, CO, CR, CU, CZ, DE, DK, DM, DO, DZ, EC, EE, EG, ES, FI, GB, GD, GE, GH, GM, GT, HN, HR, HU, ID, IL, IN, IS, JP, KE, KG, KM, KN, KP, KR, KZ, LA, LC, LK, LR, LS, LT, LU, LY, MA, MD, ME, MG, MK, MN, MW, MX, MY, MZ, NA, NG, NI, NO, NZ, OM, PE, PG, PH, PL, PT, RO, RS, RU, SC, SD, SE, SG, SK, SL, SM, ST, SV, SY, TH, TJ, TM, TN, TR, TT, TZ, UA, UG, US, UZ, VC, VN, ZA, ZM, ZW.

(84) Designated States (unless otherwise indicated, for every kind of regional protection available): ARIPO (BW, GH, GM, KE, LR, LS, MW, MZ, NA, SD, SL, SZ, TZ, UG, ZM, ZW), Eurasian (AM, AZ, BY, KG, KZ, MD, RU, TJ, TM), European (AL, AT, BE, BG, CH, CY, CZ, DE, DK, EE, ES, FI, FR, GB, GR, HR, HU, IE, IS, IT, LT, LU, LV, MC, MK, MT, NL, NO, PL, PT, RO, SE, SI, SK, SM, TR), OAPI (BF, BJ, CF, CG, CI, CM, GA, GN, GQ, GW, ML, MR, NE, SN, TD, TG).

Declarations under Rule 4.17:

- as to applicant's entitlement to apply for and be granted a patent (Rule 4.17(ii))
- as to the applicant's entitlement to claim the priority of the earlier application (Rule 4.17(iii))
- of inventorship (Rule 4.17(iv))

Published:

- with international search report (Art. 21(3))
- before the expiration of the time limit for amending the claims and to be republished in the event of receipt of amendments (Rule 48.2(h))

(88) Date of publication of the international search report:  
24 February 2011

(54) Title: VIBRATION-DAMPENING ASSEMBLY

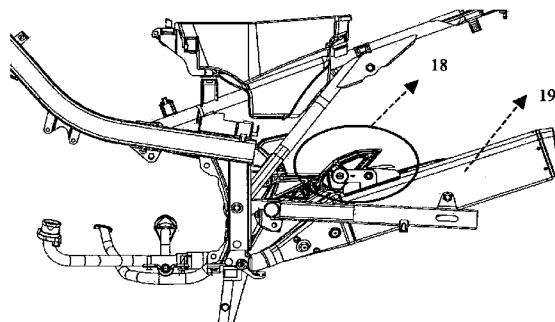


Fig.4

(57) Abstract: The present invention relates to pillion footrest assembly (15) to provide a vibration damping mechanism to reduce the vibration at the pillion footrest of a two-wheeler. The assembly consists of footrest mounting bracket (16), a damper mechanism (18), and a pillion foot peg assembly (17) wherein the pillion footrest is isolated from undesirable vibration by dampening means.



# INTERNATIONAL SEARCH REPORT

International application No  
PCT/IN2010/000369

<b>A. CLASSIFICATION OF SUBJECT MATTER</b> INV. B62J25/00 ADD.				
According to International Patent Classification (IPC) or to both national classification and IPC				
<b>B. FIELDS SEARCHED</b> Minimum documentation searched (classification system followed by classification symbols) B62J F02B				
Documentation searched other than minimum documentation to the extent that such documents are included in the fields searched				
Electronic data base consulted during the international search (name of data base and, where practical, search terms used) EPO-Internal				
<b>C. DOCUMENTS CONSIDERED TO BE RELEVANT</b>				
Category*	Citation of document, with indication, where appropriate, of the relevant passages	Relevant to claim No.		
X	JP 1 111592 A (SUZUKI MOTOR CO) 28 April 1989 (1989-04-28) * abstract; figure 3 -----	1-5,10		
X	US 6 131 427 A (WEBBER JAMES L [US] ET AL) 17 October 2000 (2000-10-17) column 3, line 1 - column 3, line 6; figures 2,3 -----	6-10		
<input type="checkbox"/> Further documents are listed in the continuation of Box C.				
<input checked="" type="checkbox"/> See patent family annex.				
* Special categories of cited documents :				
<table style="width: 100%; border: none;"> <tr> <td style="width: 50%; border: none; vertical-align: top;">                     "A" document defining the general state of the art which is not considered to be of particular relevance                      "E" earlier document but published on or after the international filing date                      "L" document which may throw doubts on priority claim(s) or which is cited to establish the publication date of another citation or other special reason (as specified)                      "O" document referring to an oral disclosure, use, exhibition or other means                      "P" document published prior to the international filing date but later than the priority date claimed                 </td> <td style="width: 50%; border: none; vertical-align: top;">                     "T" later document published after the international filing date or priority date and not in conflict with the application but cited to understand the principle or theory underlying the invention                      "X" document of particular relevance; the claimed invention cannot be considered novel or cannot be considered to involve an inventive step when the document is taken alone                      "Y" document of particular relevance; the claimed invention cannot be considered to involve an inventive step when the document is combined with one or more other such documents, such combination being obvious to a person skilled in the art.                      "&amp;" document member of the same patent family                 </td> </tr> </table>			"A" document defining the general state of the art which is not considered to be of particular relevance "E" earlier document but published on or after the international filing date "L" document which may throw doubts on priority claim(s) or which is cited to establish the publication date of another citation or other special reason (as specified) "O" document referring to an oral disclosure, use, exhibition or other means "P" document published prior to the international filing date but later than the priority date claimed	"T" later document published after the international filing date or priority date and not in conflict with the application but cited to understand the principle or theory underlying the invention "X" document of particular relevance; the claimed invention cannot be considered novel or cannot be considered to involve an inventive step when the document is taken alone "Y" document of particular relevance; the claimed invention cannot be considered to involve an inventive step when the document is combined with one or more other such documents, such combination being obvious to a person skilled in the art. "&" document member of the same patent family
"A" document defining the general state of the art which is not considered to be of particular relevance "E" earlier document but published on or after the international filing date "L" document which may throw doubts on priority claim(s) or which is cited to establish the publication date of another citation or other special reason (as specified) "O" document referring to an oral disclosure, use, exhibition or other means "P" document published prior to the international filing date but later than the priority date claimed	"T" later document published after the international filing date or priority date and not in conflict with the application but cited to understand the principle or theory underlying the invention "X" document of particular relevance; the claimed invention cannot be considered novel or cannot be considered to involve an inventive step when the document is taken alone "Y" document of particular relevance; the claimed invention cannot be considered to involve an inventive step when the document is combined with one or more other such documents, such combination being obvious to a person skilled in the art. "&" document member of the same patent family			
Date of the actual completion of the international search  <p style="text-align: center; font-size: 1.2em;">14 December 2010</p>	Date of mailing of the international search report  <p style="text-align: center; font-size: 1.2em;">23/12/2010</p>			
Name and mailing address of the ISA/ European Patent Office, P.B. 5818 Patentlaan 2 NL - 2280 HV Rijswijk Tel. (+31-70) 340-2040, Fax: (+31-70) 340-3016	Authorized officer  <p style="text-align: center; font-size: 1.2em;">Feber, Laurent</p>			

# INTERNATIONAL SEARCH REPORT

Information on patent family members

International application No

PCT/IN2010/000369

Patent document cited in search report		Publication date		Patent family member(s)	Publication date
JP 1111592	A	28-04-1989	JP	2687126 B2	08-12-1997
US 6131427	A	17-10-2000	NONE		