



US00D324474S

United States Patent [19]

[11] Patent Number: **Des. 324,474**

Killins

[45] Date of Patent: **** Mar. 10, 1992**

[54] GYPSUM BOARD INSTALLATION TOOL

1,356,431 10/1920 Eddy .

[76] Inventor: **Richard M. Killins**, 3098 Arkansas Rd., West Monroe, La. 71291

1,663,848 3/1928 Koske .

2,802,259 8/1957 Stoner .

4,270,416 6/1981 Thompson 30/339 X

[**] Term: **14 Years**

Primary Examiner—Nelson C. Holtje

[21] Appl. No.: **112,139**

Assistant Examiner—Monica Hannon

[22] Filed: **Oct. 23, 1987**

Attorney, Agent, or Firm—Fleit, Jacobson, Cohn, Price, Holman & Stern

[52] U.S. Cl. **D8/88**

[58] Field of Search **D8/88, 51, 14; 30/339**

[57] CLAIM

[56] References Cited

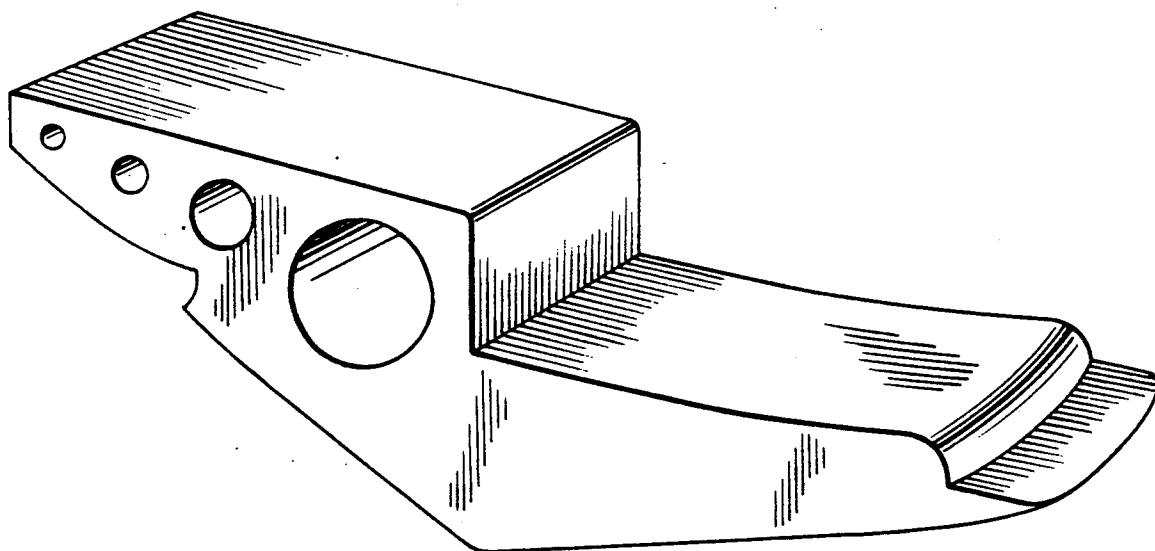
The ornamental design for a gypsum board installation tool, as shown.

U.S. PATENT DOCUMENTS

DESCRIPTION

- D. 53,352 5/1919 Brace .
- D. 135,574 4/1943 Feldbin .
- D. 226,057 1/1973 Grindlinger D8/88
- D. 230,130 1/1974 Greaves D8/51
- D. 242,980 1/1977 Fuller .
- D. 282,712 2/1986 Rademacher D8/51 X
- D. 288,402 2/1987 Bonbright D8/14
- 1,222,780 4/1917 McElroy .

FIG. 1 is a front perspective view of a gypsum board installation tool showing my new design;
 FIG. 2 is a rear elevational view thereof;
 FIG. 3 is a top plan view thereof;
 FIG. 4 is a bottom plan view thereof;
 FIG. 5 is a left end view thereof; and
 FIG. 6 is a right end view thereof.



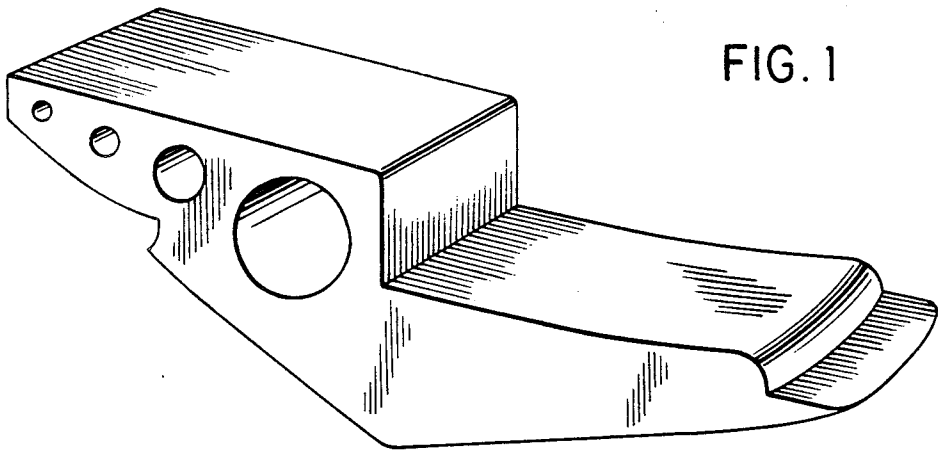


FIG. 1

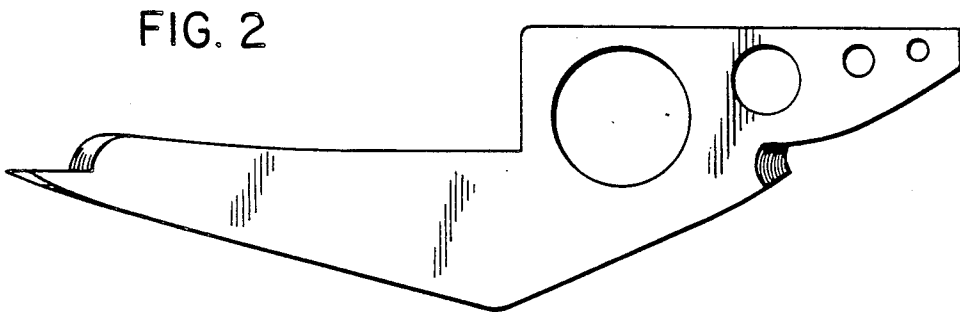


FIG. 2

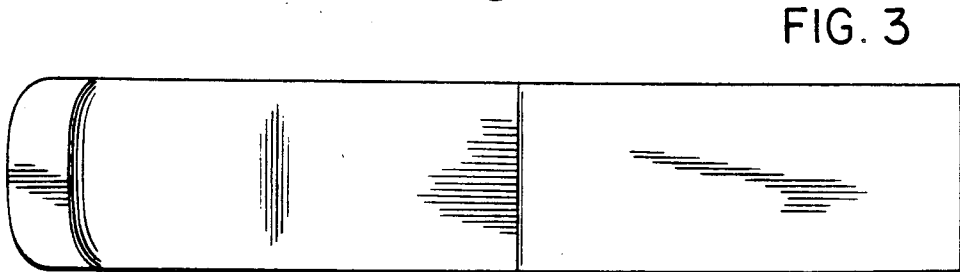


FIG. 3

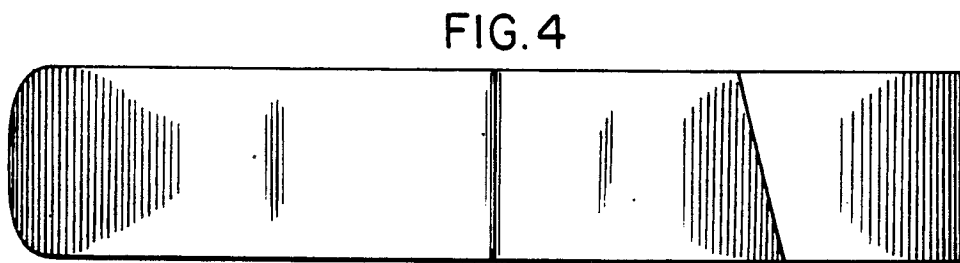


FIG. 4

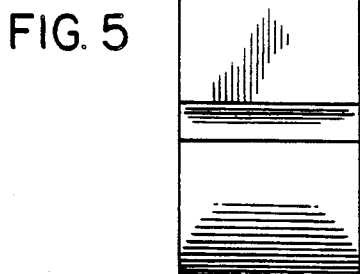


FIG. 5

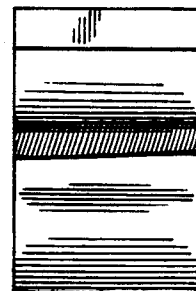


FIG. 6