



(51) International Patent Classification:

G01R 33/28 (2006.01) A61B 5/055 (2006.01)
G01R 33/31 (2006.01) G01K 7/00 (2006.01)
A61B 5/00 (2006.01)

(21) International Application Number:

PCT/IB2015/052351

(22) International Filing Date:

31 March 2015 (31.03.2015)

(25) Filing Language:

English

(26) Publication Language:

English

(30) Priority Data:

61/979,539 15 April 2014 (15.04.2014) US

(71) Applicant: **KONINKLIJKE PHILIPS N.V.** [NL/NL];
High Tech Campus 5, NL-5656 AE Eindhoven (NL).

(72) Inventor: **O'NEILL, Francis Patrick**; c/o High Tech
Campus, Building 5, NL-5656 AE Eindhoven (NL).

(74) Agent: **VERWEIJ, Petronella Danielle**; High Tech Cam-
pus, Building 5, NL-5656 AE Eindhoven (NL).

(81) Designated States (unless otherwise indicated, for every
kind of national protection available): AE, AG, AL, AM,
AO, AT, AU, AZ, BA, BB, BG, BH, BN, BR, BW, BY,
BZ, CA, CH, CL, CN, CO, CR, CU, CZ, DE, DK, DM,

DO, DZ, EC, EE, EG, ES, FI, GB, GD, GE, GH, GM, GT,
HN, HR, HU, ID, IL, IN, IR, IS, JP, KE, KG, KN, KP, KR,
KZ, LA, LC, LK, LR, LS, LU, LY, MA, MD, ME, MG,
MK, MN, MW, MX, MY, MZ, NA, NG, NI, NO, NZ, OM,
PA, PE, PG, PH, PL, PT, QA, RO, RS, RU, RW, SA, SC,
SD, SE, SG, SK, SL, SM, ST, SV, SY, TH, TJ, TM, TN,
TR, TT, TZ, UA, UG, US, UZ, VC, VN, ZA, ZM, ZW.

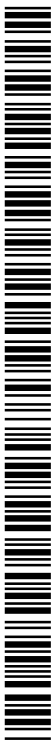
(84) Designated States (unless otherwise indicated, for every
kind of regional protection available): ARIPO (BW, GH,
GM, KE, LR, LS, MW, MZ, NA, RW, SD, SL, ST, SZ,
TZ, UG, ZM, ZW), Eurasian (AM, AZ, BY, KG, KZ, RU,
TJ, TM), European (AL, AT, BE, BG, CH, CY, CZ, DE,
DK, EE, ES, FI, FR, GB, GR, HR, HU, IE, IS, IT, LT, LU,
LV, MC, MK, MT, NL, NO, PL, PT, RO, RS, SE, SI, SK,
SM, TR), OAPI (BF, BJ, CF, CG, CI, CM, GA, GN, GQ,
GW, KM, ML, MR, NE, SN, TD, TG).

Declarations under Rule 4.17:

- as to applicant's entitlement to apply for and be granted a patent (Rule 4.17(ii))
- as to the applicant's entitlement to claim the priority of the earlier application (Rule 4.17(iii))

Published:

- with international search report (Art. 21(3))



WO 2015/159171 A1

(54) Title: **LOW COST MAGNETIC RESONANCE SAFE PROBE FOR TEMPERATURE MEASUREMENT**

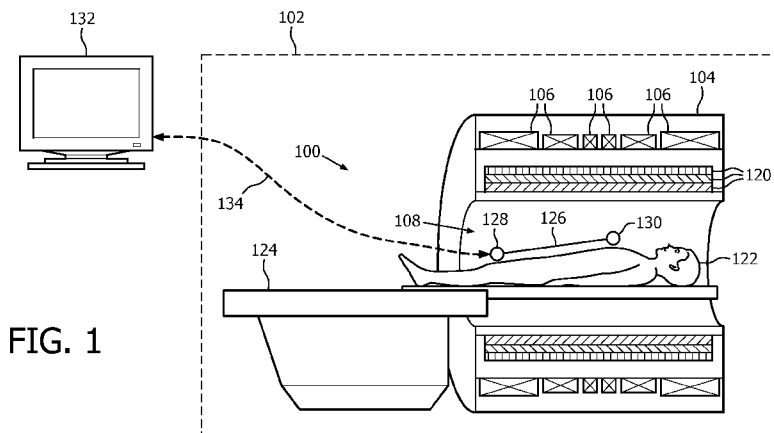


FIG. 1

(57) Abstract: A temperature measurement probe (130) for use in a magnetic resonance environment, includes an elongated substrate (202), at least one highly resistive, electrically conductive traces (200, 200a, 200b, 200a', 200b') one printed at least one thermistor (204) disposed on the substrate and electrically connected with the trace. The thermistor is configured to be placed in thermal communication with a patient in the magnetic resonance environment. In some embodiments, the printed trace may be carbon-based, silicone based, or may be a doped semiconductor material.

LOW COST MAGNETIC RESONANCE SAFE PROBE FOR TEMPERATURE
MEASUREMENT

The following relates generally to a temperature monitoring apparatus and method that can operate in a magnetic resonance (MR) environment. It finds particular application in conjunction with low cost, high resistance non-magnetic printed traces, which operate near a magnetic resonance imaging scanner, and will be described with particular reference thereto. However, it will be understood that it also finds application in other usage scenarios and is not necessarily limited to the aforementioned application.

Temperature monitoring devices need to be used in MR environments to monitor the condition of the patient. Current accepted methods include the use of a fiber optic probe. A fiber optic cable is connected to the sensing element on the patient, and to the patient monitoring device. However, these fiber optic cables are expensive, can be mechanically delicate, and may suffer from errors as a result of atomic level changes in the sensor material due to strong magnetic fields. The use of a standard thermistor in an MR environment would require the use of a distributed or discrete high-resistance cable to connect the sensor to the monitor to overcome the RF heating effects and burn hazards associated with the MR environment. These high resistance cables are expensive and do not fully eliminate the burn hazard to patients. In addition, these cables are difficult to manufacture, are susceptible to triboelectric effects, suffer from inductive pickup, excessive parasitic capacitance, and are hyper sensitive to patient movement. For example, ferromagnetic content used in the construction of the temperature-monitoring device may cause the cable to be drawn into the MRI scanner causing damage to the patients, users, or causing the equipment to act as a projectile. Additionally, the radio frequency field produced by the MRI scanner may generate currents in a standard cable using a standard thermistor, or cause "hot-spots" that may increase surface temperatures enough to exceed those allowed by regulatory standards and pose discomfort or a burn hazard to the patient. Further, the MRI gradient interference from the MR scanner can also induce currents on standard cables and thermistors and on the connection points producing an additive interference waveform component that potentially gives a false temperature reading.

The present application discloses a new and improved temperature-monitoring device for use in an MR environment, which addresses the above referred issues, and others.

According to one aspect, a temperature measurement probe for use in a magnetic resonance environment, is disclosed. The printed conductor includes an elongated substrate, at least one highly resistance, electrically conductive trace printed on the substrate, and at least one thermistor disposed on the substrate and electrically connected with the trace, the thermistors configured to be placed in thermal communication with a patient in the magnetic resonance environment.

According to another aspect, a magnetic resonance system is disclosed. The system includes a magnetic resonance scanner and a temperature measurement probe as set forth in the proceeding paragraphs, the temperature measurement probe being disposed in an examination region of the magnetic resonance scanner.

According to another aspect, a method for monitoring patient temperature readings during an MRI is disclosed. The method includes printing a highly resistive, electrically conductive trace on an elongated substrate and electrically connecting at least one thermistor disposed on the substrate with the trace.

Another advantage resides in the elimination of ferromagnetic content.

Another advantage resides in the reduction of patient burn risks.

Another advantage resides in ability to disinfect the thermistor probe.

Another advantage resides in improved patient care.

Still further advantages will be appreciated to those of ordinary skill in the art upon reading and understanding the following detailed description.

The invention may take form in various components and arrangements of components, and in various steps and arrangement of steps. The drawings are only for purposes of illustrating the preferred embodiments and are not to be construed as limiting the invention.

FIGURE 1 diagrammatically shows a magnetic resonance (MR) system with a temperature monitoring apparatus operating inside the MR scanner.

FIGURE 2a is a cross-sectional view diagrammatically showing a substrate with a printed trace with applicable thermistors.

FIGURE 2b is a side view in partial section diagrammatically showing a temperature sensing thermistor and a reference element on opposite faces of a substrate.

FIGURE 2c is a top view diagrammatically showing two printed traces with a temperature sensing thermistor and reference element on a common surface of a substrate.

FIGURE 2d is illustrative of a circuit for converting the thermistor output to temperature.

FIGURE 3 diagrammatically shows a printed trace and thermistor temperature measurement device in a protective housing or catheter shown in section.

5 FIGURE 4 diagrammatically shows a plurality of temperature sensors disposed on a common substrate with tear lines in the elongated substrate that enable placement of the sensors at a plurality of locations.

FIGURE 5 illustrates a method for monitoring patient temperature readings during a MRI using the printed conductor disclosed herein.

10 With reference to FIGURE 1, a magnetic resonance environment includes a magnetic resonance (MR) scanner **100** disposed in a radio frequency isolation room **102** (diagrammatically indicated by a dashed box surrounding the MR scanner **100**). For example, a wire mesh or foil define a Faraday cage or other radio frequency screening structures embedded in or disposed on the walls, ceiling, and floor of the MR room containing the MR
15 scanner **100**. The MR scanner **100** is shown in diagrammatic side-sectional view in FIGURE 1, and includes a housing **104** containing a main magnet windings **106** (typically superconducting and contained in suitable cryogenic containment, not shown, although a resistive magnet windings are also contemplated) that generate a static (B_0) magnetic field in a bore **108** or other examination region. The housing **104** also contains magnetic field
20 gradient coils **120** for superimposing magnetic field gradients on the static (B_0) magnetic field. Such gradients have numerous applications as is known in the art, such as spatially encoding magnetic resonance, spoiling magnetic resonance, and so forth. An imaging subject, such as an illustrative patient **122**, or an animal (for veterinary imaging applications), or so forth is loaded into the examination region (inside the bore **108** in the illustrative case) via a
25 suitable couch **124** or other patient support/transport apparatus. The MR scanner may include numerous additional components known in the art, which are not shown for simplicity, such as magnetic field shims, a whole body radio frequency (RF) coil disposed in the housing 104, and so forth. The MR scanner also typically includes numerous auxiliary or ancillary components again not shown for simplicity, such as power supplies for the main magnet **106**
30 and the magnetic field gradient coils **120**, local RF coils (e.g. surface coils, a head coil or limb coil, or so forth), RF transmitter and RF reception hardware, and various control and image reconstruction systems, by way of some examples. Moreover, it is to be understood that the illustrative MR scanner **100**, which is a horizontal bore type scanner, is merely an illustrative example and that more generally the disclosed MR safe cables and electrodes are

suitably employed in conjunction with any type of MR scanner (e.g., a vertical bore scanner, open-bore scanner, or so forth).

In operation, the main magnet **106** operates to generate a static B_0 magnetic field in the examination region **108**. RF pulses are generated by the RF system (including for example a transmitter and one or more RF coils disposed in the bore or a whole-body RF coil in the housing **104**) at the Larmor frequency (i.e., magnetic resonance frequency) for the species to be excited (usually protons, although other species may be excited, e.g. in MR spectroscopy or multinuclear MR imaging applications). These pulses excite nuclear magnetic resonance (NMR) in the target species (e.g., protons) in the subject **122**, which are detected by a suitable RF detection system (e.g., a magnetic resonance coil or coils and suitable receiver electronics). Magnetic field gradients are typically applied by the gradient coils **120** before or during excitation, during a delay period (e.g., time to echo or TE) period prior to readout, and/or during readout in order to spatially encode the NMR signals. An image reconstruction processor applies a suitable reconstruction algorithm comporting with the chosen spatial encoding in order to generate a magnetic resonance image, which may then be displayed, rendered, fused or contrasted with other MR images and/or images from other modalities, or otherwise utilized.

With continuing reference to FIGURE 1 and further reference to FIGURES 2a-2c, as part of or ancillary to the MR procedure, temperature measurements are acquired using a temperature measurement probe **130**. In illustrative FIGURE 1, a printed conductor for temperature measurement probe **130** is displayed on the patient **122** and in connection with a monitor **132** (located outside or optionally inside) the MR chamber **102**. The temperature-measurement probe **130** may have sufficiently low power consumption that the temperature function may be integrated into a battery powered control and processing circuit **128** that communicates wirelessly **134** (showing as a dashed line from the battery powered control and processing circuit to the monitor) with the monitor **132**. The temperature measurement probe **130** with a conductive trace printed cable **126** and the battery powered control and processing circuit **128** may record surface or invasive temperature measurements of the patient **122**. The conductive trace printed cable **126** may further be integrated into other cables particularly for surface use.

Further reference to FIGURES 2a -2c a controlled resistance printed electrical trace or conductive trace, **200** is printed on a flexible, MR neutral substrate **202** to form the planar lead cable **126** between a thermistor **204** on the patient **122** and the sensing monitor **128**. The substrate **202** may be any flexible magnetic resonance inert planar material such as

a polymer resin-based film or Mylar. The substrate **202** material is selected so that Proton emissions do not degrade the MR image. In various embodiments, the conductive trace **200** is formed of carbon-based ink. The conductive trace **200** may optionally be silicon based or may be made from a doped semiconductor material. Further, the printed conductive traces **200** and thermistors **204** should be non-ferromagnetic to inhibit distortion of magnetic fields and to inhibit the magnetic field and gradient from adversely affecting the probe.

With continuing reference to FIGURE 2a-2c, the conductive trace **200** is configured to inhibit eddy current from forming in the trace and causing resistive heating. The traces can be of high resistance and can include slots or other constructs that inhibit eddy current loops. Connection probes are printed or applied at the thermistor end of the trace and a control and processing circuit to facilitate connection to the thermistor **204** and the control and processing circuit **128**. In other embodiments, the conductive printed trace may be solid or may contain features such as cross-hatching to inhibit eddy current generation in the conductive printed trace. The cross-hatching **206** in the trace **204** improves functional performance by reducing the induction of interference currents in the electrode and resistive traces from the RF and gradient magnetic fields. By printing the conductive trace and the thermistor lead connections of the temperature probe **130**, repeatability, and reproducibility of the lead-wire characteristics, routing is facilitated.

The thermistor **204** is a high resistance thermistor preferably on the order of 10,000 k Ohms, tuned to respond linearly in the range of human body temperatures with the low cost. The printed conductive trace **200** resistance can be in the order of 8-10 k Ohms per foot, which may be achieved by printing with a conductive ink in the order of 10 ohms per square. The printed conductive trace resistance can be laser trimmed to achieve a desired target resistance to narrow the traces or by forming eddy current inhibiting longitudinal slots. The thermistor **204** may be attached by surface mount leads or attached used conductive leads.

In the embodiment, illustrated in FIGURE 2b-c, temperature sensitive thermistor **204** and a reference resistor or thermistor **208** are connected in loops with printed input and output traces **200a**, **200b**, which are printed on opposite faces of the substrate **202**. One of the thermistors is applied to the patient and the reference element is thermally isolated from the patient or is selected to have stable resistance across the temperature range of interest. In this manner, the temperature sensing element signal is indicative of temperature with RF field induced currents to and the reference element signal is indicative of RF field

induced currents which allow for elimination of RF field induced currents by using a common mode filter.

In other embodiments, the resistance may be evenly or unevenly distributed along the printed conductive cable trace **200**. Uneven distribution can be achieved by varying the width and or thickness of the printing pattern. Notch or low pass filtered integrated circuit components, antenna circuits, power supplies, sensors (piezo, MEMS, accelerometers) may be optionally incorporated into the printed conductive cable trace **200**.

In another embodiment illustrated in Figure 2c, a circuit is formed by the temperature sensing thermistor **204**, and the reference elements **208**, e.g. a reference resistor, two input traces **200a**, **200b**, two return traces **200b**, **200b'** connected to the two input traces **200a**, **200b** (connection not shown) disposed on a common face of the substrate **202** and the processing and control circuit **128**.

With reference to FIGURE 2d, the resistance of a thermistor changes with temperature. The process and controlled circuit **128** translates the currents through or voltages across the thermistors into temperature values for transmission to the monitor **132**. The circuit includes a battery **250** or other power supply outside of the MR environment. A filter **252** corrects for noise in the thermistor signals, e.g., by subtracting the noise signal from the reference element **200** from the noisy temperature signal from the temperature measuring thermistor **204**. A control or processor **254** converts the temperature into a temperature, e.g. using a look-up table stored in an EPROM **256**. The look-up table can further compensate for variations from one temperate sensor to the next. An RF transmitter **258** transmits the determined temperature value to an RF receiver connected with the monitor **132**. It is to be appreciated that the filtering and the conversion to temperature can, in full or in part, be performed at the monitor **132**.

In various embodiments, the printed conductive traces **200** are suitably formed of carbon-based ink with specific electrical resistance applied to the planar flexible substrate with predefined electrical resistance applied to the planar flexible substrate **202** to achieve the desired resistance and thermal characteristics. The printed conductive traces **200** may be applied by any reproductive method such as by screen-printing. The printed conductive traces **200** may be solid or may contain features such as hatching, longitudinal slots, or the like.

With reference to FIGURE 3, a side sectional view of the temperature measurement probe is displayed. A protective jacket **300** covers the probe and can provide electrical insulation and protection. The protective layer **300** is preferably electrically insulating compared with the material of the printed conductive traces **200**, and non-

ferromagnetic and MR compatible. For one-time use probes the protective layer is ideally a material that is low cost and sterilisable. The sterilisable protective jacket allows the probe to be inserted into the patient during an MR to provide internal temperature measurement to further protect from injury to the patient. The protective layer **300** can have a foam insulating layer to insulate the circuit from induction of interference currents in the electrode and resistive traces from static and gradient magnetic fields. Again, a reference resistor or thermistor **208** may be added to create the common mode signal for subtraction from the patient temperature measuring thermistor **204** to compensate for the common mode. The housing **300** can be part of a catheter that is configured for other functions.

With reference to FIGURE 4, the temperature measurement probe **130** may include a plurality of printed traces on one face of the elongated substrate **202**, a plurality of return traces (not shown) on an opposite face, a plurality of thermistors **204a**, **204b**, **204c**, and a plurality of reference elements **208a**, **208b**, **208c**. In some embodiments, connection pads **220**, e.g. silver chloride, are printed on the traces to facilitate connection to the thermistor, the reference element, and the circuit. Tear lines **210a**, **210b**, are defined in the elongated substrate **202**. The tear lines **210a**, **210b** in the substrate **202** allow the printed traces **200a**, **200b**, **200c** to be separable to accommodate multi-site sensing on various patient body types.

With reference to FIGURE 5, initially, the substrate is cut to size and the conductive traces and the connection pads are printed on the substrate. The thermistor **204**, the reference element **208**, and the circuit **128** are connected to the connection pads. To avoid burns or other injury to patient during an MR, the temperature of the probe is monitored during operation. In a step **400**, the printed conductor for temperature measurement probe **130** is attached to the patient **122**. The printed conductor **126** of temperature measurement probe **130** is connected to a patient monitor **132** either wirelessly **134** or through a wired connection. Upon activation of the MR system **100**, in a step **402**, the probe receives a noise on the printed trace **200** created by the MR system **100**. The probe **130** preferably contains a reference element **208**, e.g. a reference resistor or a reference thermistor. In a step **404**, a current is sent through the thermistor **204** and the reference element **208**. In a step **406**, the currents flowing through the thermistor **204** and the reference element **208** are determined and compared. The current through the thermistor is indicative of the MR induced noise and temperature. The current through the reference resistor is indicative of MR induced noise. The comparison of the current flowing through the reference element **208** and the thermistor **204** allows the current or signal from the thermistor **204** to be corrected for noise. In a step

408, the corrected temperature signal is converted to a temperature, e.g. with a look-up table. In a step 410, the temperature is communicated to and displayed on the monitor 132, e.g. by RF transmission lines.

The invention has been described with reference to the preferred embodiments.

- 5 Obviously, modifications and alterations will occur to others upon reading and understanding the proceeding detailed description. It is intended that the invention be construed as including all such modifications and alterations insofar as they come within the scope of the appended claims or the equivalents thereof.

CLAIMS:

1. A temperature measurement probe (130) for use in a magnetic resonance environment comprising:
 - an elongated substrate (202);
 - at least one highly resistance, electrically conductive trace (200, 200a, 200b, 200a', 200b') printed on the substrate;
 - at least one thermistor (204) disposed on the substrate and electrically connected with the trace, the thermistor configured to be placed in thermal communication with a patient in the magnetic resonance environment.
2. The temperature measurement probe (130) according to claim 1, wherein the trace (200, 200a, 200b, 200a', 200b') is screen printed with a high resistive conductive ink.
3. The temperature measurement probe (130) according to either one of claims 1-2, wherein the trace (200, 200a, 200b, 200a', 200b') is trimmed to achieve a desired target resistance.
4. The temperature measurement probe (130) according to any one of claims 1-3, wherein the trace (200) is carbon-based.
5. The temperature measurement probe (130) according to any one of claims 1-3, wherein the trace (200) includes doped semiconductor material.
6. The temperature measurement probe (130) according to anyone of claims 1-5, wherein the at least one highly resistive, electrically conductive trace resistance is on in the order of 8-10 k Ohms per foot, preferably printed with a conductive ink in the order of 10 ohms per square.

7. The temperature measurement probe (130) according to any one of claims 1-6, further including:
 - a plurality of high resistance traces (200);
 - at least one of a reference element (208) connected with the highly resistive trace (200);
 - a processor and control circuit (128) electrically connected with the traces, the processor and control circuit being configured to connect signal
8. The temperature measurement probe (130) according to any one of claims 1-7, wherein the at least one of a reference element (208) includes a resistor (204b) or thermistor (204a).
9. The temperature measurement probe (130) according to anyone of claims 1-8, wherein the trace (200) is etched in a cross-hatch (206).
10. The temperature measurement probe (130) according to anyone of claims 1-9, further wherein the at least one trace includes an input trace which provides electric power to the thermistor on a return trace.
11. The temperature measurement probe (130) according to anyone of claims 1-10, wherein the wherein the signal and return traces are disposed on opposite faces of the substrate.
12. The temperature measurement probe (130) according to anyone of claims 1-10, wherein the signal and return traces are disposed on a common face of the substrate.
13. The temperature measurement probe (130) according to any one of claims 1-12, further including:
 - a plurality of printed traces (200) on the elongated substrate (202);
 - a plurality of thermistors (204) disposed on the plurality of printed traces (200);
 - tear lines (210) in the elongated substrate (202) such that the printed traces (200) are separable to accommodate multi-site sensing on various patient body shapes.
14. The temperature measurement probe (130) according to anyone of claims 1-13, further including:

a sterilisable protective jacket (300).

15. The thermistor and reference resistor (220) of claims 1-14, further including: connection pads formed on the traces configured for electrical connection with the thermistor (204).

16. A magnetic resonance system, comprising:
a magnetic resonance scanner (100); and
the temperature measurement probe (130) according to any one of claims 1-15, wherein the thermistor (204) and at least a portion of the substrate (202) and the at least one trace is disposed in an examination region of the magnetic resonance scanner.

17. A method for monitoring temperature in a magnetic resonance environment comprising:
printing a highly resistive, electrically conductive trace (200) on an elongated substrate (202);
electrically connect at least one patient temperature measuring thermistor (204) to the trace (200).

18. The method according to claim 17, further including:
printing an additional trace (200) on the elongated substrate (202);
connecting a reference element (208) for sensing a common mode signal for subtraction from a signal from the patient temperature measuring thermistor to the additional trace; and
applying the thermistor (204) and the reference element (208) to the patient.

19. The method according to either one of claims 17-18, wherein the signal on trace from thermistor (204) includes noise and temperature information, and the signal on trace from reference element includes the noise and further including:
processing the signals from the thermistor and the reference element to correct the thermistor signal for the noise; (406); and
convert corrected thermistor signal to a temperature value (408).

20. The method according to claim 19, further including:

conveying the temperature value to a monitor and displaying the temperature value on the monitor (410).

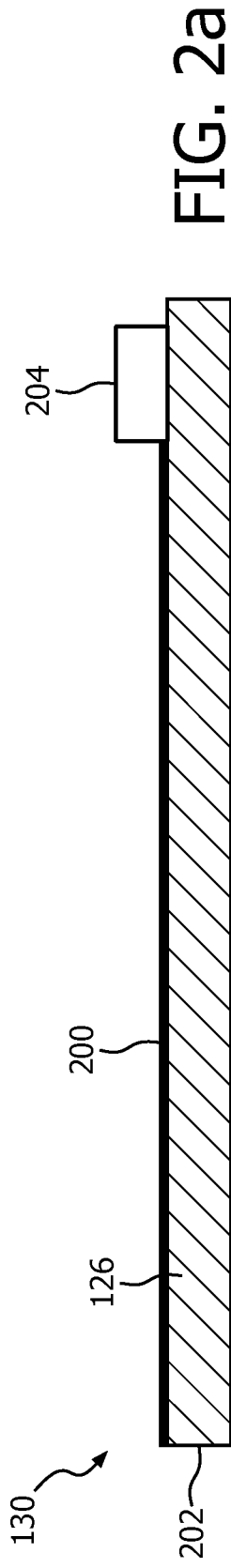


FIG. 2a

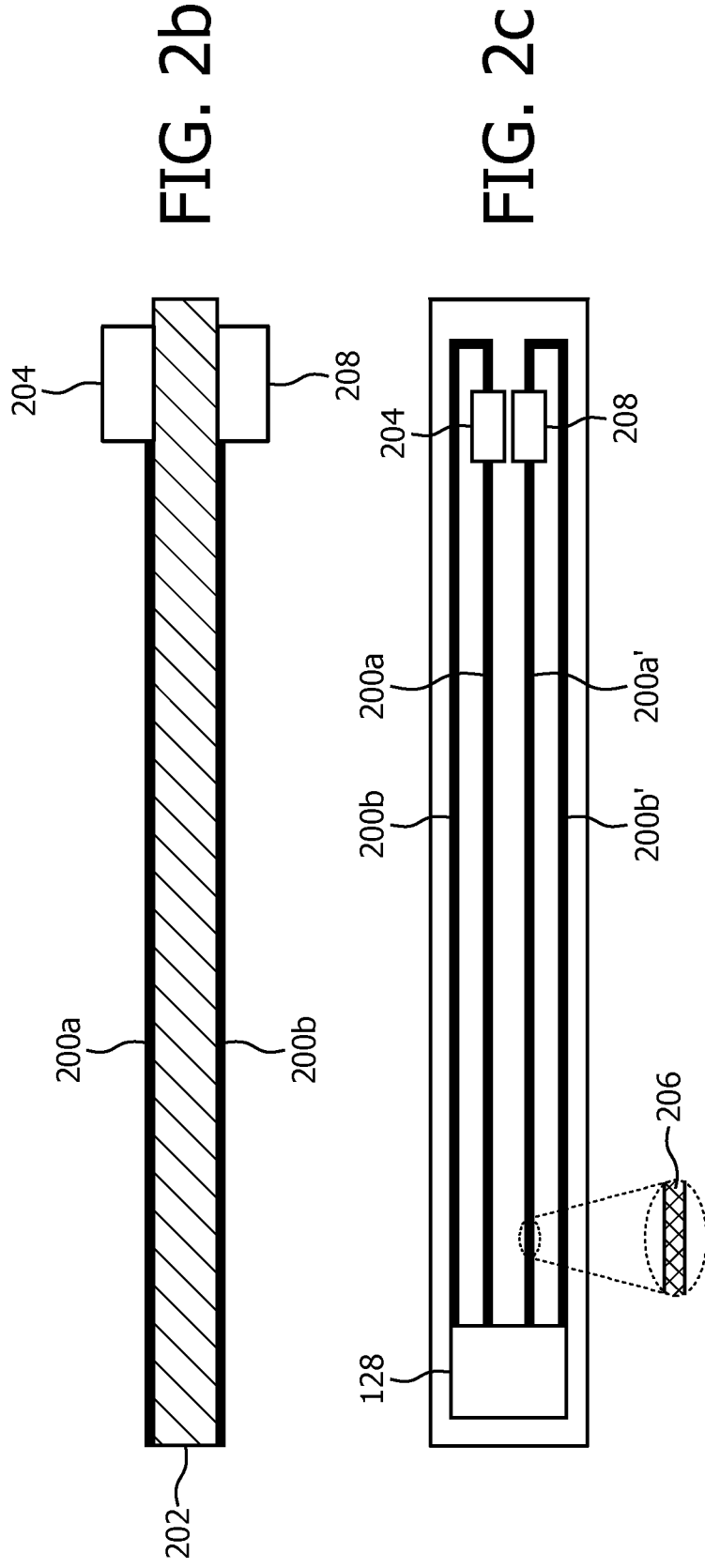


FIG. 2b

FIG. 2c

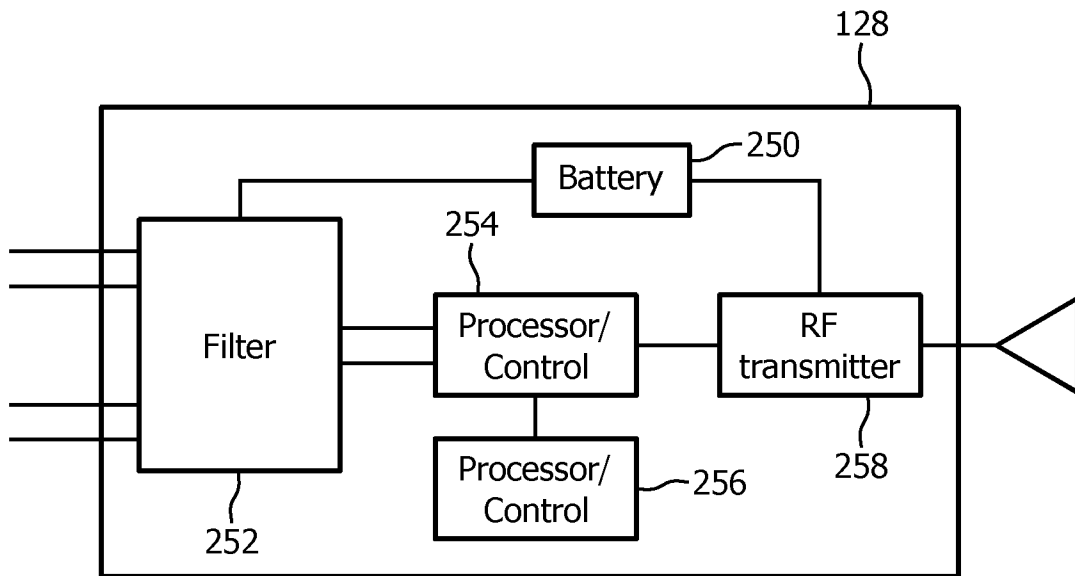


FIG. 2d

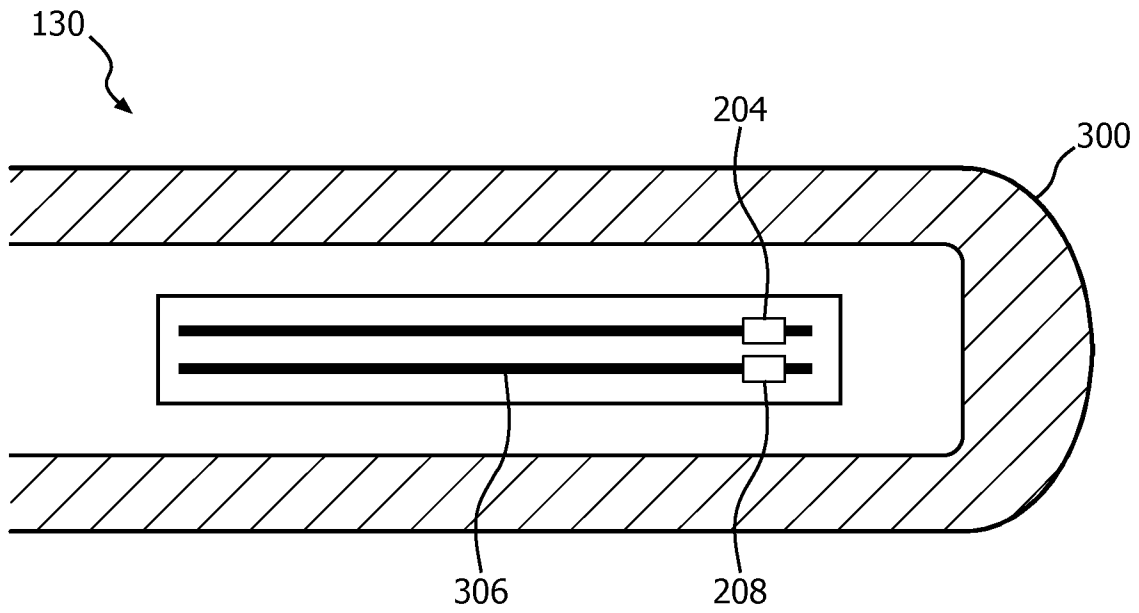


FIG. 3

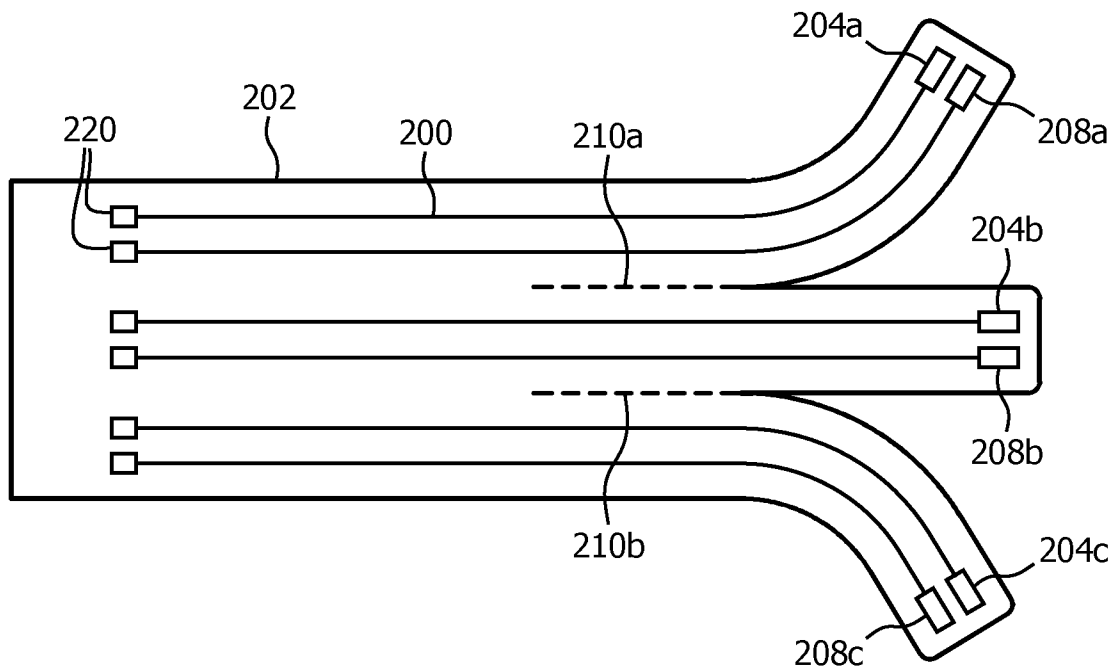


FIG. 4

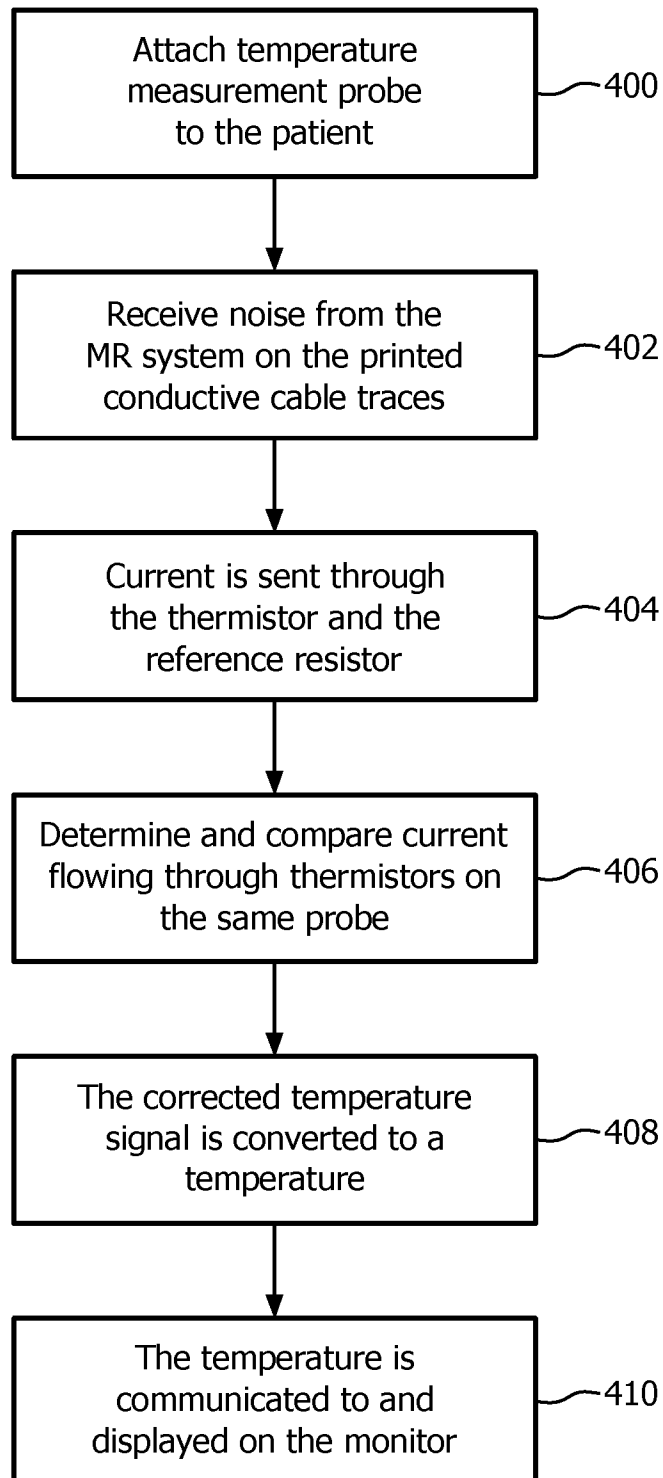


FIG. 5

INTERNATIONAL SEARCH REPORT

International application No
PCT/IB2015/052351

A. CLASSIFICATION OF SUBJECT MATTER

INV. G01R33/28 G01R33/31
ADD. A61B5/00 A61B5/055 G01K7/00

According to International Patent Classification (IPC) or to both national classification and IPC

B. FIELDS SEARCHED

Minimum documentation searched (classification system followed by classification symbols)
G01R A61B G01K

Documentation searched other than minimum documentation to the extent that such documents are included in the fields searched

Electronic data base consulted during the international search (name of data base and, where practicable, search terms used)

EPO-Internal, BIOSIS, COMPENDEX, EMBASE, INSPEC, IBM-TDB, WPI Data

C. DOCUMENTS CONSIDERED TO BE RELEVANT

Category*	Citation of document, with indication, where appropriate, of the relevant passages	Relevant to claim No.
X	US 2011/249699 A1 (BIEBERICH MARK T [US] ET AL) 13 October 2011 (2011-10-13) paragraph [0036] - paragraph [0056] figures 3, 4	1-20
X	----- EP 0 213 239 A1 (SCHONBERGER MILTON) 11 March 1987 (1987-03-11) column 5, line 21 - column 6, line 12 figures 1, 2 ----- -/--	1-20

Further documents are listed in the continuation of Box C.

See patent family annex.

* Special categories of cited documents :

"A" document defining the general state of the art which is not considered to be of particular relevance
"E" earlier application or patent but published on or after the international filing date
"L" document which may throw doubts on priority claim(s) or which is cited to establish the publication date of another citation or other special reason (as specified)
"O" document referring to an oral disclosure, use, exhibition or other means
"P" document published prior to the international filing date but later than the priority date claimed

"T" later document published after the international filing date or priority date and not in conflict with the application but cited to understand the principle or theory underlying the invention

"X" document of particular relevance; the claimed invention cannot be considered novel or cannot be considered to involve an inventive step when the document is taken alone

"Y" document of particular relevance; the claimed invention cannot be considered to involve an inventive step when the document is combined with one or more other such documents, such combination being obvious to a person skilled in the art

"&" document member of the same patent family

Date of the actual completion of the international search

8 July 2015

Date of mailing of the international search report

17/07/2015

Name and mailing address of the ISA/
European Patent Office, P.B. 5818 Patentlaan 2
NL - 2280 HV Rijswijk
Tel. (+31-70) 340-2040,
Fax: (+31-70) 340-3016

Authorized officer

Streif, Jörg Ulrich

INTERNATIONAL SEARCH REPORT

International application No

PCT/IB2015/052351

C(Continuation). DOCUMENTS CONSIDERED TO BE RELEVANT

Category*	Citation of document, with indication, where appropriate, of the relevant passages	Relevant to claim No.
Y	<p>HOFMAN M B M ET AL: "TRANSESOPHAGEAL CARDIAC PACING DURING MAGNETIC RESONANCE IMAGING: FEASIBILITY AND SAFETY CONSIDERATIONS", MAGNETIC RESONANCE IN MEDICINE, JOHN WILEY & SONS, INC, US, vol. 35, no. 3, 1 March 1996 (1996-03-01), pages 413-422, XP000580483, ISSN: 0740-3194 Section "Construction of an MRI compatible catheter" figure 1</p>	1-20
Y	<p>----- US 2006/241392 A1 (FEINSTEIN IGOR [US] ET AL) 26 October 2006 (2006-10-26) paragraph [0034] - paragraph [0057] figures 1, 4</p>	1-20
Y	<p>----- WEISS S ET AL: "Evaluation of a novel MR-RF ablation catheter with full clinical functionality", PROCEEDINGS OF THE INTERNATIONAL SOCIETY FOR MAGNETIC RESONANCE IN MEDICINE, ISMRM, 19TH ANNUAL MEETING AND EXHIBITION, MONTREAL, QUEBEC, 7-13 MAY 2011, 23 April 2011 (2011-04-23), page 197, XP040618643, Section "Materials and Methods" figure 1</p>	1-20
Y	<p>----- WO 2013/175457 A1 (KONINKL PHILIPS NV [NL]) 28 November 2013 (2013-11-28) page 1, line 14 - page 3, line 12 page 6, line 9 - page 8, line 18 figures 1-3</p> <p>-----</p>	1-20

INTERNATIONAL SEARCH REPORT

Information on patent family members

International application No

PCT/IB2015/052351

Patent document cited in search report	Publication date	Patent family member(s)	Publication date
US 2011249699 A1	13-10-2011	CN 102884406 A	16-01-2013
		EP 2556351 A1	13-02-2013
		JP 2013524236 A	17-06-2013
		US 2011249699 A1	13-10-2011
		US 2013003776 A1	03-01-2013
		WO 2011146098 A1	24-11-2011

EP 0213239 A1	11-03-1987	NONE	

US 2006241392 A1	26-10-2006	NONE	

WO 2013175457 A1	28-11-2013	CN 104363825 A	18-02-2015
		EP 2854631 A1	08-04-2015
		US 2015141792 A1	21-05-2015
		WO 2013175457 A1	28-11-2013
