



US00D568816S

(12) **United States Design Patent**
Micheals

(10) **Patent No.:** **US D568,816 S**

(45) **Date of Patent:** **** May 13, 2008**

(54) **OUTLET**

(76) Inventor: **Daniel Micheals**, 7741 Suburban La.,
Bridgeview, IL (US) 60455

(**) Term: **14 Years**

(21) Appl. No.: **29/291,751**

(22) Filed: **Sep. 13, 2007**

(51) **LOC (8) Cl.** **13-03**

(52) **U.S. Cl.** **D13/139.3**

(58) **Field of Classification Search** . D13/137.1-137.4,
D13/139.1, 139.3, 139.6, 184; 174/50-51,
174/53-55, 58, 66-67

See application file for complete search history.

(56) **References Cited**

U.S. PATENT DOCUMENTS

2,214,065	A *	9/1940	Pennock et al.	439/516
D269,510	S *	6/1983	Doyle et al.	D13/139.3
4,504,103	A	3/1985	Woedl	
4,545,631	A	10/1985	Zampini	
4,607,136	A	8/1986	Thomas	
5,057,649	A *	10/1991	Ring	174/53
D405,760	S *	2/1999	Yu	D13/139.3
D419,531	S *	1/2000	Keung et al.	D13/160
D430,539	S *	9/2000	Leopold et al.	D13/139.3

6,160,219	A *	12/2000	Maltby et al.	174/66
6,184,466	B1 *	2/2001	Eder et al.	174/53
D512,377	S *	12/2005	Fort et al.	D13/139.3
D521,932	S *	5/2006	Fort et al.	D13/139.6
7,052,314	B1 *	5/2006	Rose	439/539
D545,272	S *	6/2007	Zhang et al.	D13/139.3
D558,676	S *	1/2008	Fort et al.	D13/139.3

* cited by examiner

Primary Examiner—Cathron Brooks

Assistant Examiner—Rosemary K Tarcza

(57) **CLAIM**

The ornamental design for a outlet, as shown and described.

DESCRIPTION

FIG. 1 is a perspective view of a outlet showing my new design;

FIG. 2 is a front elevational view thereof;

FIG. 3 is a rear elevational view thereof;

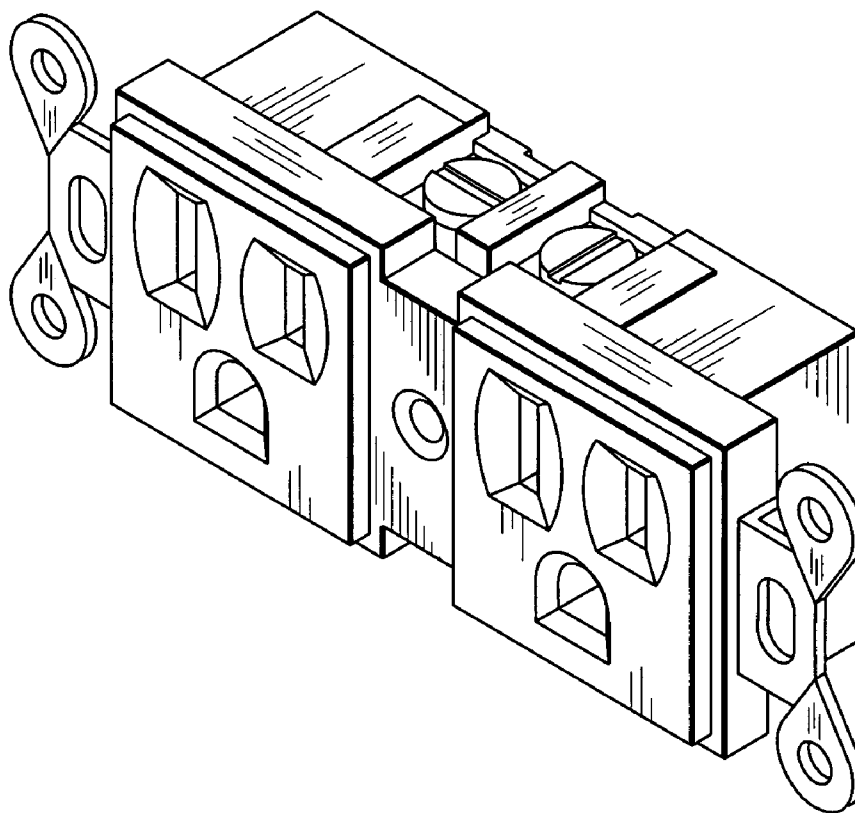
FIG. 4 is a top plan view thereof;

FIG. 5 is a bottom plan view thereof;

FIG. 6 is a right side elevational view thereof; and,

FIG. 7 is a left side elevational view thereof.

1 Claim, 3 Drawing Sheets



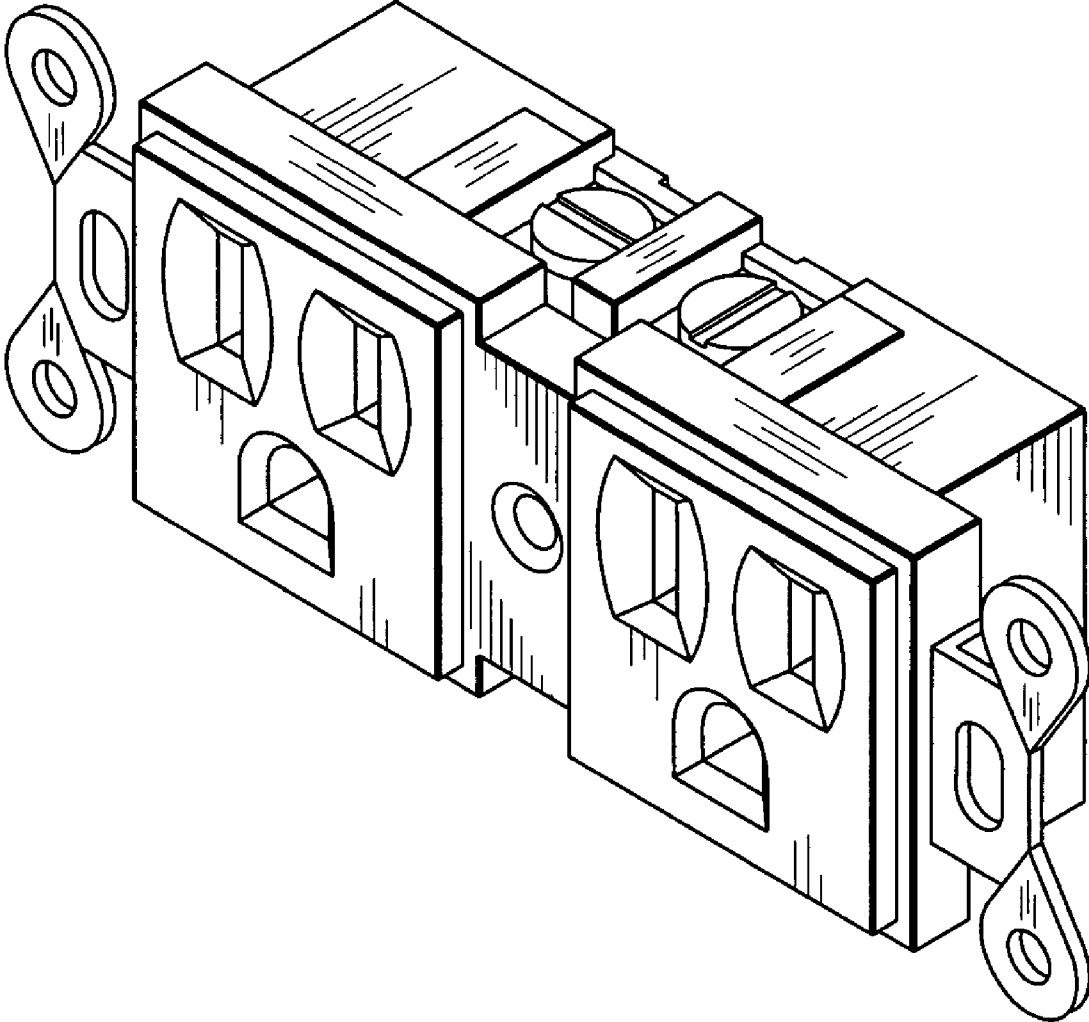


Fig. 1

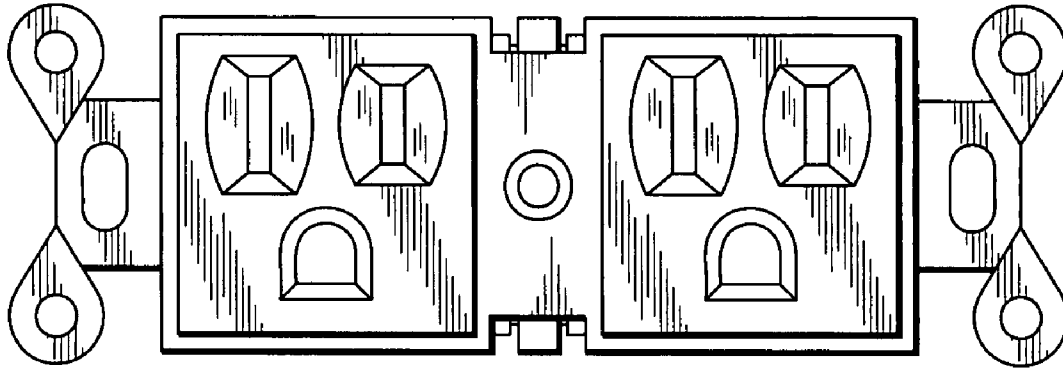


Fig. 2

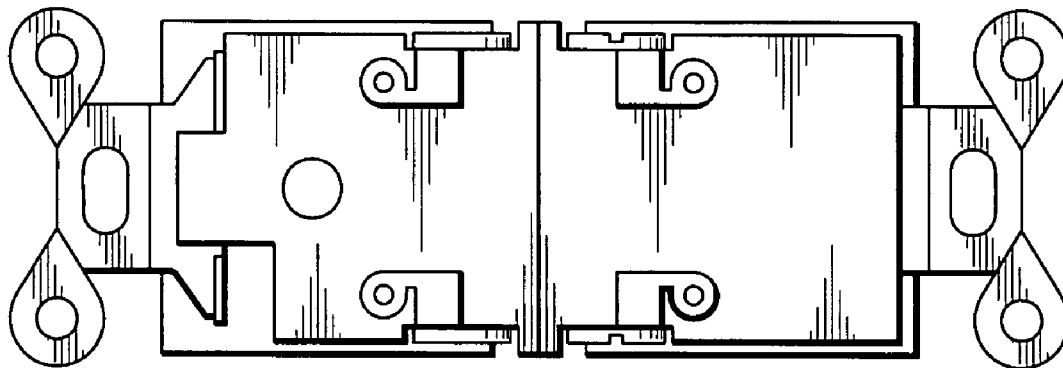


Fig. 3

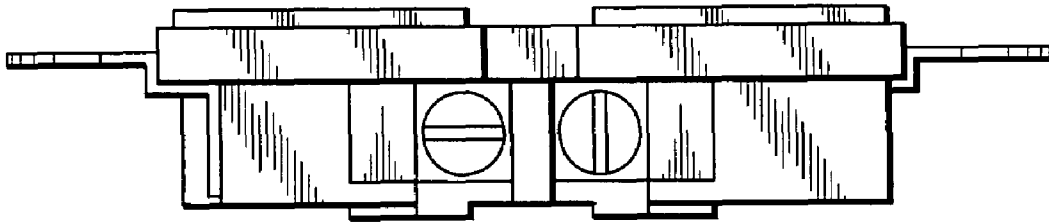


Fig. 4

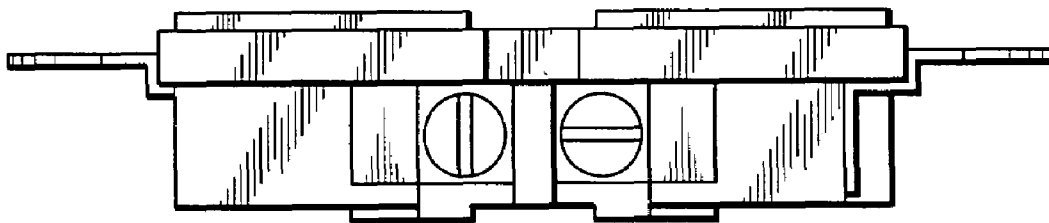


Fig. 5

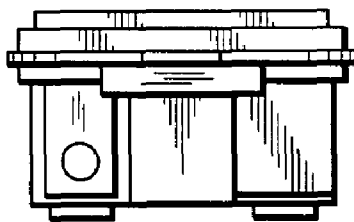


Fig. 6

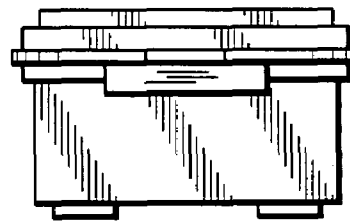


Fig. 7