



US00D342913S

United States Patent [19]

[11] Patent Number: Des. 342,913

Loughlin

[45] Date of Patent: ** Jan. 4, 1994

[54] FLASHING STROBE LIGHT FOR FIREFIGHTER'S LADDER

[76] Inventor: Bernard M. Loughlin, Box 385, Sayville, N.Y. 11782

[**] Term: 14 Years

[21] Appl. No.: 834,716

[22] Filed: Feb. 12, 1992

[52] U.S. Cl. D10/114; D26/37

[58] Field of Search 362/157, 158, 183, 190, 362/191, 396, 119; 340/321; D26/24, 37, 40; D10/114

[56] References Cited

U.S. PATENT DOCUMENTS

4,090,185	5/1978	Patty	340/321
4,766,525	8/1988	Loughlin	362/191 X
4,827,245	5/1989	Lipman	340/321

Primary Examiner—Susan J. Lucas

Attorney, Agent, or Firm—Walter G. Finch

[57] CLAIM

The ornamental design for a flashing strobe light for firefighter's ladder, as shown and described.

DESCRIPTION

FIG. 1 is a perspective view of a flashing strobe light for firefighter's ladder incorporating features of this design; FIG. 2 is a side view of the flashing strobe light for firefighter's ladder of FIG. 1; FIG. 3 is a front view of the flashing strobe light for firefighter's ladder of FIG. 1; FIG. 4 is a bottom view of the flashing strobe light for firefighter's ladder of FIG. 1; FIG. 5 is the opposite side view of the flashing strobe light for firefighter's ladder of FIG. 2; FIG. 6 is the rear view of the flashing strobe light for firefighter's ladder of FIG. 3; and, FIG. 7 is the top view of the flashing strobe light for firefighter's ladder.

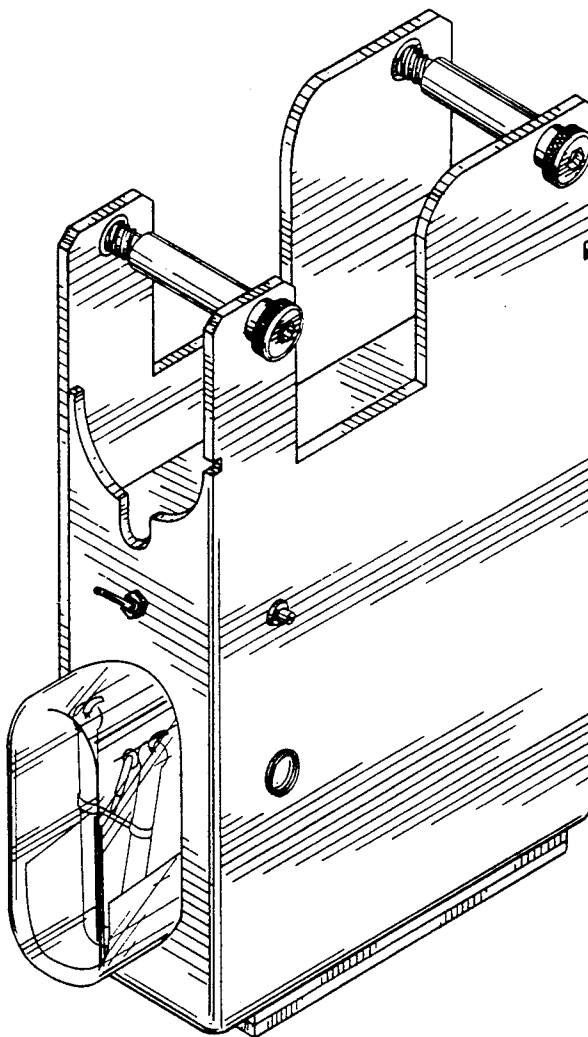


FIG. 1

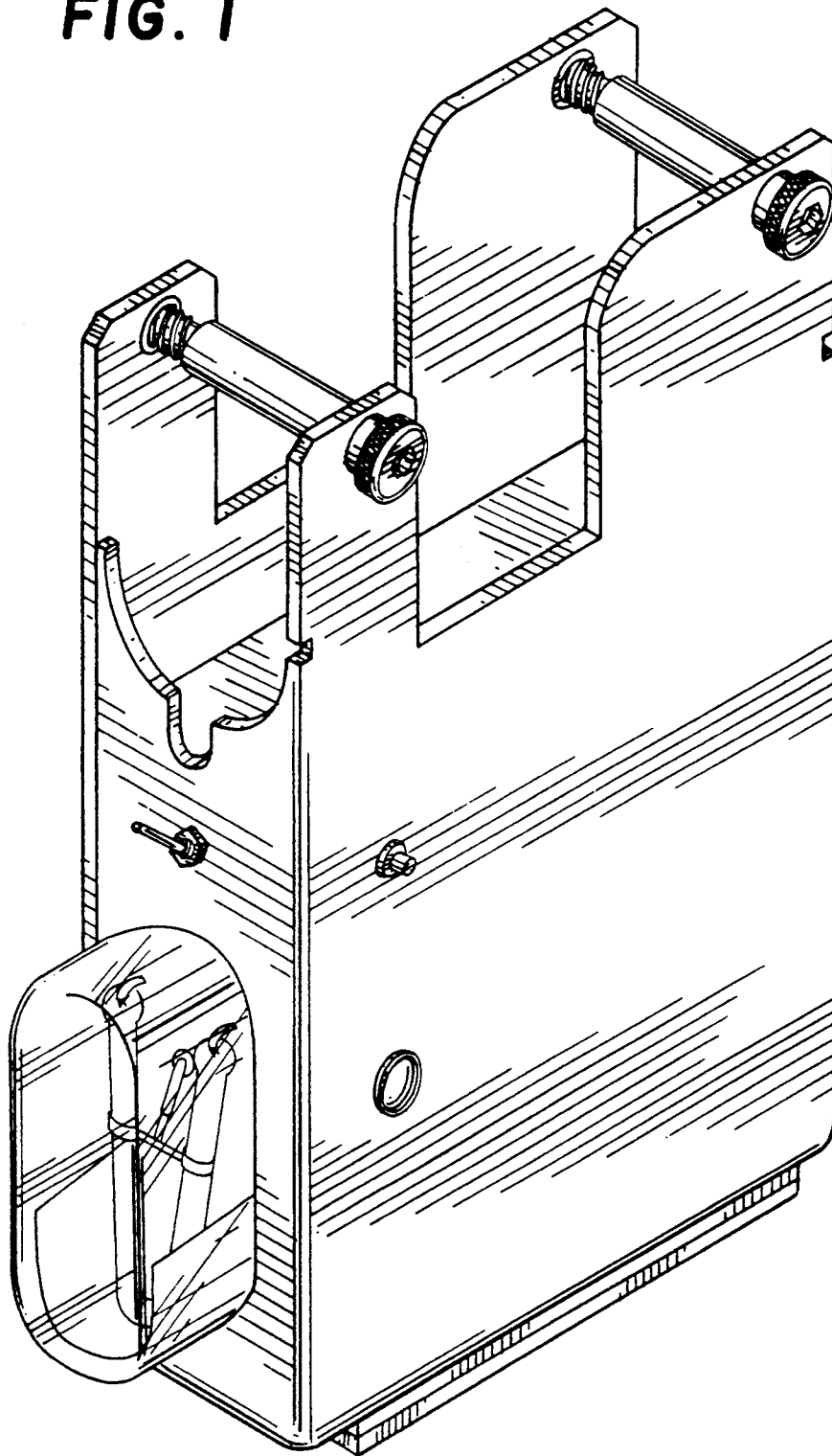


FIG. 2

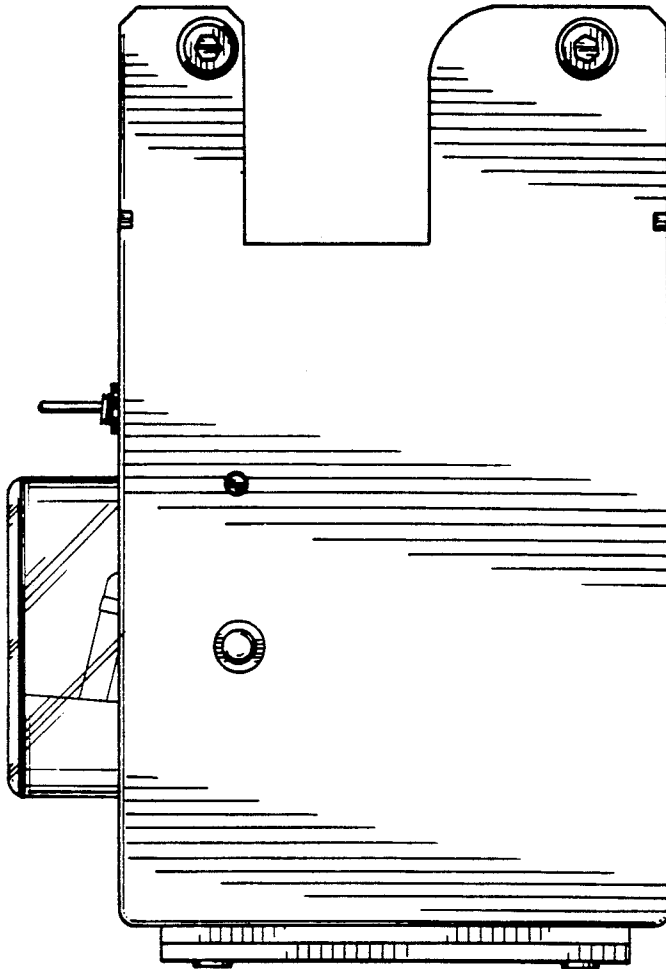


FIG. 3

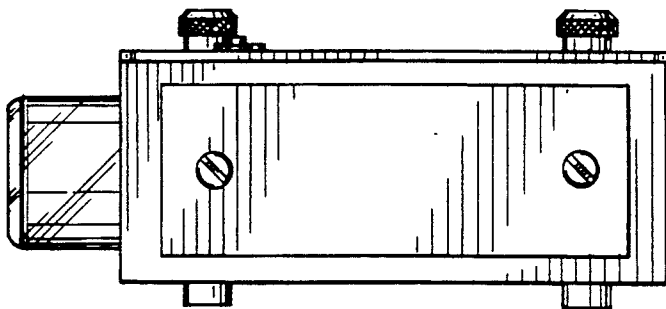
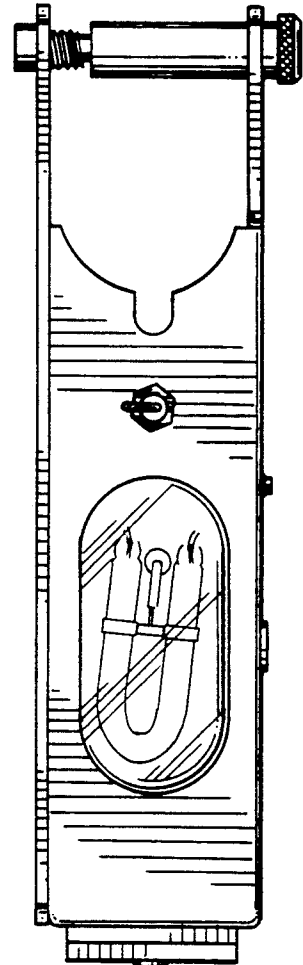


FIG. 4

FIG. 5

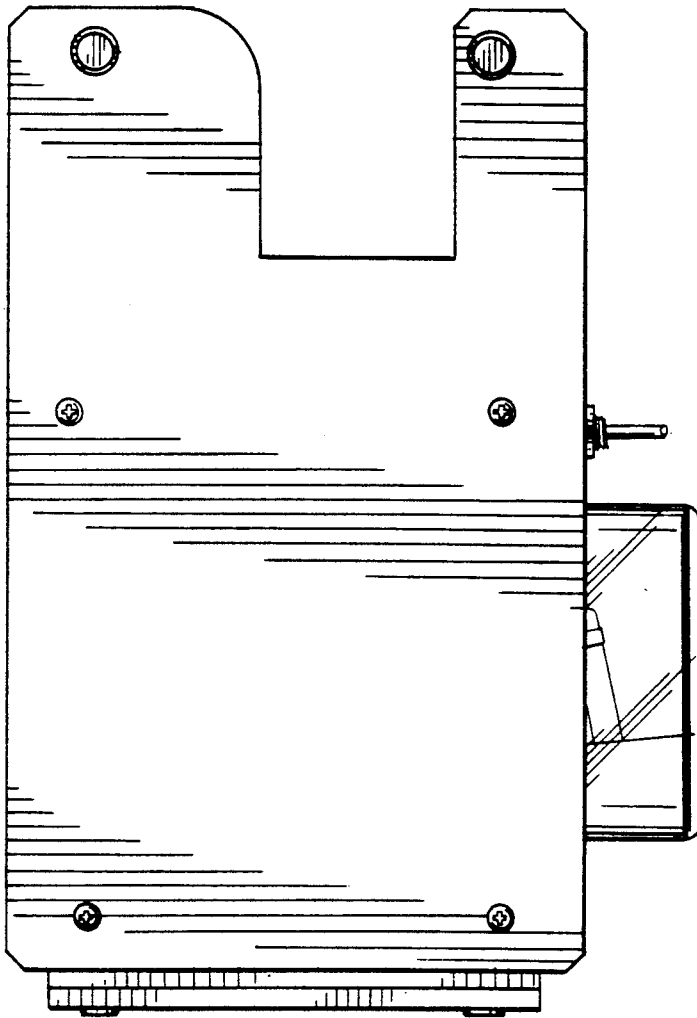


FIG. 6

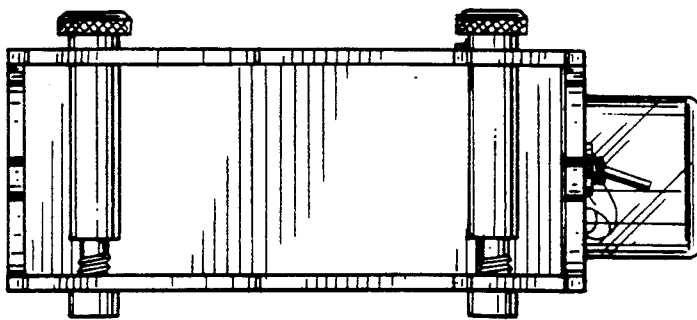
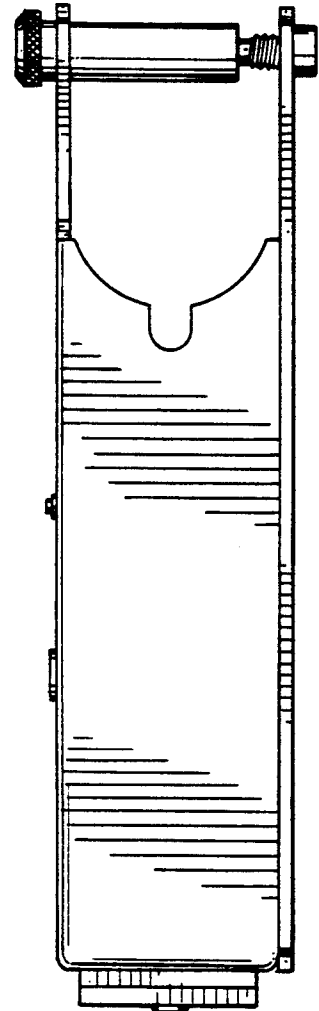


FIG. 7