



US00D399502S

United States Patent [19] Klinker

[11] Patent Number: Des. 399,502

[45] Date of Patent: **Oct. 13, 1998

- [54] **PROCESSOR CARD ASSEMBLY**
- [75] Inventor: **Thomas S. Klinker**, San Francisco, Calif.
- [73] Assignee: **Intel Corporation**, Santa Clara, Calif.
- [**] Term: **14 Years**
- [21] Appl. No.: **61,737**
- [22] Filed: **Oct. 29, 1996**
- [51] **LOC (6) Cl.** **14-02**
- [52] **U.S. Cl.** **D14/117**
- [58] **Field of Search** D13/182; D14/114, D14/117; D18/12; 235/380, 381, 487, 492; 257/678; 361/737, 816; 364/246.6, 249, 249.2

D. 362,846	10/1995	Inoue et al. .	
D. 365,556	12/1995	Inoue et al. .	
D. 369,352	4/1996	Iwakami .	
D. 371,353	7/1996	Ashida et al. .	
D. 374,442	10/1996	Ozaki .	
D. 374,665	10/1996	Miyaki .	
D. 376,795	12/1996	Ashida .	
D. 377,488	1/1997	Ashida .	
D. 379,977	6/1997	Ueda .	
4,924,076	5/1990	Kitamura	235/492
5,031,076	7/1991	Kiku	361/816
5,260,601	11/1993	Baudouin et al.	257/678
5,528,459	6/1996	Ainsbury et al.	361/737
5,563,771	10/1996	Bethurum	361/737

- [56] **References Cited**
- U.S. PATENT DOCUMENTS**
- D. 291,698 9/1987 Hirooka et al. D14/114
- D. 306,576 3/1990 Hiatt et al. D13/182
- D. 320,203 9/1991 Ashida .
- D. 320,225 9/1991 Ido et al. D18/12
- D. 321,429 11/1991 Kojo .
- D. 343,833 2/1994 Barr et al. .
- D. 344,504 2/1994 Barr et al. .
- D. 344,725 3/1994 Barr et al. .
- D. 355,414 2/1995 Inoue et al. .

Primary Examiner—James Gandy
Assistant Examiner—Cathron B. Matta
Attorney, Agent, or Firm—Blakely, Sokoloff, Taylor & Zafman

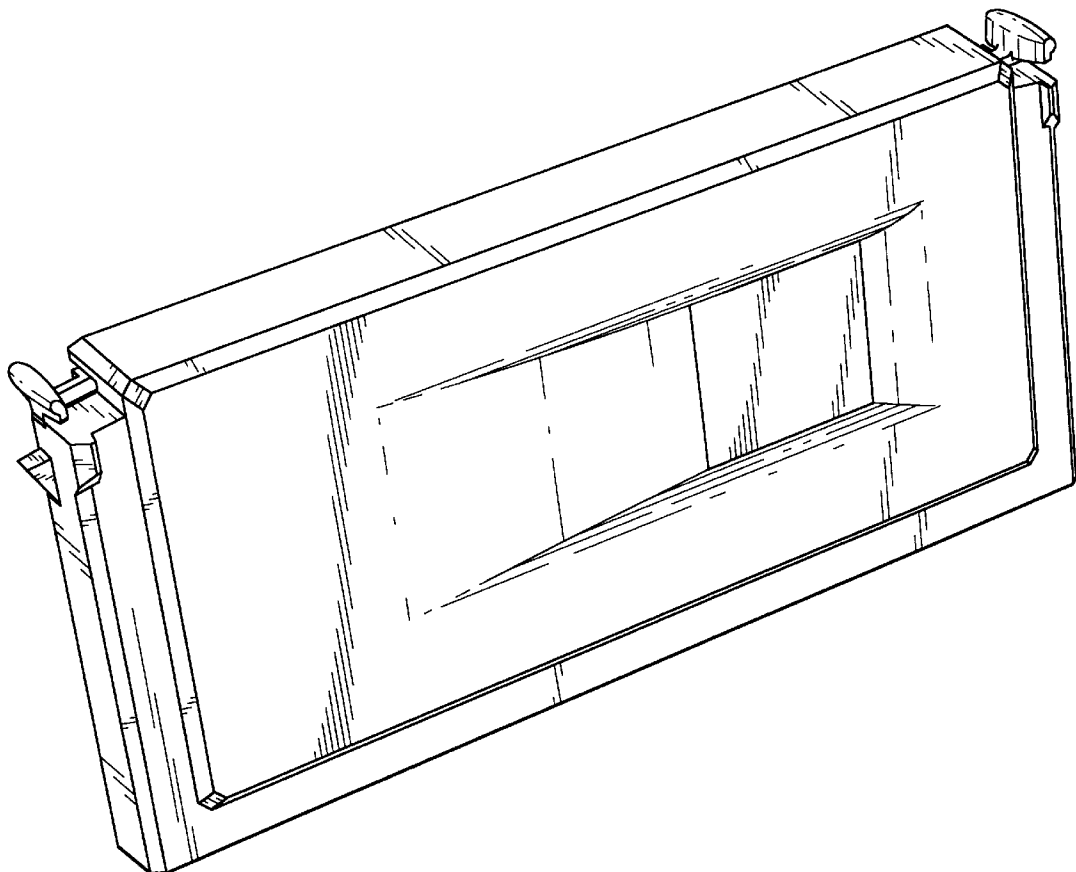
[57] CLAIM

The ornamental design for a processor card assembly, as shown and described.

DESCRIPTION

FIG. 1 is a perspective view of a processor card assembly; FIGS. 2-3 are front and left side views of the processor card assembly; and, FIGS. 4-7 are back, right side, top and bottom views of the processor card assembly.

1 Claim, 3 Drawing Sheets



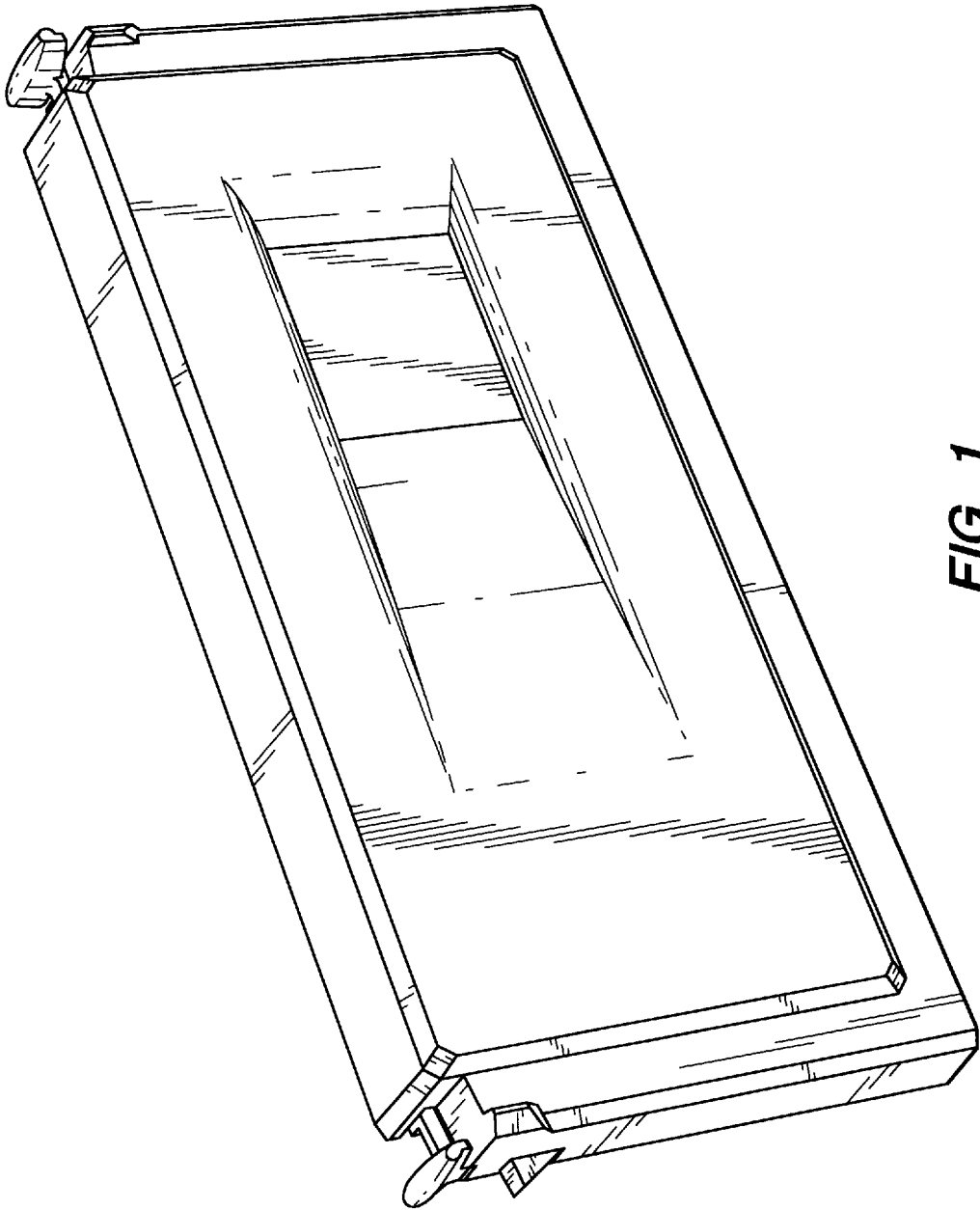


FIG. 1

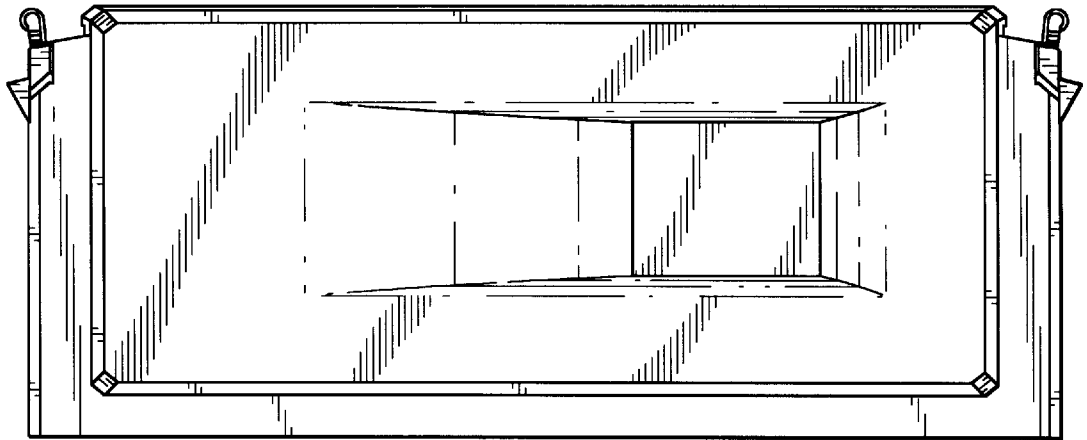


FIG. 2



FIG. 3

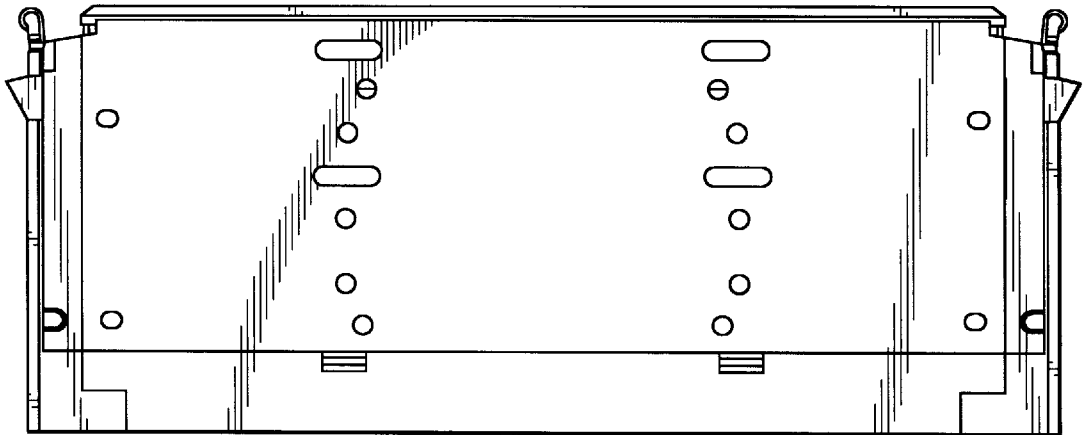


FIG. 4



FIG. 5

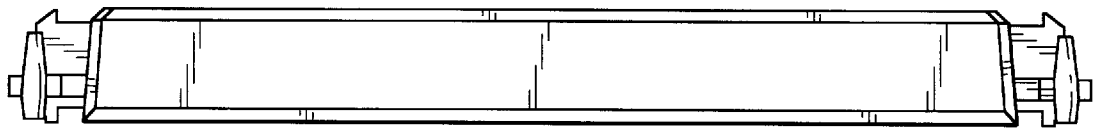


FIG. 6

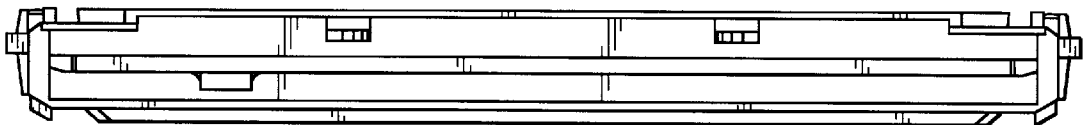


FIG. 7