



US00D731925S

(12) **United States Design Patent**
Kobayashi et al.

(10) **Patent No.:** **US D731,925 S**

(45) **Date of Patent:** **** Jun. 16, 2015**

(54) **PASSENGER CAR AND/OR TOY REPLICA THEREOF**

CPC B62D 35/00; B62D 25/00; B62D 25/06;
B62D 25/08; B62D 33/00
See application file for complete search history.

(71) Applicant: **Fuji Jukogyo Kabushiki Kaisha**, Tokyo (JP)

(56) **References Cited**

(72) Inventors: **Masahiko Kobayashi**, Tokyo (JP);
Daisuke Tokano, Tokyo (JP); **Naoa Ashida**, Tokyo (JP)

U.S. PATENT DOCUMENTS

D710,762 S * 8/2014 Mays et al. D12/92
D714,690 S * 10/2014 Mays et al. D12/92
D718,666 S * 12/2014 Hammoud et al. D12/92

(73) Assignee: **Fuji Jukogyo Kabushiki Kaisha**, Tokyo (JP)

* cited by examiner

(**) Term: **14 Years**

Primary Examiner — Melody N Brown

(74) *Attorney, Agent, or Firm* — Schiff Hardin LLP

(21) Appl. No.: **29/466,478**

(57) **CLAIM**

We claim the ornamental design for a passenger car and/or toy replica thereof, as shown and described.

(22) Filed: **Sep. 9, 2013**

DESCRIPTION

(30) **Foreign Application Priority Data**

Mar. 7, 2013 (JP) 2013-005018

(51) **LOC (10) Cl.** **12-08**

(52) **U.S. Cl.**
USPC **D12/92**

(58) **Field of Classification Search**
USPC D12/86, 90-92, 88; D21/421, 433, 434;
296/181.1, 181.5

FIG. 1 is a front perspective view for a passenger car and/or toy replica thereof showing my new design,
FIG. 2 is a rear perspective view thereof,
FIG. 3 is a front view thereof,
FIG. 4 is a rear view thereof,
FIG. 5 is a right-side view thereof; and,
FIG. 6 is a top view thereof.

1 Claim, 6 Drawing Sheets

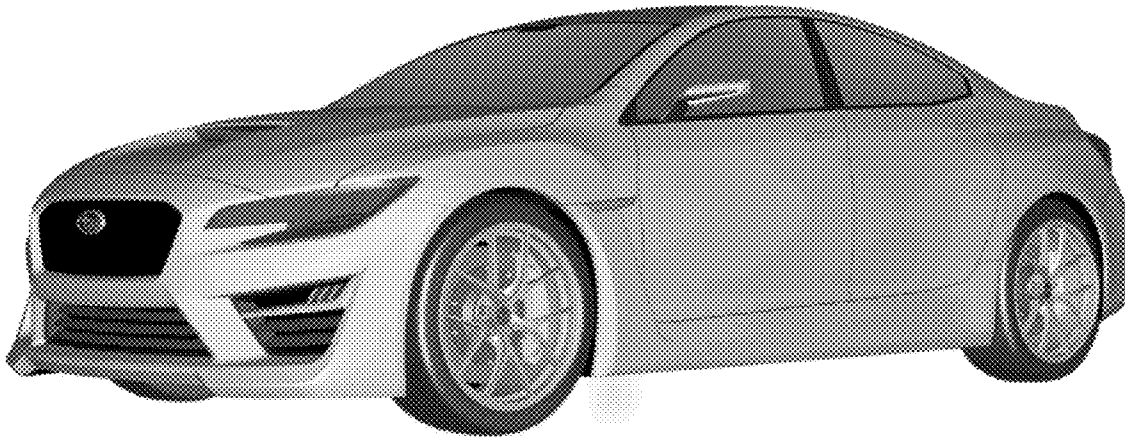


Fig. 1

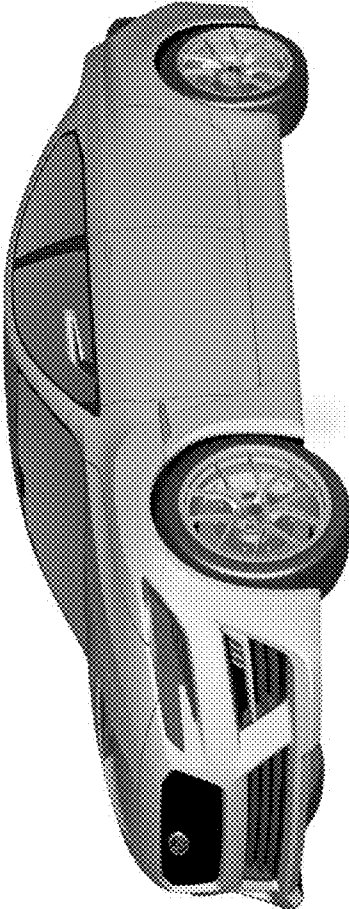


Fig. 2

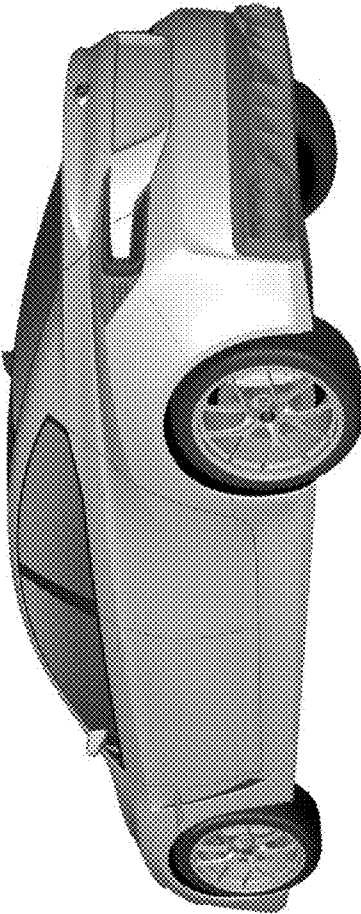


Fig. 3

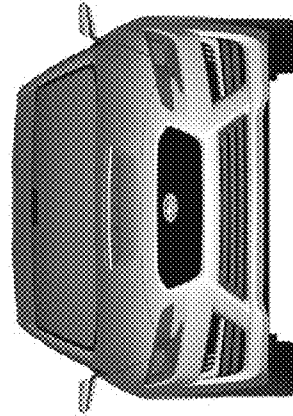


Fig. 4

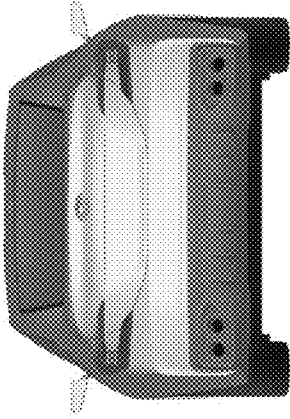


Fig. 5

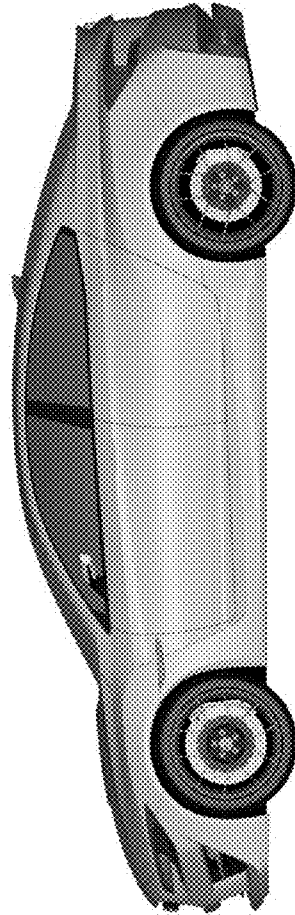


Fig. 6

