



US00D856484S

(12) **United States Design Patent**  
**Spangler**

(10) **Patent No.:** **US D856,484 S**

(45) **Date of Patent:** **\*\* Aug. 13, 2019**

(54) **FAUCET**

(71) Applicant: **DELTA FAUCET COMPANY,**  
Indianapolis, IN (US)

(72) Inventor: **Anthony G. Spangler,** Indianapolis, IN  
(US)

(73) Assignee: **DELTA FAUCET COMPANY,**  
Indianapolis, IN (US)

(\*\*) Term: **15 Years**

(21) Appl. No.: **29/632,379**

(22) Filed: **Jan. 8, 2018**

(51) **LOC (12) Cl.** ..... **23-01**

(52) **U.S. Cl.**  
USPC ..... **D23/238**

(58) **Field of Classification Search**  
USPC ..... D23/238–243, 249, 255, 257, 250,  
D23/252–254, 245; D8/300  
CPC ..... F16K 31/60; F16K 31/602; F16K 31/605;  
F16K 31/607; E03C 1/0412  
See application file for complete search history.

(56) **References Cited**

**U.S. PATENT DOCUMENTS**

D162,678 S \* 3/1951 Muller-Munk ..... D23/254  
D434,476 S \* 11/2000 Meda ..... D23/250  
D461,230 S \* 8/2002 Ko ..... D23/255

D486,563 S \* 2/2004 Hsieh ..... D23/238  
D488,539 S \* 4/2004 McKeone ..... D23/255  
D540,911 S \* 4/2007 Citterio ..... D23/238  
D668,745 S \* 10/2012 Citterio ..... D23/253  
D669,557 S \* 10/2012 Citterio ..... D23/253  
D810,888 S \* 2/2018 Schoenherr ..... D23/255  
D813,354 S \* 3/2018 Garland ..... D23/255  
D827,099 S \* 8/2018 Spangler ..... D23/253  
D830,518 S \* 10/2018 Zeisel ..... D23/238

\* cited by examiner

*Primary Examiner* — Robert A Delehanty

(74) *Attorney, Agent, or Firm* — Edgar A. Zarins; Nirav  
D. Parikh

(57) **CLAIM**

The ornamental design for a faucet, as shown and described.

**DESCRIPTION**

FIG. 1 is a perspective view of a faucet showing my new design;

FIG. 2 is a top plan view thereof;

FIG. 3 is a left side view thereof;

FIG. 4 is a bottom view thereof;

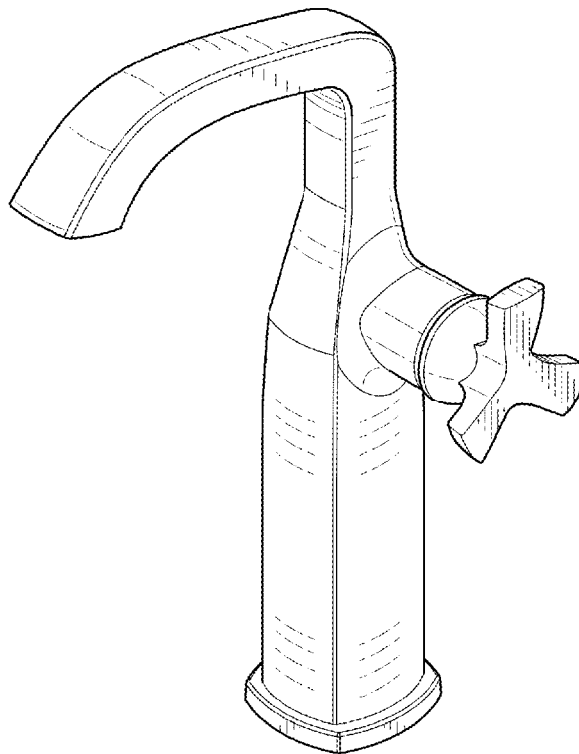
FIG. 5 is a rear view thereof;

FIG. 6 is a front elevational view thereof; and,

FIG. 7 is a right side view thereof.

The broken-line disclosure in the view represents a portion of the faucet in which the claimed design is embodied, but which forms no part of the claimed design.

**1 Claim, 4 Drawing Sheets**



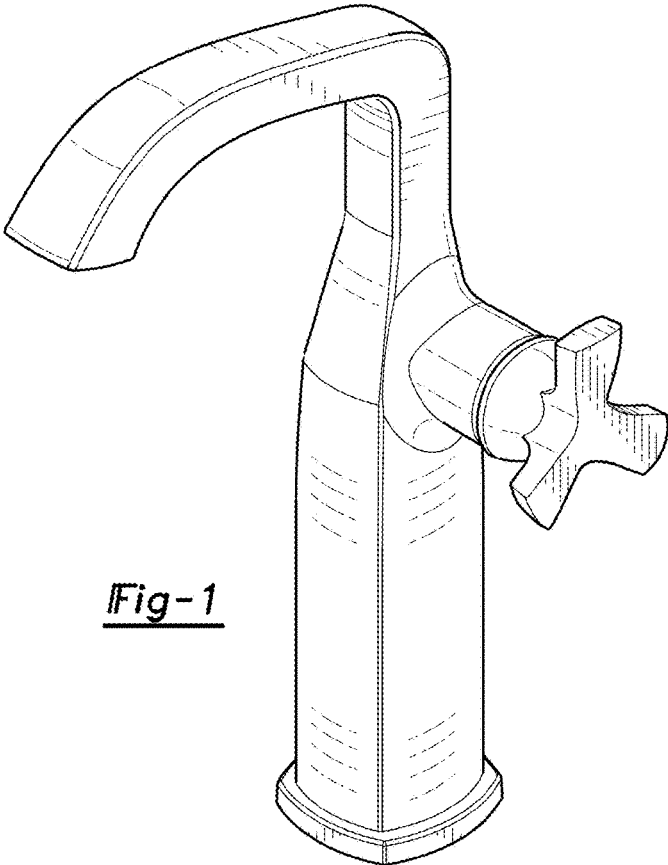


Fig-1

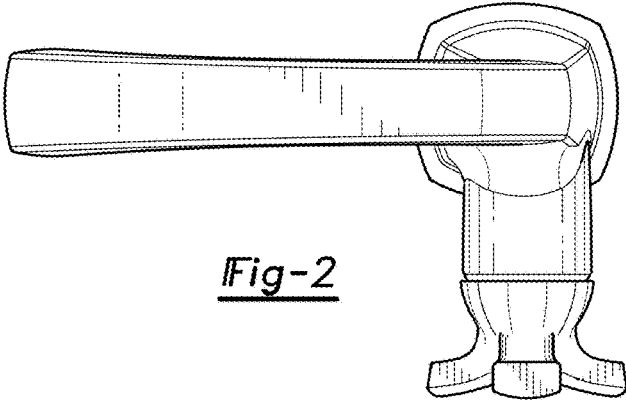


Fig-2

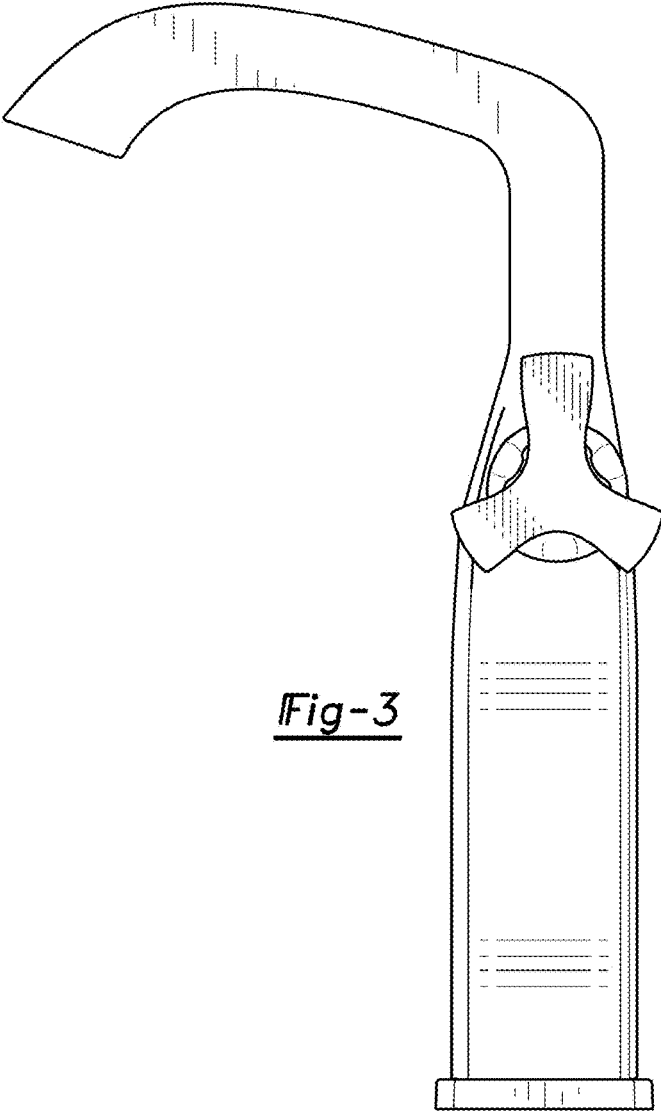


Fig-3

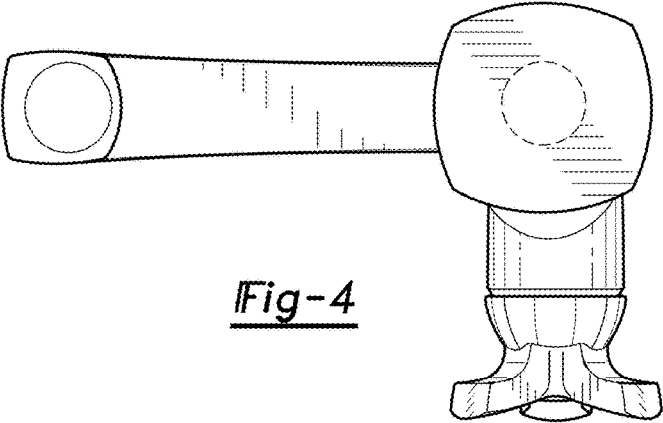


Fig-4

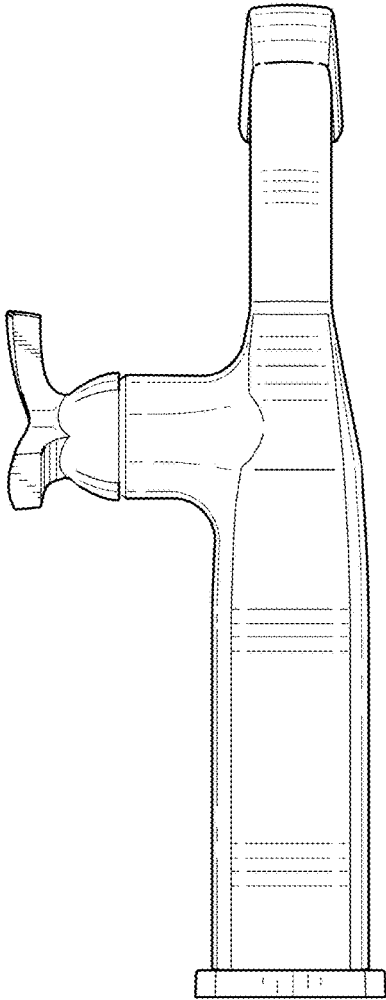


Fig-5

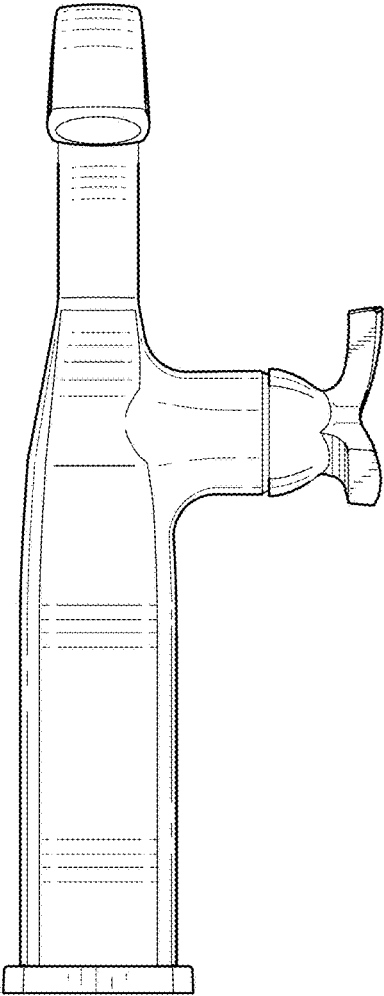


Fig-6

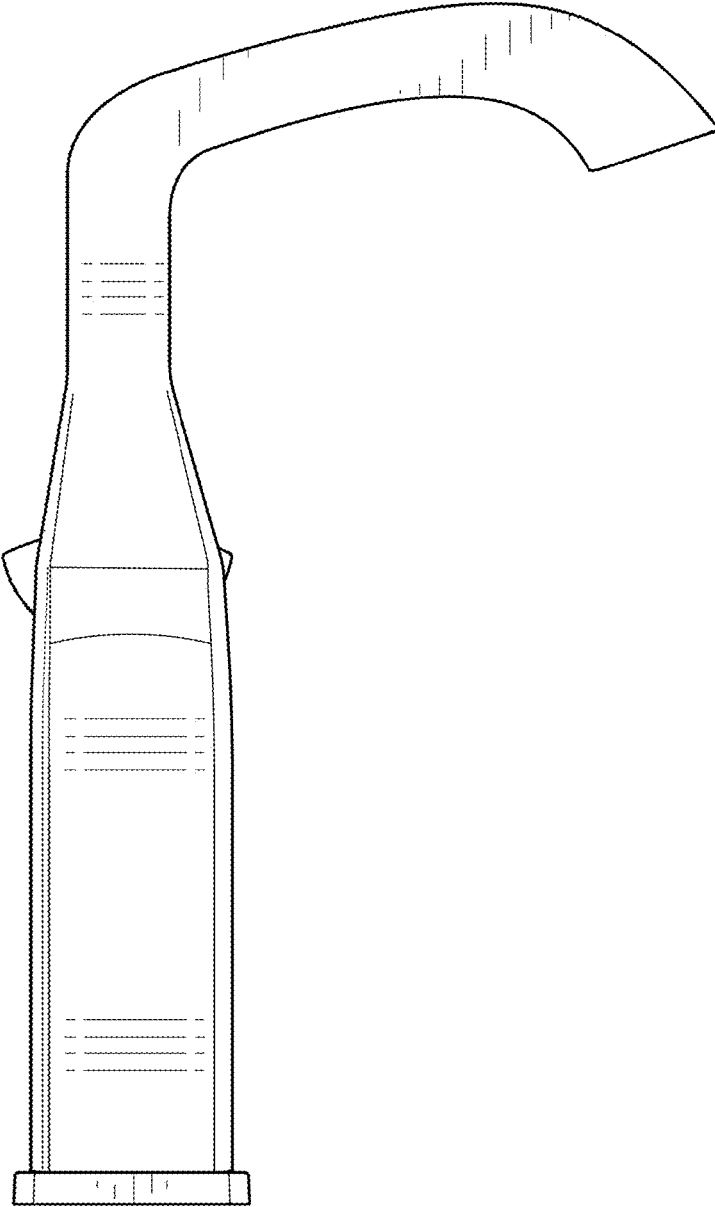


Fig-7