

REVISED VERSION

(19) World Intellectual Property Organization International Bureau



(10) International Publication Number WO 2014/160367 A9

(43) International Publication Date 2 October 2014 (02.10.2014)

- (51) International Patent Classification: G06F 11/07 (2006.01) H04L 12/24 (2006.01)
(21) International Application Number: PCT/US2014/026407
(22) International Filing Date: 13 March 2014 (13.03.2014)
(25) Filing Language: English
(26) Publication Language: English
(30) Priority Data: 13/827,938 14 March 2013 (14.03.2013) US
(71) Applicant: MICROSOFT CORPORATION [US/US]; One Microsoft Way, Redmond, Washington 98052-6399 (US).
(72) Inventors: NAGESHARAO, Pavithra Tyamagondlu; c/o Microsoft Corporation, LCA - International Patents (8/1172), Redmond, Washington 98052-6399 (US). RIZVI, Murtuza; c/o Microsoft Corporation, LCA - International Patents (8/1172), Redmond, Washington 98052-6399 (US). REWASKAR, Sushant Pramod; c/o Microsoft Corporation, LCA - International Patents (8/1172), Redmond, Washington 98052-6399 (US). ALMIDA,

Christopher P.; c/o Microsoft Corporation, LCA - International Patents (8/1172), Redmond, Washington 98052-6399 (US). HASSAN, Akram M.H.; c/o Microsoft Corporation, LCA - International Patents (8/1172), Redmond, Washington 98052-6399 (US). MANI, Ajay; c/o Microsoft Corporation, LCA - International Patents (8/1172), Redmond, Washington 98052-6399 (US). RAFIQ, Wakkas; c/o Microsoft Corporation, LCA - International Patents (8/1172), Redmond, Washington 98052-6399 (US).

(74) Agents: NGENGWE, George-Leonard et al.; (usoc - Shook, Hardy, & Bacon), Microsoft Corporation, LCA - International Patents (8/1172), Redmond, Washington 98052-6399 (US).

(81) Designated States (unless otherwise indicated, for every kind of national protection available): AE, AG, AL, AM, AO, AT, AU, AZ, BA, BB, BG, BH, BN, BR, BW, BY, BZ, CA, CH, CL, CN, CO, CR, CU, CZ, DE, DK, DM, DO, DZ, EC, EE, EG, ES, FI, GB, GD, GE, GH, GM, GT, HN, HR, HU, ID, IL, IN, IR, IS, JP, KE, KG, KN, KP, KR, KZ, LA, LC, LK, LR, LS, LT, LU, LY, MA, MD, ME, MG, MK, MN, MW, MX, MY, MZ, NA, NG, NI, NO, NZ, OM, PA, PE, PG, PH, PL, PT, QA, RO, RS, RU, RW, SA, SC, SD, SE, SG, SK, SL, SM, ST, SV, SY, TH, TJ, TM,

[Continued on next page]

(54) Title: COORDINATING FAULT RECOVERY IN A DISTRIBUTED SYSTEM

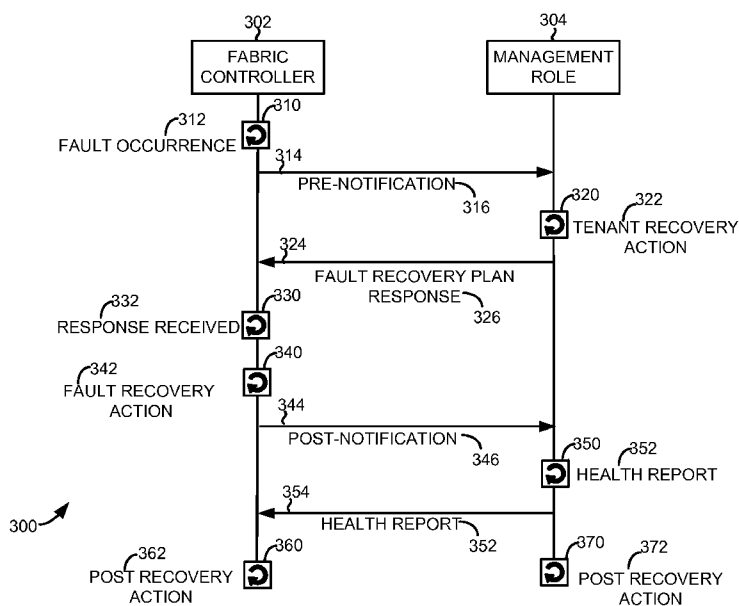


FIG. 3

(57) Abstract: In various embodiments, methods and systems for coordinating, between a host and a tenant, fault recovery of tenant infrastructure in a distributed system is provided. A fault occurrence is determined for a tenant infrastructure in the distributed system. The fault occurrence may be a software failure or hardware failure of the tenant infrastructure supporting a service application of the tenant. A fault recovery plan is communicated to the tenant to notify the tenant of the fault occurrence and actions taken to restore the tenant infrastructure. It is determined whether a fault recovery plan response is received from the tenant; the fault recovery plan response is an acknowledgement from the tenant of the fault recovery plan. Upon receiving the fault recovery plan response or at the expiration of a predefined time limit, the fault recovery plan is executed to restore the tenant infrastructure.



WO 2014/160367 A9

TN, TR, TT, TZ, UA, UG, US, UZ, VC, VN, ZA, ZM, ZW.

(84) Designated States (unless otherwise indicated, for every kind of regional protection available): ARIPO (BW, GH, GM, KE, LR, LS, MW, MZ, NA, RW, SD, SL, SZ, TZ, UG, ZM, ZW), Eurasian (AM, AZ, BY, KG, KZ, RU, TJ, TM), European (AL, AT, BE, BG, CH, CY, CZ, DE, DK, EE, ES, FI, FR, GB, GR, HR, HU, IE, IS, IT, LT, LU, LV, MC, MK, MT, NL, NO, PL, PT, RO, RS, SE, SI, SK, SM, TR), OAPI (BF, BJ, CF, CG, CI, CM, GA, GN, GQ, GW, KM, ML, MR, NE, SN, TD, TG).

— as to the applicant's entitlement to claim the priority of the earlier application (Rule 4.17(iii))

Published:

— with international search report (Art. 21(3))

(88) Date of publication of the revised international search report:

19 February 2015

(15) Information about Correction:
see Notice of 19 February 2015

Declarations under Rule 4.17:

— as to applicant's entitlement to apply for and be granted a patent (Rule 4.17(ii))

REVISED ISR

INTERNATIONAL SEARCH REPORT

International application No
PCT/US2014/026407

A. CLASSIFICATION OF SUBJECT MATTER INV. G06F11/07 H04L12/24 ADD.		
According to International Patent Classification (IPC) or to both national classification and IPC		
B. FIELDS SEARCHED Minimum documentation searched (classification system followed by classification symbols) G06F H04L		
Documentation searched other than minimum documentation to the extent that such documents are included in the fields searched		
Electronic data base consulted during the international search (name of data base and, where practicable, search terms used) EPO-Internal, WPI Data		
C. DOCUMENTS CONSIDERED TO BE RELEVANT		
Category*	Citation of document, with indication, where appropriate, of the relevant passages	Relevant to claim No.
X	US 2003/188217 A1 (SPIEGEL MICHAEL G [US]) 2 October 2003 (2003-10-02) the whole document	1-15
A	US 6 400 195 B1 (BHASKARAN SURAJ [US]) 4 June 2002 (2002-06-04) abstract column 4, line 15 - line 30 figures 1,2	1-15
A	US 6 304 981 B1 (SPEARS CAMERON [US] ET AL) 16 October 2001 (2001-10-16) abstract column 5, line 45 - column 7, line 38 claim 40 figures 1,6,7	1-15
	----- -/--	
<input checked="" type="checkbox"/> Further documents are listed in the continuation of Box C.		
<input checked="" type="checkbox"/> See patent family annex.		
* Special categories of cited documents :		
"A" document defining the general state of the art which is not considered to be of particular relevance		"T" later document published after the international filing date or priority date and not in conflict with the application but cited to understand the principle or theory underlying the invention
"E" earlier application or patent but published on or after the international filing date		"X" document of particular relevance; the claimed invention cannot be considered novel or cannot be considered to involve an inventive step when the document is taken alone
"L" document which may throw doubts on priority claim(s) or which is cited to establish the publication date of another citation or other special reason (as specified)		"Y" document of particular relevance; the claimed invention cannot be considered to involve an inventive step when the document is combined with one or more other such documents, such combination being obvious to a person skilled in the art
"O" document referring to an oral disclosure, use, exhibition or other means		"&" document member of the same patent family
"P" document published prior to the international filing date but later than the priority date claimed		
Date of the actual completion of the international search 12 September 2014		Date of mailing of the international search report 22/09/2014
Name and mailing address of the ISA/ European Patent Office, P.B. 5818 Patentlaan 2 NL - 2280 HV Rijswijk Tel. (+31-70) 340-2040, Fax: (+31-70) 340-3016		Authorized officer Sabbah, Yaniv

INTERNATIONAL SEARCH REPORT

International application No PCT/US2014/026407

C(Continuation). DOCUMENTS CONSIDERED TO BE RELEVANT

Category*	Citation of document, with indication, where appropriate, of the relevant passages	Relevant to claim No.
A	WO 95/27249 A1 (INTEL CORP [US]) 12 October 1995 (1995-10-12) abstract page 13, line 6 - line 13 page 21, line 13 - line 15 page 43, line 12 - page 44, line 17 page 47, line 15 - page 48, line 4 figure 1 <p align="center">-----</p>	1-15

INTERNATIONAL SEARCH REPORT

Information on patent family members

International application No

PCT/US2014/026407

Patent document cited in search report	Publication date	Publication date	Patent family member(s)	Publication date
US 2003188217	A1	02-10-2003	NONE	

US 6400195	B1	04-06-2002	NONE	

US 6304981	B1	16-10-2001	NONE	

WO 9527249	A1	12-10-1995	AU 2237995 A	23-10-1995
			CN 1149343 A	07-05-1997
			CN 1516012 A	28-07-2004
			DE 69518745 D1	12-10-2000
			DE 69518745 T2	12-07-2001
			EP 0754321 A1	22-01-1997
			JP 4156663 B2	24-09-2008
			JP H10501907 A	17-02-1998
			US 6125390 A	26-09-2000
			WO 9527249 A1	12-10-1995
