



US00D658784S

(12) **United States Design Patent**
Trudel

(10) **Patent No.:** **US D658,784 S**

(45) **Date of Patent:** **** May 1, 2012**

(54) **FLOOR PLANK**

(75) Inventor: **Pierre Trudel**,
Notre-Dame-du-Mont-Carmel (CA)

(73) Assignee: **René ST-CYR (1996) Inc.**,
Notre-Dame-du-Mont-Carmel (CA)

(**) Term: **14 Years**

(21) Appl. No.: **29/407,806**

(22) Filed: **Dec. 2, 2011**

Related U.S. Application Data

(62) Division of application No. 29/335,480, filed on Apr. 16, 2009.

(51) **LOC (9) Cl.** **25-01**

(52) **U.S. Cl.** **D25/119; D25/138**

(58) **Field of Classification Search** D25/145,
D25/150, 157, 158, 163, 138, 113, 119; 52/306,
52/311.1, 311.2, 314, 316, 390, 384, 392,
52/403.1, 386, 391, 605, 602, 579, 588.1,
52/591.4, 600; 428/38, 50, 49, 106; 404/34,
404/39, 42, 46, 41, 50

See application file for complete search history.

(56) **References Cited**

U.S. PATENT DOCUMENTS

2,289,634	A *	7/1942	Dieter	52/597
2,316,232	A *	4/1943	Fischer	52/309.13
5,797,237	A *	8/1998	Finkell, Jr.	52/589.1
D406,360	S *	3/1999	Finkell, Jr.	D25/138
D449,119	S *	10/2001	Kulik	D25/138
D449,120	S *	10/2001	Kulik	D25/138
6,324,809	B1 *	12/2001	Nelson	52/592.2
6,397,548	B1 *	6/2002	Martin et al.	52/592.4
6,421,970	B1 *	7/2002	Martensson et al.	52/282.1

6,526,719	B2 *	3/2003	Pletzer et al.	52/592.2
6,581,351	B2 *	6/2003	DeVivi	52/592.1
6,606,834	B2 *	8/2003	Martensson et al.	52/578
D486,592	S *	2/2004	Hong	D25/138
D487,316	S *	3/2004	Suwanda et al.	D25/138
D487,317	S *	3/2004	Guertin	D25/138
D519,651	S *	4/2006	Simic	D25/138
D523,970	S *	6/2006	Lapp et al.	D25/138
7,137,229	B2 *	11/2006	Pervan	52/313
7,155,871	B1 *	1/2007	Stone et al.	52/591.4
7,188,456	B2 *	3/2007	Knauseder	52/592.1
D556,346	S *	11/2007	Schulte	D25/138
7,322,159	B2 *	1/2008	Stone et al.	52/741.3
7,441,384	B2 *	10/2008	Miller et al.	52/589.1
D603,066	S *	10/2009	Warren et al.	D25/138
7,926,239	B2 *	4/2011	Hahn et al.	52/592.1
D642,287	S *	7/2011	Poland	D25/119
7,980,043	B2 *	7/2011	Moebus	52/588.1

(Continued)

Primary Examiner — Mark Goodwin

(74) *Attorney, Agent, or Firm* — Norton Rose Canada LLP

(57) **CLAIM**

The ornamental design for a floor plank, as shown and described.

DESCRIPTION

FIG. 1 is a perspective view of the floor plank of the present design;

FIG. 2 is a first end view of the floor plank of FIG. 1, the second opposed end view of the floor plank being identical to the first end view;

FIG. 3 is a first side view of the floor plank of FIG. 1;

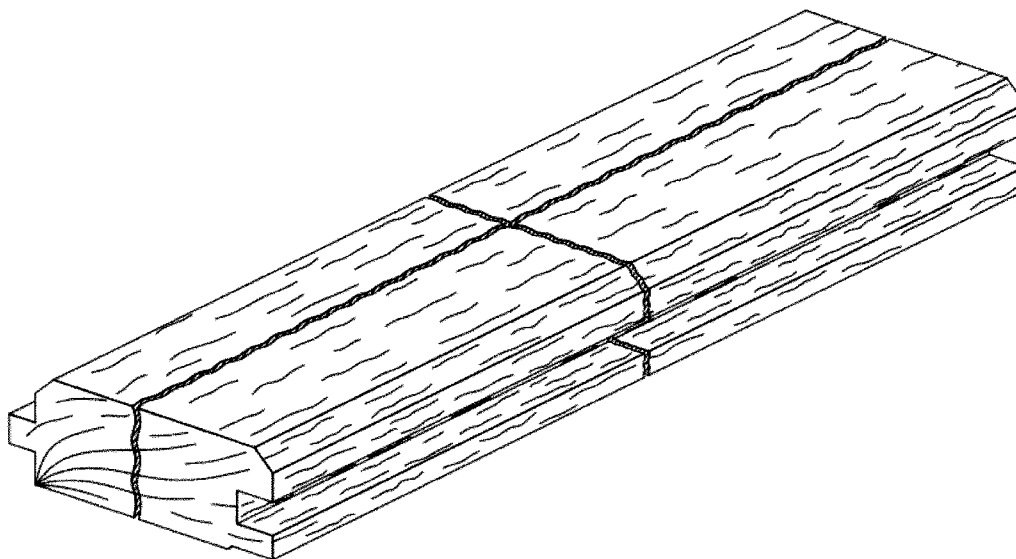
FIG. 4 is a second side view of the floor plank of FIG. 1;

FIG. 5 is a top view of the floor plank of FIG. 1; and,

FIG. 6 is a bottom view of the floor plank of FIG. 1.

The wavy lines shown on the figures are disclosed to shown indeterminate length and width of the claimed design.

1 Claim, 4 Drawing Sheets



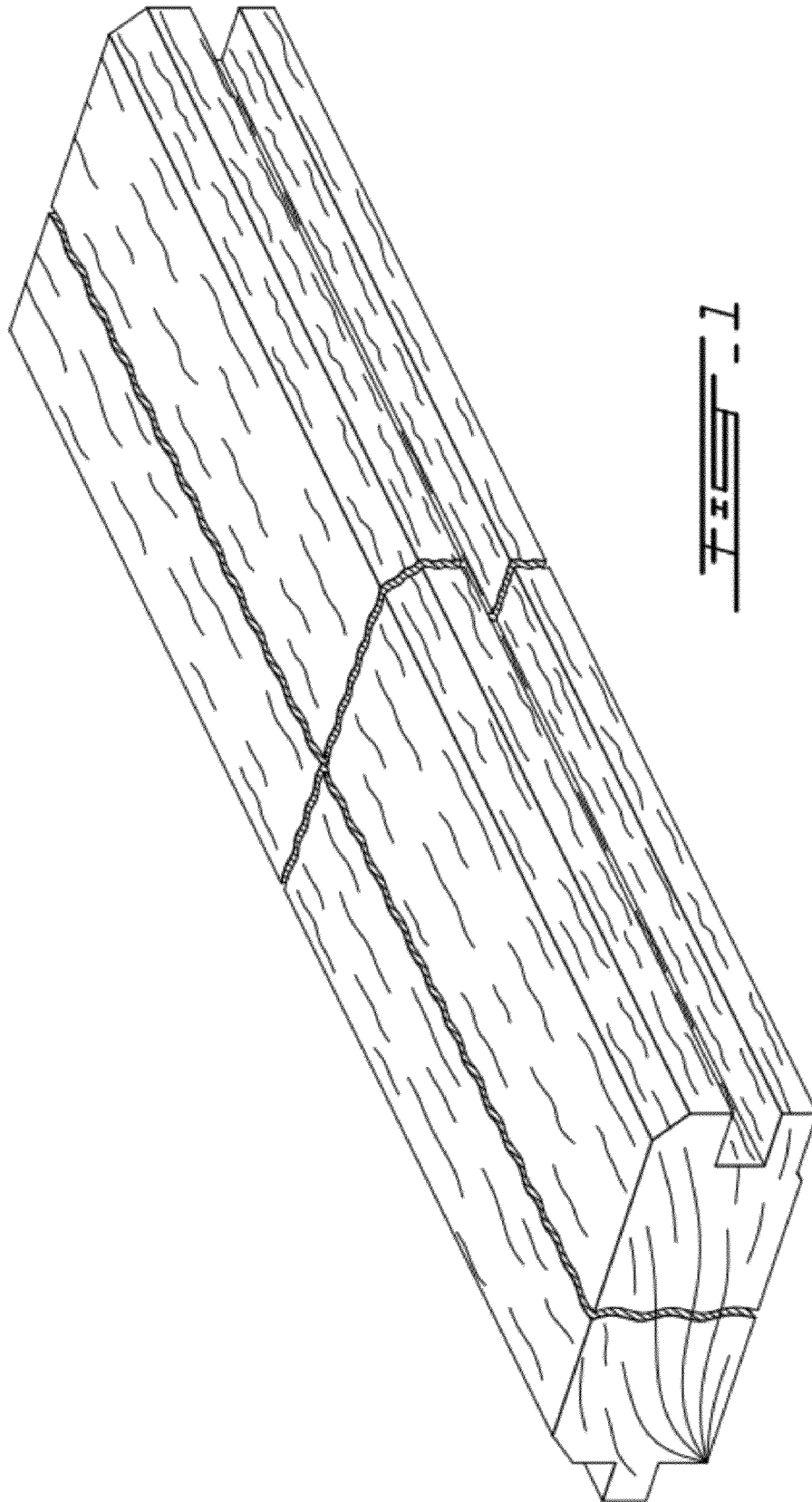
US D658,784 S

Page 2

U.S. PATENT DOCUMENTS

2002/0095894	A1 *	7/2002	Pervan	52/391	2004/0216418	A1 *	11/2004	Stanchfield	52/589.1
2002/0170258	A1 *	11/2002	Schwitte et al.	52/592.1	2005/0076598	A1 *	4/2005	Lewark	52/591.4
2003/0041545	A1 *	3/2003	Stanchfield	52/592.1	2005/0241255	A1 *	11/2005	Kim	52/591.4
2003/0101674	A1 *	6/2003	Pervan et al.	52/592.1	2006/0010820	A1 *	1/2006	Schwitte et al.	52/592.1
2003/0154681	A1 *	8/2003	Pletzer et al.	52/578	2007/0022695	A1 *	2/2007	Magnusson	52/592.1
2003/0205017	A1 *	11/2003	Palmberg	52/592.1	2008/0010938	A1 *	1/2008	Hannig	52/591.4
2003/0208980	A1 *	11/2003	Miller et al.	52/592.1	2008/0148674	A1 *	6/2008	Thiers et al.	52/592.1
2004/0035078	A1 *	2/2004	Pervan	52/589.1	2008/0295438	A1 *	12/2008	Knauseder	52/589.1
2004/0168392	A1 *	9/2004	Konzelmann et al.	52/589.1	2009/0077919	A1 *	3/2009	Fam	52/592.1
2004/0177584	A1 *	9/2004	Pervan	52/589.1					

* cited by examiner



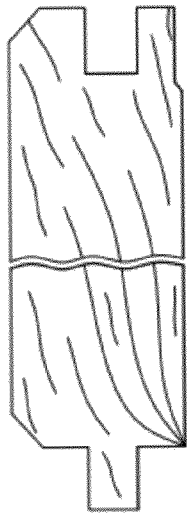


FIG. 2

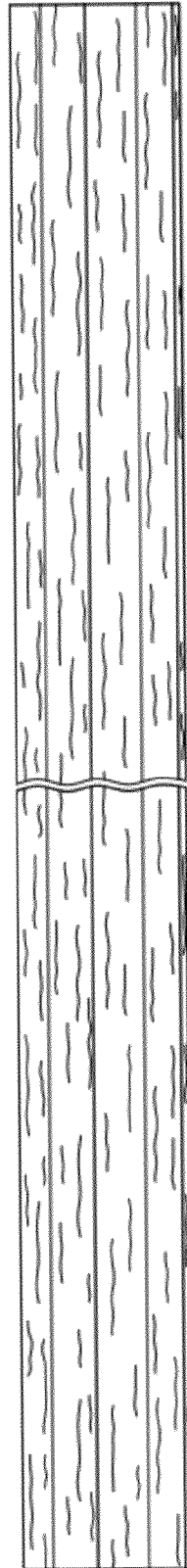


FIG. 3

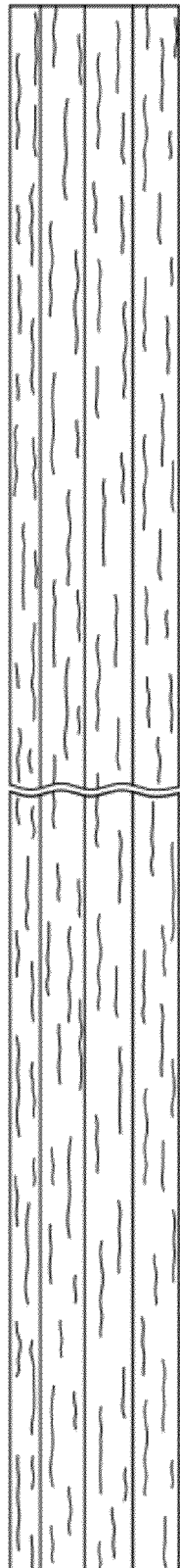


FIG. 4

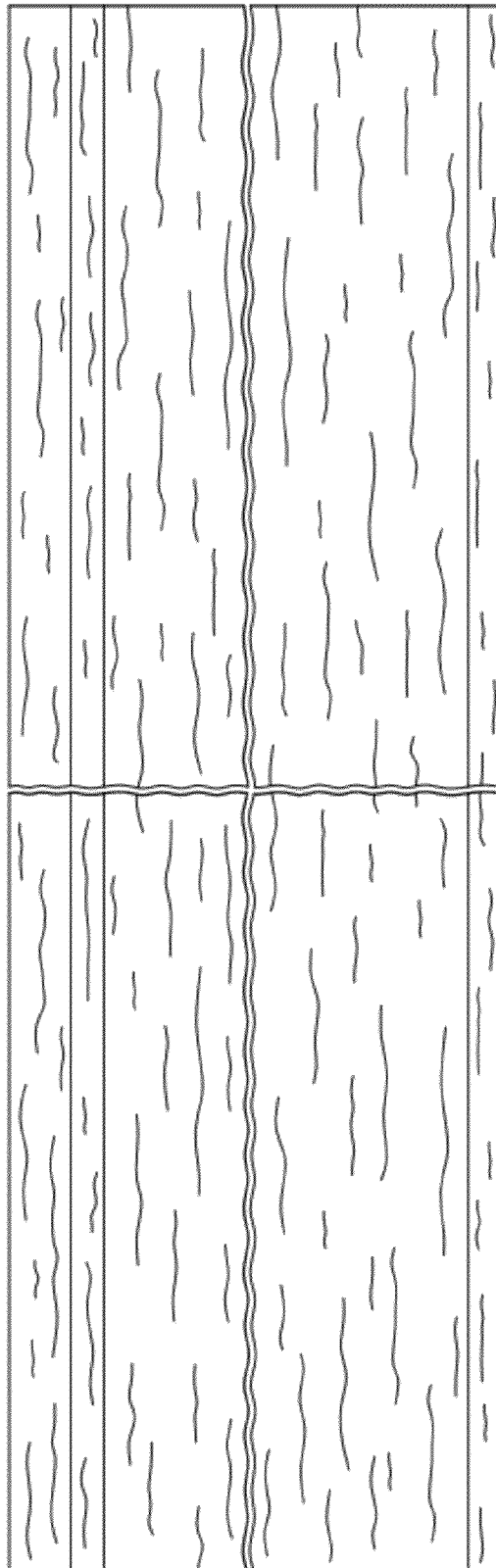


FIG. 5

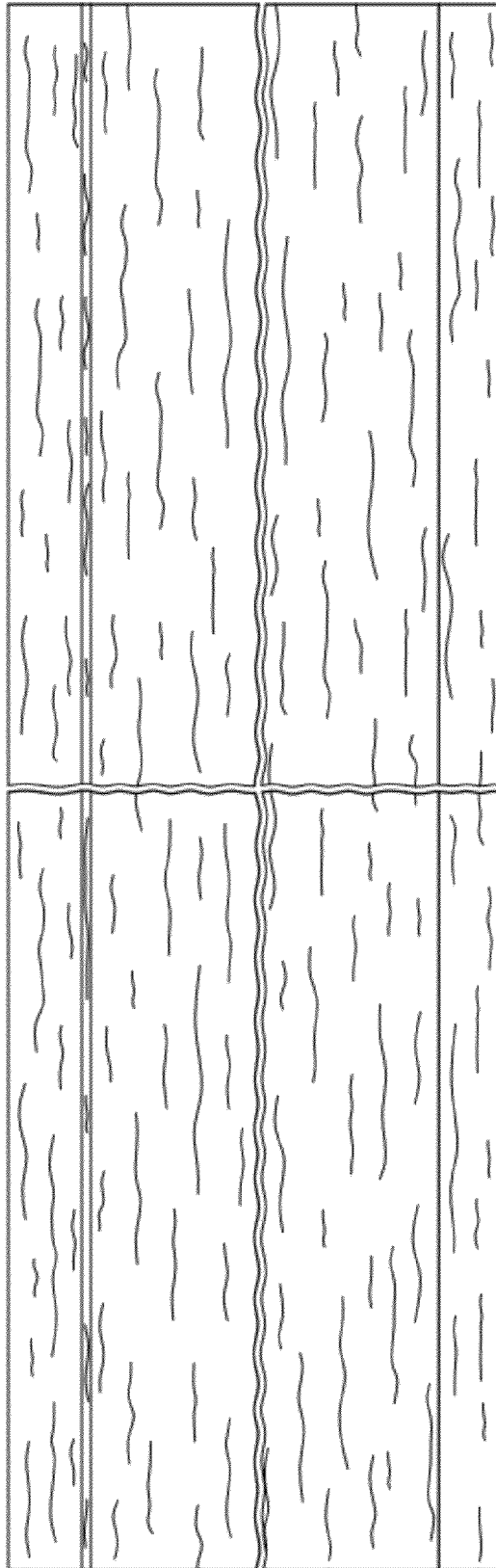


FIG. 6