



US00D415338S

United States Patent [19] Phillips

[11] Patent Number: Des. 415,338

[45] Date of Patent: ** Oct. 19, 1999

[54] TRANSPARENT FILLABLE PLATFORM SHOE

3,925,915	12/1975	Colli	36/11.5
4,150,499	4/1979	Wang	36/11.5
4,297,798	11/1981	Colan	36/11.5

[76] Inventor: **Lori J. Phillips**, 3319 E. University Dr., Mesa, Ariz. 85213

[**] Term: **14 Years**

[21] Appl. No.: **29/090,231**

[22] Filed: **Jul. 3, 1998**

FOREIGN PATENT DOCUMENTS

730844 5/1932 France D2/916

Primary Examiner—Celia Murphy
Attorney, Agent, or Firm—Richard R. Mybeck

Related U.S. Application Data

[63] Continuation of application No. 29/066,753, Feb. 20, 1997.

[51] **LOC (6) Cl.** **02-04**

[52] **U.S. Cl.** **D2/927**

[58] **Field of Search** D2/916-927, 928;
36/11.5, 25 R

[57] CLAIM

The ornamental design for a transparent fillable platform shoe, as shown and described.

DESCRIPTION

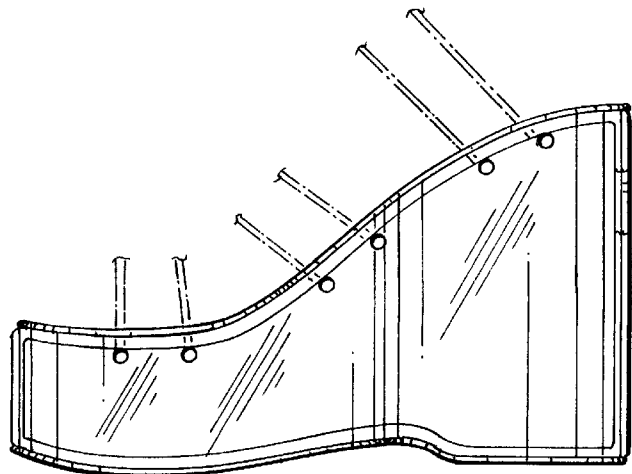
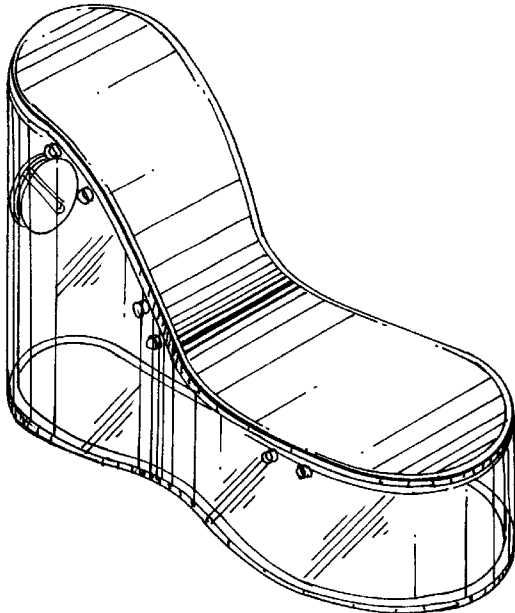
FIG. 1 is a perspective view from the upper right front of a platform shoe showing my new design;
FIG. 2 is a top plan thereof;
FIG. 3 is a bottom plan thereof;
FIG. 4 is a front elevational view thereof;
FIG. 5 is a rear elevational view thereof; and,
FIG. 6 is a left side elevation thereof, the broken lines showing the shoelaces being for illustrative purposes only and forming no part of the claimed design.

[56] References Cited

U.S. PATENT DOCUMENTS

D. 178,809	9/1956	Santisi	D2/927
2,381,389	8/1945	Riesing	36/11.5
2,395,767	2/1946	Sutcliffe	36/11.5
2,469,708	5/1949	Alexander	36/11.5

1 Claim, 1 Drawing Sheet



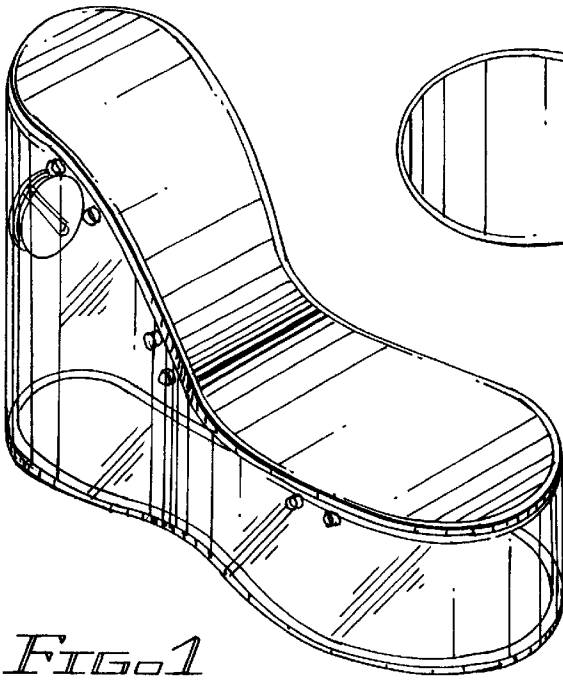


FIG. 1

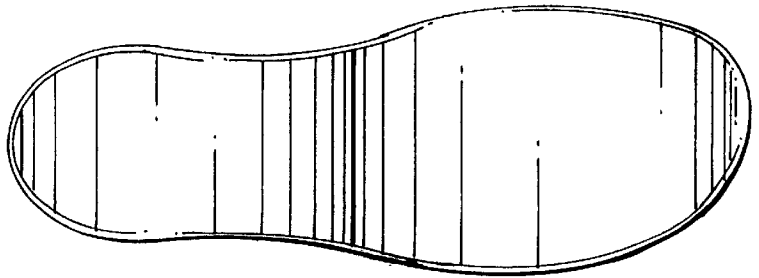


FIG. 2

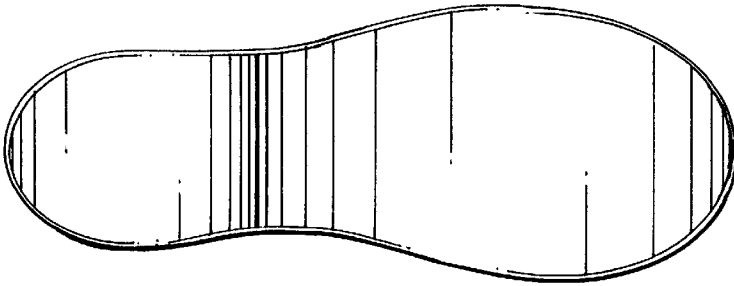


FIG. 3

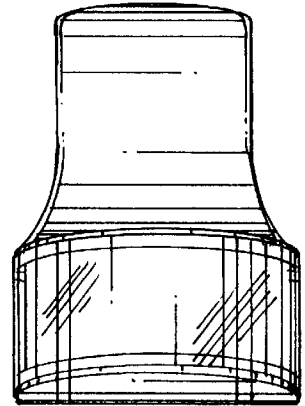


FIG. 4

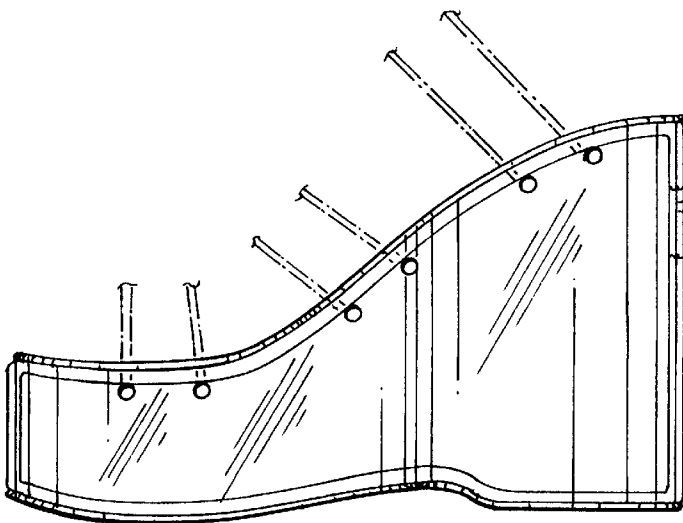


FIG. 6

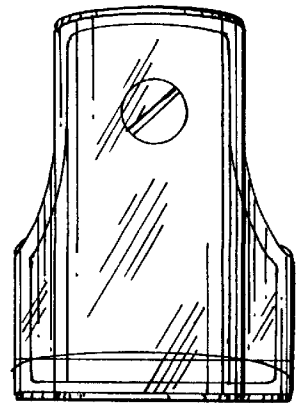


FIG. 5