



US0D1069016S

(12) **United States Design Patent**
Kielsmeier et al.

(10) **Patent No.:** **US D1,069,016 S**
(45) **Date of Patent:** **** Apr. 1, 2025**

(54) **FOLDING GUN**

FOREIGN PATENT DOCUMENTS

(71) Applicant: **Magpul Industries Corp.**, Austin, TX (US)

CA 2970349 A1 6/2015
CA 3025163 A1 12/2017

(Continued)

(72) Inventors: **Nicholas Kielsmeier**, Denver, CO (US);
Brian L. Nakayama, Arvada, CO (US);
Jeremy M. Fiester, Lafayette, CO (US);
Michael T. Mayberry, Denver, CO (US)

OTHER PUBLICATIONS

FDP-9 FDC-9, Magpul Online Product Page. Earliest Publication Date: Jan. 15, 2021. Date Accessed: May 8, 2024. Retrieved from Internet URL: <https://magpul.com/fdp-fdc> (Year: 2021).*

(Continued)

(73) Assignee: **Magpul Industries Corp.**, Austin, TX (US)

Primary Examiner — S. Bryan Reinholdt, Jr.

Assistant Examiner — Kaitlan Walker

(**) Term: **15 Years**

(74) *Attorney, Agent, or Firm* — NOD Law, P.C.

(21) Appl. No.: **29/786,817**

(57) **CLAIM**

The ornamental design for a folding gun, as shown and described.

(22) Filed: **Jun. 2, 2021**

(51) **LOC (15) Cl.** **22-01**

(52) **U.S. Cl.**
USPC **D22/104**; D14/418; D21/572; D21/573;
D21/574

DESCRIPTION

FIG. 1 is a front left top perspective view of the folding gun in a deployed configuration;

FIG. 2 is a front view of the folding gun in FIG. 1;

FIG. 3 is a rear view of the folding gun in FIG. 1;

FIG. 4 is a right side view of the folding gun in FIG. 1;

FIG. 5 is a left side view of the folding gun in FIG. 1;

FIG. 6 is a top view of the folding gun in FIG. 1;

FIG. 7 is a bottom view of the folding gun in FIG. 1;

FIG. 8 is a rear right bottom perspective view of the folding gun in FIG. 1; and,

FIG. 9 is a front left top perspective view of the folding gun in a folded configuration.

The shade lines in the figures show contour and not surface ornamentation.

The broken lines showing portions of the design in all figures are included for the purpose of illustrating environment and do not form a part of the claimed design.

(58) **Field of Classification Search**

USPC D14/418; D21/324, 572, 573, 574, 575;
D22/103, 104, 105, 199

CPC F41C 23/04; F41C 23/12
See application file for complete search history.

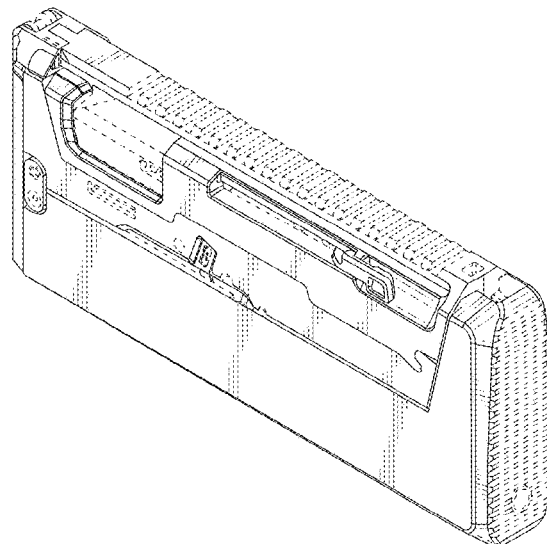
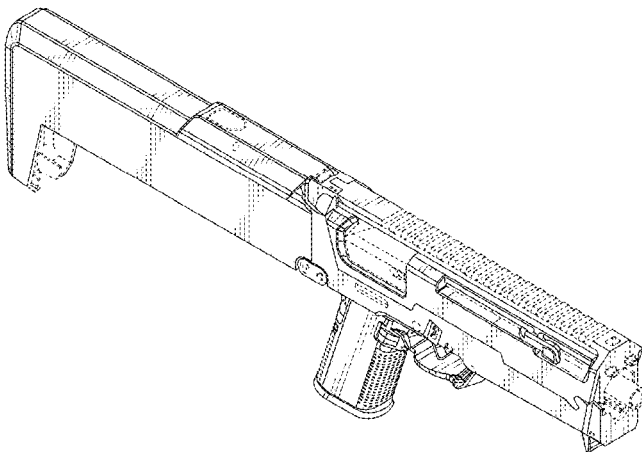
(56) **References Cited**

U.S. PATENT DOCUMENTS

1,059,405 A	4/1913	Sprague
1,454,454 A	5/1923	Rosier
3,619,930 A	11/1971	Beermann et al.
3,979,850 A	9/1976	Schiessl et al.
4,271,623 A	6/1981	Beretta
4,299,046 A	11/1981	Atchisson
4,539,889 A	9/1985	Glock
4,625,621 A	12/1986	Warin

(Continued)

1 Claim, 7 Drawing Sheets



(56)

References Cited

U.S. PATENT DOCUMENTS

4,640,036	A *	2/1987	Gal	F41C 23/00 D22/104	8,661,722	B2	3/2014	Dionne et al.
4,689,908	A	9/1987	McClellan		8,667,882	B1	3/2014	Larson et al.
4,735,007	A *	4/1988	Gal	F41C 23/00 D22/104	8,667,883	B1	3/2014	Larson et al.
4,825,744	A	5/1989	Glock		8,819,978	B2	9/2014	Lee
4,893,546	A	1/1990	Glock		8,863,632	B1	10/2014	O'Malley
5,088,222	A	2/1992	Larson		8,887,432	B2	11/2014	Oz
5,293,708	A	3/1994	Strayer et al.		8,899,138	B2	12/2014	Brown
5,305,539	A	4/1994	Kuster		8,935,871	B2	1/2015	Bardy
5,483,766	A	1/1996	Hochstrate et al.		8,960,066	B2	2/2015	Gomez
5,669,169	A	9/1997	Schmitter et al.		8,966,797	B2	3/2015	Carlson
5,671,560	A	9/1997	Meller		8,997,620	B2	4/2015	Brown
5,717,156	A	2/1998	Lenkarski		9,021,734	B2	5/2015	Voigt
5,758,524	A	6/1998	Yu		9,074,831	B2	7/2015	Glock
6,212,812	B1	4/2001	Aigner		9,146,065	B2	9/2015	Lee
6,234,058	B1	5/2001	Morgado		9,188,400	B2	11/2015	Crouse
6,234,059	B1	5/2001	Fuchs et al.		9,222,738	B2	12/2015	Asher et al.
6,253,479	B1	7/2001	Fuchs et al.		9,222,745	B2	12/2015	Kallio
6,257,116	B1	7/2001	Moczjdlower et al.		9,239,207	B2	1/2016	Kresser
6,260,301	B1	7/2001	Aigner et al.		9,273,927	B2	3/2016	Bondhus et al.
6,354,032	B1	3/2002	Viani		9,291,416	B2	3/2016	Wurkner
6,357,157	B1	3/2002	Constant et al.		9,297,613	B2	3/2016	Maentymaa
6,401,379	B1	6/2002	Moon		9,303,936	B2	4/2016	Toner
6,421,944	B1	7/2002	Klebes et al.		9,341,425	B2	5/2016	Carlson
6,470,617	B1	10/2002	Gregory et al.		9,377,260	B2	6/2016	Locher et al.
6,513,273	B2	2/2003	da Silveira		9,383,153	B2	7/2016	Nebeker et al.
6,560,909	B2	5/2003	Cominolli		9,435,598	B2	9/2016	Seckman
6,718,680	B2	4/2004	Roca et al.		9,441,897	B2	9/2016	Mather et al.
6,789,342	B2	9/2004	Wonisch et al.		9,448,023	B2	9/2016	Sheets, Jr. et al.
6,843,013	B2	1/2005	Cutini		9,625,227	B2	4/2017	Lee
6,865,979	B1	3/2005	Vaid		9,677,836	B2	6/2017	Lee
7,204,051	B2	4/2007	Thomele et al.		9,714,804	B2	7/2017	Singh
7,213,359	B2	5/2007	Beretta		9,726,449	B2	8/2017	Spinner et al.
7,234,261	B2	6/2007	McGarry		9,733,030	B2	8/2017	Daniel et al.
7,243,453	B2	7/2007	McGarry		9,739,549	B2	8/2017	Kincel
7,357,058	B1	4/2008	Olcott		9,810,497	B2	11/2017	Carlson
7,383,657	B2	6/2008	Pikielny		9,829,262	B1	11/2017	Suttie et al.
7,472,507	B2	1/2009	Curry et al.		9,835,411	B2	12/2017	Larson, Jr. et al.
7,500,327	B2	3/2009	Bubits		9,857,134	B1	1/2018	Karfiol et al.
7,600,340	B2	10/2009	Curry et al.		9,909,826	B2	3/2018	Kincel
7,703,230	B2	4/2010	Curry et al.		9,927,200	B2	3/2018	Kuracina
7,726,059	B2	6/2010	Pikielny		9,945,629	B2	4/2018	Osborne
7,739,821	B1	6/2010	Hamme		9,970,726	B1	5/2018	Hubert et al.
7,810,268	B1	10/2010	McGarry		10,006,728	B2	6/2018	Bailey
7,810,269	B2	10/2010	Zukowski et al.		10,012,461	B2	7/2018	Curry
7,900,546	B2	3/2011	Bordson		10,030,924	B1	7/2018	Smith
7,941,954	B2	5/2011	Carr et al.		10,030,927	B1	7/2018	Theiss
7,941,956	B2	5/2011	Carr et al.		10,054,393	B2 *	8/2018	Kedairy F41C 23/12
7,941,957	B2	5/2011	Carr et al.		10,060,693	B2	8/2018	Bubits
8,006,425	B2	8/2011	Burt et al.		D832,388	S	10/2018	McNally et al.
8,033,043	B2	10/2011	McGarry		10,113,822	B1	10/2018	Hobush
8,051,594	B2	11/2011	Carr et al.		10,119,777	B2	11/2018	Wolf et al.
D650,035	S *	12/2011	Lindsay	D22/103	10,126,079	B2	11/2018	Voigt
8,127,481	B2	3/2012	Rozum et al.		10,126,086	B2	11/2018	Smith
8,132,496	B2	3/2012	Zukowski		10,139,177	B2	11/2018	Giesen
8,156,677	B2	4/2012	Glock		10,151,556	B2	12/2018	Kjellberg
8,196,328	B2	6/2012	Simpkins		10,156,421	B2	12/2018	Smith et al.
8,266,998	B1	9/2012	Davis		10,161,709	B1	12/2018	Wright
8,276,302	B2	10/2012	Zukowski		10,175,019	B1	1/2019	Al-Mutawa
8,296,990	B2	10/2012	Zukowski et al.		10,184,736	B2	1/2019	Fumia et al.
D672,835	S *	12/2012	Donnelly	D22/103	10,209,019	B2	2/2019	Dechant
8,333,028	B1	12/2012	Karfiol et al.		10,240,880	B1	3/2019	Viani
8,333,142	B1	12/2012	Karfiol et al.		10,254,059	B1	4/2019	Fellows et al.
D674,456	S *	1/2013	Donnelly	D22/103	10,274,276	B2	4/2019	Full
8,356,537	B2	1/2013	Kincel		D849,869	S	5/2019	Kielsmeier et al.
8,448,366	B2	5/2013	Faifer		10,288,369	B2	5/2019	Albury
8,464,455	B2	6/2013	Kallio		10,309,742	B1	6/2019	Viani
8,468,732	B2	6/2013	Young		10,352,635	B2	7/2019	Noonan
8,510,980	B2	8/2013	Lee		10,359,247	B1	7/2019	Ballard
8,539,871	B1	9/2013	Burt et al.		10,359,250	B2	7/2019	Carlson
8,549,780	B2	10/2013	Emde et al.		10,365,059	B2	7/2019	Sroufe et al.
8,567,301	B1	10/2013	Sharron		10,371,474	B2	8/2019	Young
8,650,789	B2	2/2014	Dionne et al.		10,378,847	B2	8/2019	Folk et al.
8,650,790	B2	2/2014	Dionne et al.		10,393,456	B1	8/2019	Beardsley
					10,415,905	B2	9/2019	Bubits
					10,415,916	B2	9/2019	Cusano
					10,422,602	B2	9/2019	Theiss
					10,443,971	B2	10/2019	Kielsmeier et al.
					10,451,369	B1	10/2019	Hunt et al.
					10,488,132	B2	11/2019	Full

(56)

References Cited

U.S. PATENT DOCUMENTS

10,551,142 B1 2/2020 Wright
 10,551,143 B2 2/2020 Kielsmeier et al.
 10,578,382 B1 3/2020 Melnikov
 D882,704 S * 4/2020 Iwasawa D21/573
 10,612,870 B2 4/2020 Borges et al.
 10,612,887 B1 4/2020 Kielsmeier et al.
 10,619,960 B2 4/2020 Cross
 10,627,189 B2 4/2020 Faifer
 10,641,567 B2 5/2020 Weilharter
 10,641,568 B2 5/2020 Zinsner et al.
 10,655,925 B2 5/2020 Carr
 10,663,243 B2 5/2020 Timmons
 10,663,245 B2 5/2020 Folk et al.
 10,677,551 B2 6/2020 Drake
 10,690,428 B1 6/2020 Vestbom et al.
 10,697,721 B2 6/2020 Kincel
 10,697,724 B2 6/2020 Cochran et al.
 10,704,851 B1 7/2020 Redillo
 10,704,860 B2 7/2020 Hall
 10,718,585 B2 7/2020 Ballard
 10,739,090 B2 8/2020 Borges et al.
 10,753,694 B2 8/2020 Unger
 10,760,874 B2 9/2020 Kjellberg
 10,794,646 B2 10/2020 Fellows et al.
 10,794,661 B2 10/2020 Irvin et al.
 10,823,517 B1 11/2020 Brandly et al.
 10,830,557 B2 * 11/2020 Faifer F41C 23/12
 10,837,727 B2 11/2020 Lee
 10,845,156 B1 11/2020 Fortin
 10,871,344 B2 12/2020 Brown, Jr.
 10,871,345 B2 12/2020 Faifer
 10,876,806 B2 12/2020 Lee
 10,876,814 B1 12/2020 Visser
 10,895,428 B2 1/2021 Sessions et al.
 10,900,741 B2 1/2021 Kielsmeier et al.
 10,928,159 B2 2/2021 Vanek et al.
 10,955,209 B2 3/2021 Wolf et al.
 10,962,313 B2 3/2021 Noonan et al.
 10,996,011 B2 5/2021 McCallum et al.
 11,022,386 B2 6/2021 Muska
 11,029,109 B2 6/2021 Golan
 11,029,110 B2 6/2021 Curry et al.
 11,118,860 B2 * 9/2021 Zimmer F41A 35/02
 11,215,413 B2 * 1/2022 Satzinger F41C 7/00
 11,306,996 B2 * 4/2022 Porat F41G 1/06
 11,441,869 B2 * 9/2022 Zimmer F41C 23/04
 11,460,267 B2 * 10/2022 Faifer F41A 3/72
 2008/0060247 A1 3/2008 Thomele et al.
 2009/0064556 A1 3/2009 Fluhr et al.
 2009/0071053 A1 3/2009 Thomele et al.
 2009/0277066 A1 11/2009 Burt et al.
 2011/0107644 A1 * 5/2011 Faifer F41C 23/12
 42/75.02
 2011/0107648 A1 5/2011 Tuz
 2012/0006188 A1 1/2012 Kincel
 2012/0174454 A1 7/2012 Kallio
 2012/0180647 A1 7/2012 Dublin
 2013/0111795 A1 5/2013 Dionne et al.
 2013/0111796 A1 5/2013 Dionne et al.
 2013/0174457 A1 7/2013 Gangl et al.
 2014/0060293 A1 3/2014 Gomez
 2014/0075816 A1 3/2014 Larson et al.
 2014/0150316 A1 6/2014 Acarreta
 2015/0276344 A1 * 10/2015 DenBleyker F41C 23/20
 42/94
 2015/0316346 A1 11/2015 Brandt
 2016/0178298 A1 6/2016 Daniel et al.
 2016/0187090 A1 6/2016 Mather et al.
 2016/0265872 A1 * 9/2016 Tarazi F41A 9/65
 2017/0045329 A1 2/2017 Turnington
 2017/0131052 A1 5/2017 Voigt
 2017/0321980 A1 11/2017 Wolf
 2017/0336160 A1 11/2017 Walther et al.
 2017/0356710 A1 12/2017 Full
 2018/0142976 A1 5/2018 Full

2018/0195820 A1 7/2018 Noonan
 2018/0224233 A1 8/2018 Macy
 2018/0224234 A1 8/2018 Macy
 2018/0372437 A1 12/2018 Hudson, III
 2019/0011207 A1 1/2019 Al-Mutawa
 2019/0024996 A1 1/2019 Borges et al.
 2019/0033025 A1 1/2019 Wolf et al.
 2019/0033027 A1 1/2019 Voigt
 2019/0041158 A1 2/2019 Kjellberg
 2019/0154368 A1 5/2019 Kim et al.
 2019/0170463 A1 6/2019 Walther et al.
 2019/0195595 A1 * 6/2019 Kielsmeier F41C 23/04
 2019/0226783 A1 7/2019 Full
 2019/0257602 A1 8/2019 Reynolds
 2019/0310036 A1 10/2019 Lucansk
 2019/0323795 A1 10/2019 Zimmer
 2020/0056853 A1 2/2020 Singh
 2020/0080802 A1 3/2020 Jennings
 2020/0080805 A1 3/2020 Headrick et al.
 2020/0088493 A1 3/2020 Kielsmeier et al.
 2020/0103191 A1 4/2020 Macy
 2020/0132413 A1 4/2020 Laing et al.
 2020/0141677 A1 5/2020 Deaza
 2020/0158463 A1 5/2020 Samson et al.
 2020/0191509 A1 6/2020 Young
 2020/0191510 A1 6/2020 Sessions et al.
 2020/0191512 A1 6/2020 Lee
 2020/0191514 A1 6/2020 Lee
 2020/0191520 A1 6/2020 Kielsmeier et al.
 2020/0217604 A1 7/2020 Borges et al.
 2020/0232734 A1 7/2020 Herring et al.
 2020/0278171 A1 9/2020 Peknik
 2020/0318922 A1 10/2020 Curry et al.
 2020/0348104 A1 11/2020 Chambers
 2020/0363154 A1 11/2020 Lake
 2020/0370850 A1 11/2020 O'Clair
 2021/0033363 A1 2/2021 Regan
 2021/0041208 A1 2/2021 Muska
 2021/0071977 A1 3/2021 Lee et al.
 2021/0080211 A1 3/2021 Barrett et al.
 2021/0102777 A1 4/2021 Kielsmeier et al.
 2021/0102778 A1 4/2021 Fortin
 2021/0116209 A1 4/2021 Faifer
 2021/0140738 A1 5/2021 Lynch
 2021/0156642 A1 5/2021 Kjellberg
 2021/0164752 A1 6/2021 Stewart et al.
 2021/0180897 A1 6/2021 Underwood et al.
 2021/0180910 A1 6/2021 Porat
 2021/0254927 A1 8/2021 Freeman et al.

FOREIGN PATENT DOCUMENTS

CA 2863316 C 3/2020
 CA 2908702 C 4/2021
 CN 111089511 A 5/2020
 CN 112066796 A 12/2020
 CZ 308750 B6 4/2021
 DE 102010054245 A1 6/2012
 DE 102018132757 A1 6/2020
 DE 102018132756 B4 10/2020
 EP 1924814 A1 5/2008
 EP 1870660 B1 12/2008
 EP 2171389 A 4/2010
 EP 2661599 A1 11/2013
 EP 2045561 B1 12/2014
 EP 2950033 A1 12/2015
 EP 2950033 B1 11/2016
 EP 2685202 B1 12/2018
 EP 3472549 A1 4/2019
 EP 3593079 A1 1/2020
 EP 3625513 3/2020
 EP 3449201 B1 4/2020
 EP 3737907 11/2020
 EP 3737907 A1 11/2020
 EP 3749910 A1 12/2020
 EP 3625513 A4 2/2021
 EP 3581872 B1 5/2021
 EP 3749910 6/2021
 ES 2545229 B1 3/2016

(56)

References Cited

FOREIGN PATENT DOCUMENTS

ES	2751696	T3	4/2020
ES	2770356	T3	7/2020
HK	1801338-0004	*	4/2019
HK	1801338-0005	*	4/2019
HK	1801338-0006	*	4/2019
HK	2119022-0001	*	3/2022
IL	272421	A	8/2020
JP	4996963	B2	8/2012
JP	1631139	S	5/2019
JP	D1717517	*	6/2022
KR	102220398	B1	2/2021
KR	301187086.0000	*	10/2022
TW	219594-0001	*	6/2022
WO	9521366	A1	8/1995
WO	2009048668	A1	4/2009
WO	2009051872	A2	4/2009
WO	2012018316	A1	2/2012
WO	2012094493	A1	7/2012
WO	2016125196	A1	8/2016
WO	2017044589	A1	3/2017
WO	2017136838	A1	8/2017
WO	2020152375	A1	7/2020
WO	2020190503	A1	9/2020
WO	2020264508	A1	12/2020
WO	2021040638	A1	3/2021

OTHER PUBLICATIONS

MagPul and Zev, Gunsweek Online Article. Earliest Publication Date: Jan. 19, 2021. Date Accessed: May 8, 2024. Retrieved from Internet URL: <https://gunsweek.com/en/pistols/news/magpul-and-zev-technologies-announce-fdp-9-and-fdc-9-legend-lives> (Year: 2021).*

Nicholas C., "Full Conceals Folding Glock Akin To Magpuls FMG9", Jul. 28, 2017, p. 7, Publisher: Retrieved from <https://www.thefirearmblog.com/blog/2017/07/28/full-conceals-folding-glock-akin-magpuls-fmg9/>.

Full Conceal Inc., "Full Conceal", Known to exist as early as Jun. 9, 2021, Publisher: Retrieved from <https://web.archive.org/web/20201030172807/https://www.fullconceal.com/>.

Pete, "Uncovered: Gen5 Glock 22 With Manual Safety in Sao Paulo Brazil", Jan. 19, 2018, p. 33, Publisher: Downloaded from <https://www.thefirearmblog.com/blog/2018/01/19/gen5-glock-22-sao-paulo/>.

Nicholas C., "A Closer Look At the Glock Thumb Safety", Nov. 2, 2018, p. 34, Publisher: Downloaded from <https://www.thefirearmblog.com/blog/2018/11/02/a-closer-look-at-the-glock-thumb-safety/>.

White, Phil, "Breaking: New Glock 19 MHS 9MM and Glock 23 MHS .40 S and W Photos", Jun. 27, 2017, p. 23, Publisher: Downloaded from <https://www.thefirearmblog.com/blog/2017/06/27/glock-19-mhs-23-mhs-photos/>.

Forgotten Weapons, "H&K G3: The Very First Import", Mar. 6, 2016, Publisher: Retrieved from <https://www.youtube.com/watch?v=LL9xsPJQgBo&t=519s>.

Wikipedia, "Heckler & Koch G36", Known to exist as early as Jun. 9, 2021, Publisher: Retrieved from https://en.wikipedia.org/wiki/Heckler_%26_Koch_G36.

McCollum, Ian, "Forgotten Weapons: the Folding Gun That was a Bit too Fancy", Jun. 9, 2016, Publisher: Retrieved from <https://www.popularmechanics.com/military/weapons/a21245/hotchkiss-universal-folding-gun/>.

Ideal Conceal, "Ideal Conceal", Known to exist as early as Jun. 9, 2021, Publisher: Retrieved from <https://www.idealconceal.com/>.

Keltec Weapons, "SU16 Series", Known to exist as early as Jun. 9, 2021, Publisher: Retrieved from <https://www.keltecweapons.com/firearms/rifles/su16/>.

Keltec Weapons, "SUB20000", Known to exist as early as Jun. 9, 2021, Publisher: Retrieved from <https://www.keltecweapons.com/firearms/rifles/sub2000/>.

Trailblazer Firearms, "Lifecard", Known to exist as early as Jun. 9, 2021, Publisher: Retrieved from <https://trailblazerfirearms.com/lifecard-gun/>.

Full Conceal, "M3D-AL Frame (Glock 19 Gen 3/4/5 Compatible)", Known to exist as early as Apr. 23, 2020, p. 2, Publisher: Retrieved from <https://www.fullconceal.com>.

Full Conceal, "M3D Handgun (Based On Glock 19 Gen 4)", Known to exist as early as Apr. 23, 2020, Apr. 23, 2020, p. 1, Publisher: Downloaded from <https://www.fullconceal.com>.

Full Conceal, "M3D-S6 Bare Frame", Known to exist as early as Apr. 30, 2020, Publisher: Retrieved from <https://www.fullconceal.com>.

Grab a Gun, "Full Conceal Viper With M3D Folding Glock Pistol 9MM 21RDS", Known to exist as early as Apr. 30, 2020, p. 11, Publisher: <https://grabagun.com/fc-viper-m3d-glock-19-9mm-21rd-blk.html>.

Full Conceal Inc., "M3MOD Shell", Known to exist as early as Feb. 22, 2020, Publisher: Retrieved from <https://web.archive.org/web/20200222195416/https://www.fullconceal.com/product-page/m3mod-shell/>.

Full Conceal, "M3S Handgun (Based On Glock 43)", Known to exist as early as Apr. 23, 2020, p. 2, Publisher: Retrieved from <https://www.fullconceal.com>.

Wikipedia, "Magpul FMG-9", Known to exist as early as Dec. 12, 2017, p. 1, Publisher: Retrieved from https://en.wikipedia.org/wiki/Magpul_FMG-9.

Wikipedia, "MP 40", Known to exist as early as Jun. 9, 2021, Publisher: Retrieved from https://en.wikipedia.org/wiki/MP_40.

North American Arms, "NAA-22LR-HG", Known to exist as early as Jun. 9, 2021, Publisher: Retrieved from <https://northamericanarms.com/shop/firearms/naa-22lr-hg/>.

Premier Arms, "Glock Safety Kits", Known to exist as early as Jul. 30, 2020, p. 7, Publisher: Downloaded premierarms.com/services/glock_safety_kits.

Eger, Chris, "Ruger AC556: the Totally Legal, Totally Select Fire Mini 14 (Video)", Mar. 10, 2014, Publisher: Retrieved from <https://www.guns.com/news/2014/03/10/ruger-ac556-totally-legal-totally-full-auto-mini-14-video>.

Wikipedia, "PP-90", Known to exist as early as Jun. 9, 2021, Publisher: Retrieved from <https://en.wikipedia.org/wiki/PP-90>.

Siderlock.com, "Siderlock", Known to exist as early as Apr. 20, 2020, Publisher: Retrieved from <http://www.siderlock.com/>.

Tarnhelm Supply Co., Inc., "Glock Manual Safety", Known to exist as early as Jul. 30, 2020, p. 2, Publisher: Downloaded from www.tarnhelm.com/GlockSafety.html.

Tau Development Group, "Striker Control Device", Known to exist as early as Apr. 20, 2020, p. 1, Publisher: Retrieved from <https://taudevgroup.myshopify.com/products/striker-control-device>.

Ten-Ring Precision, Inc., "Glock Pistol Work", Known to exist as early as Jul. 30, 2020, p. 6, Publisher: Retrieved from <https://tenring.com/glock-pistol-work-2/>.

Clipdraw, "Trigger Guard", Known to exist as early as Apr. 20, 2020, p. 3, Publisher: Retrieved from <https://www.clipdraw.com/glock-trigger-safety-products/>.

atfmachinegun.com, "UC-9 Folding Submachine Gun", May 16, 2019, Publisher: Retrieved from <https://www.atfmachinegun.com/blog/uc9>.

Office Action received for Korean Patent Application Serial No. 30-2021-0056012 dated Jun. 28, 2022 (4 pages including 2 pages of English translation).

Schwingel, Dirk, "Partial Supplementary European Search Report Regarding Application No. 18895647.8", Mar. 22, 2021, p. 13, Published in: EP.

Yukari Nakamura, "International Preliminary Report on Patentability for International Application No. PCT/US2018/066953", Jul. 9, 2020, p. 7, Published in: CH.

Young, Lee W., "International Search Report and Written Opinion Regarding International Application No. PCT/US2018/66953", May 3, 2019, p. 15, Published in: WO.

Tillman, Jr., Reginald, "Office Action Regarding U.S. Appl. No. 16/799,962", Jun. 24, 2020, p. 24, Published in: US.

Gruber, Stephen, "Response To Office Action Regarding U.S. Appl. No. 16/799,962", Sep. 22, 2020, p. 10, Published in: US.

(56)

References Cited

OTHER PUBLICATIONS

Eger, Chris, "4 Folding Submachine Guns We'd Love to Get Our Hands On", Aug. 8, 2017, p. 3, Publisher: Retrieved from <https://www.guns.com/news/2017/08/08/foldable-submachine-guns>.

Marconopolo, "870 Police Magnum—Overfolder (A.K.A. Sarah Connor Shotgun)", Dec. 5, 2012, Publisher: Retrieved from <https://www.youtube.com/watch?v=T8jptYUeSNY>.

Staff Writer, "The Ares Defense FMG Was a Novel, Concealable Submachine Gun Concept Developed To Protect High-Level Businessmen Overseas", May 12, 2021, Publisher: Retrieved from https://www.militaryfactory.com/smallarms/detail.php?smallarms_id=112.

Vining, Miles, "Thumb-Safety Glock", Known to exist as early as Jul. 30, 2020, p. 2, Publisher: Downloaded on Jul. 30, 2020 from <https://www.forgottenweapons.com/thumb-safety-glock/>.

NRA Museum, "Belgian Folding Trigger", Known to exist as early as Apr. 30, 2020.

McCollum, Ian, "Forgotten Weapons: the Burgess Folding Shotgun", Sep. 18, 2016, Publisher: Retrieved from <https://www.popularmechanics.com/military/weapons/a17376/folding-shotgun/>.

Chiappa Firearms, "Little Badger Rifle (Blued) 22LR/16.5 Inches BBL", Known to exist as early as Jun. 9, 2021, Publisher: Retrieved from <https://www.chiappafirearms.com/product.php?id=181>.

State of Guns, "Colt SCW: a Trailblazer for the Seals", Known to exist as early as Jun. 9, 2021, Publisher: Retrieved from <https://stateofguns.com/colt-scw-557/>.

Kirkpatrick, John, "Glock Manual Safety Kit By Cominolli Custom", Mar. 17, 2011, p. 6, Publisher: Downloaded on Jul. 30, 2020 from <https://www.usacarry.com/glock-manual-safety-kit-by-cominolli-custom/>.

Foldar, "Foldar", Known to exist as early as Jun. 9, 2021, Publisher: Retrieved from <https://www.foldar.com/>.

Wikipedia, "Franchi SPAS-12", Known to exist as early as Jun. 9, 2021, Publisher: Retrieved from https://en.wikipedia.org/wiki/Franchi_SPAS-12.

* cited by examiner

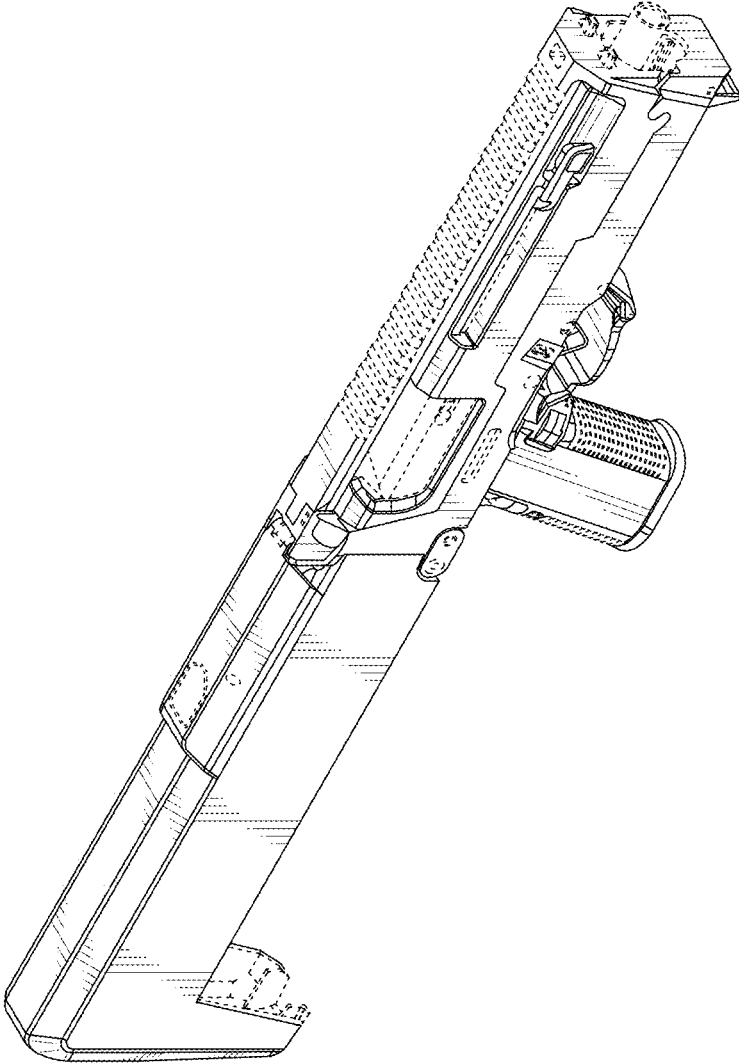


FIG. 1

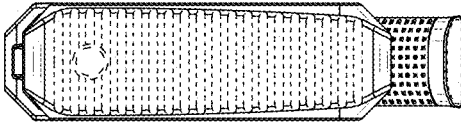


FIG. 3

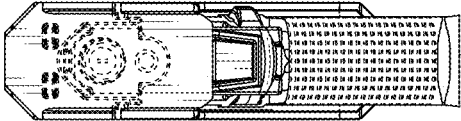


FIG. 2

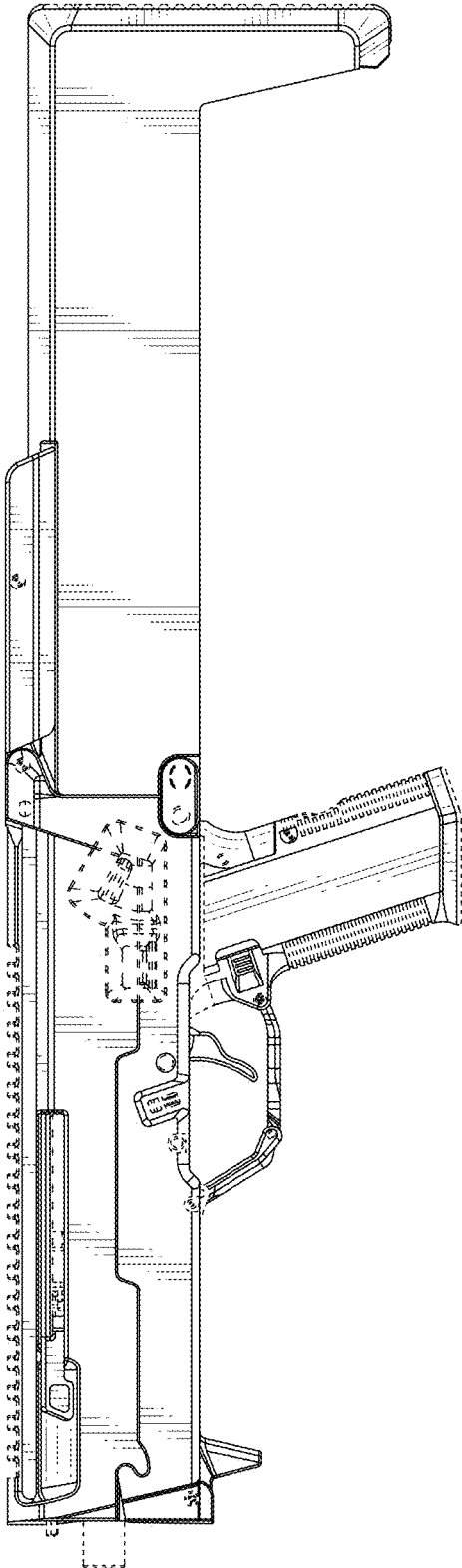


FIG. 4

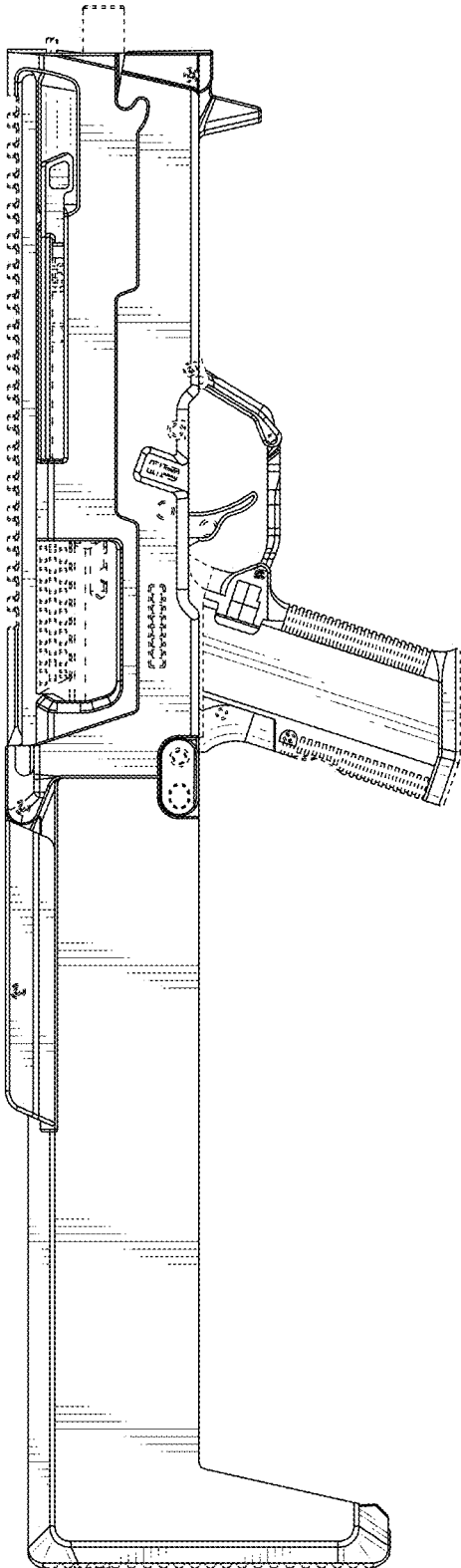


FIG. 5

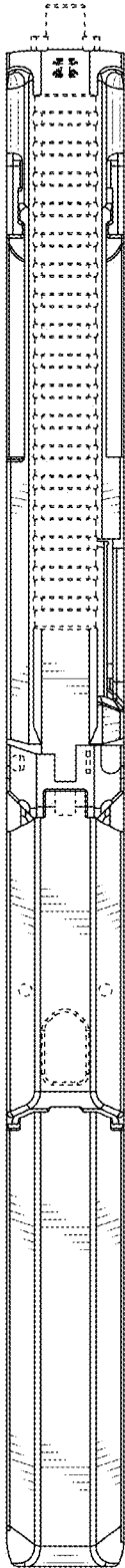


FIG. 6

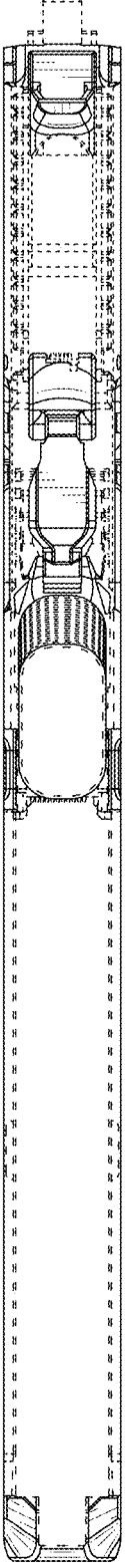


FIG. 7

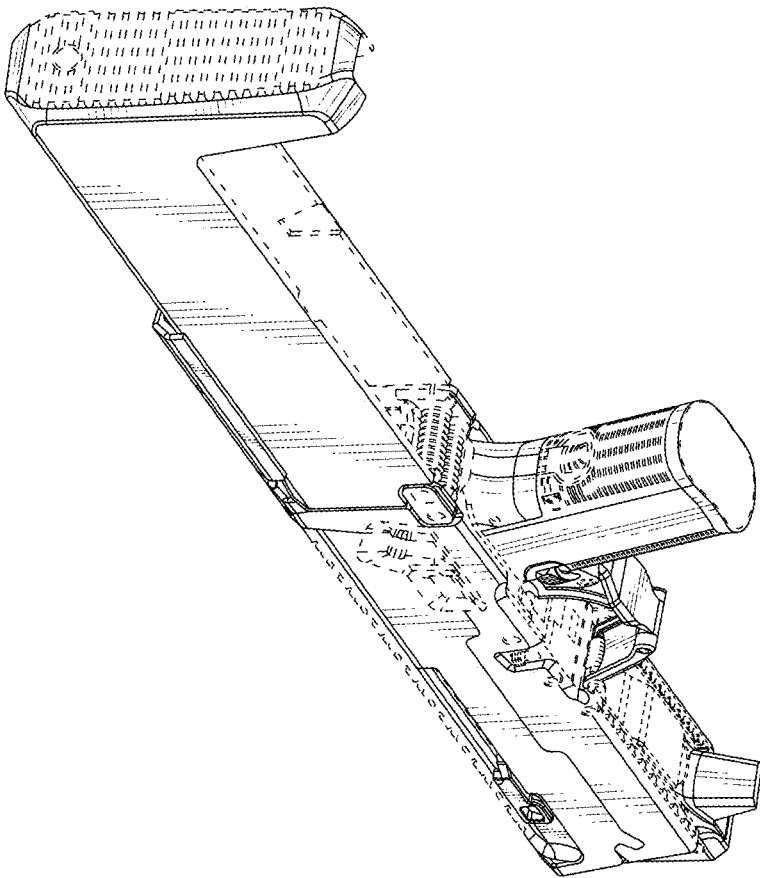


FIG. 8

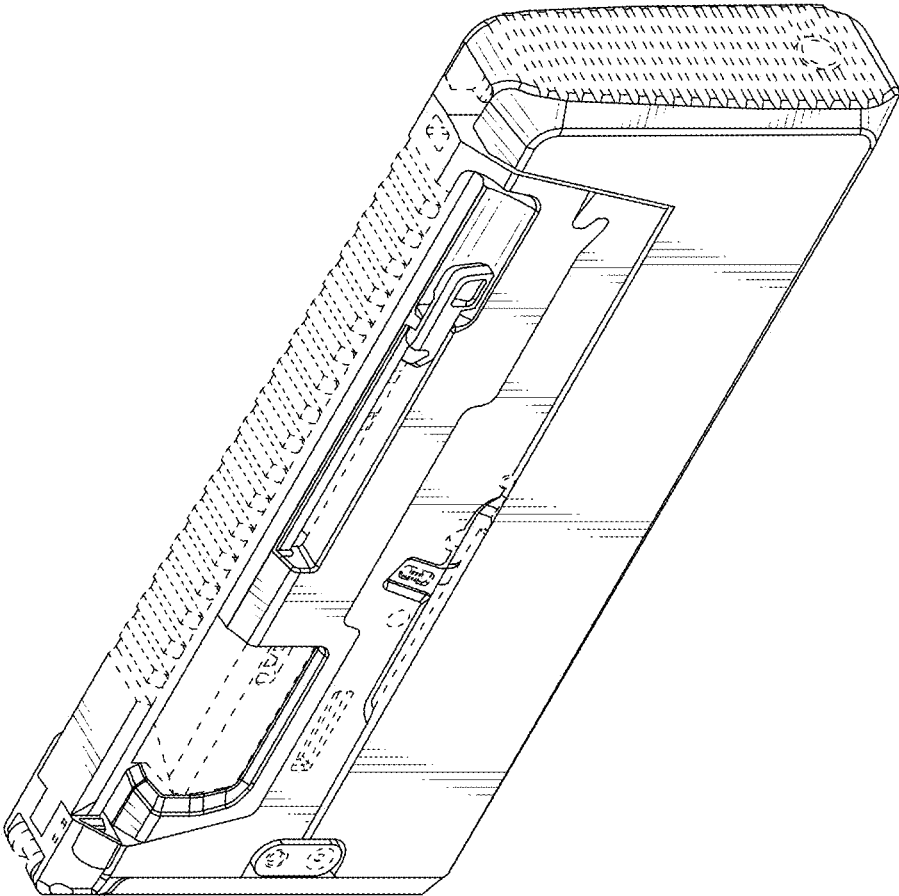


FIG. 9