



US00D742509S

(12) **United States Design Patent**
Anderson

(10) **Patent No.:** **US D742,509 S**

(45) **Date of Patent:** **** Nov. 3, 2015**

(54) **PROSTHESIS INSERTION COLLAR DRAPE**

(71) Applicant: **Robert G. Anderson**, Aledo, TX (US)

(72) Inventor: **Robert G. Anderson**, Aledo, TX (US)

(**) Term: **14 Years**

(21) Appl. No.: **29/511,866**

(22) Filed: **Dec. 15, 2014**

(51) **LOC (10) Cl.** **24-02**

(52) **U.S. Cl.**

USPC **D24/129**

(58) **Field of Classification Search**

USPC D24/127-131, 112-114, 133, 186;
606/181, 185, 108; 604/264, 523-528,
604/272, 187, 158, 164.01-164.11, 181,
604/184, 227; 600/101, 139, 143;
128/200.24, 207.14, 207.15, 200.26

CPC A61F 2/203; A61F 2/958; A61M 25/065;
A61M 5/42; A61M 25/0612; A61M 25/00;
A61M 39/00; A61M 27/00; A61M 25/0043;
A61M 25/0067; A61M 25/0097

See application file for complete search history.

(56) **References Cited**

U.S. PATENT DOCUMENTS

4,641,648	A	2/1987	Shapiro	
4,955,906	A	9/1990	Coggins et al.	
5,064,433	A *	11/1991	Blom	A61F 2/203 128/207.16
5,207,221	A *	5/1993	Stulbach	A61M 16/0488 128/200.26
5,375,592	A *	12/1994	Kirk	A61M 16/0488 116/206
5,571,178	A	11/1996	Ledergerber	
5,623,924	A *	4/1997	Lindenman	A61M 16/0488 128/200.26
5,723,006	A	3/1998	Ledergerber	
5,782,913	A	7/1998	Schindler et al.	
6,004,329	A *	12/1999	Myers	A61F 2/2427 294/24
7,025,784	B1 *	4/2006	Blom	A61F 2/20 623/14.11

7,267,692	B2 *	9/2007	Fortin	A61F 2/442 623/17.16
7,520,897	B2 *	4/2009	Seder	A61F 2/203 424/404
D638,541	S *	5/2011	Claypool	D24/133
8,070,816	B2 *	12/2011	Taylor	A61F 2/44 623/17.11
8,206,443	B2	6/2012	Preissman	
8,211,173	B2	7/2012	Keller et al.	
8,231,521	B2 *	7/2012	Morningstar	A61F 2/26 600/40
8,236,007	B2 *	8/2012	Persson	A61F 2/203 606/108
8,313,760	B2	11/2012	Hunter	
8,465,546	B2 *	6/2013	Jodaitis	A61F 2/442 623/17.16

(Continued)

FOREIGN PATENT DOCUMENTS

WO WO/2013/122568 A1 8/2013

OTHER PUBLICATIONS

Richard A. Mladick, M.D., F.A.C.S. "No-Touch" Submuscular Saline Breast Augmentation Technique, Aesthetic Plastic Surgery, 17:183-192, 1993, New York, NY.

(Continued)

Primary Examiner — David Muller

(74) *Attorney, Agent, or Firm* — Klemchuk LLP; Kirby B. Drake

(57) **CLAIM**

The ornamental design for a prosthesis insertion collar drape, as shown.

DESCRIPTION

FIG. 1: Front perspective view of an ornamental design for a prosthesis insertion collar and drape;

FIG. 2: Right side view thereof;

FIG. 3: Left side view thereof;

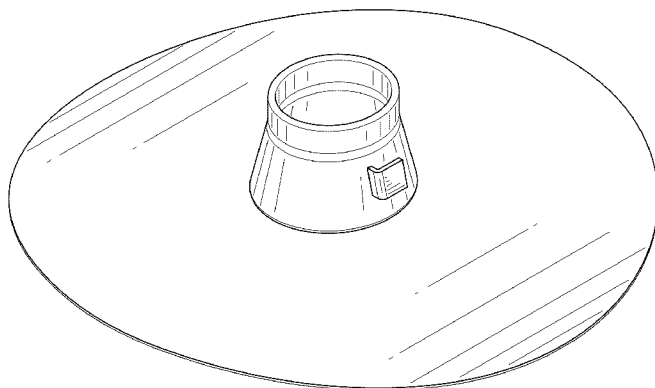
FIG. 4: Back view thereof;

FIG. 5: Front view thereof.

FIG. 6: Top view thereof; and,

FIG. 7: Bottom view thereof.

1 Claim, 4 Drawing Sheets



(56)

References Cited

U.S. PATENT DOCUMENTS

8,550,090	B2	10/2013	Keller et al.
8,555,893	B2	10/2013	Keller et al.
8,641,758	B1	2/2014	Anderson
2007/0276484	A1	11/2007	Abell et al.
2009/0204107	A1	8/2009	Keller et al.
2010/0280610	A1	11/2010	Preissman
2011/0035003	A1	2/2011	Preissman
2011/0218624	A1	9/2011	Preissman
2012/0185042	A1	7/2012	Preissman
2012/0259414	A1	10/2012	Preissman
2013/0073040	A1	3/2013	Preissman
2014/0074235	A1	3/2014	Keller et al.
2014/0074236	A1	3/2014	Keller et al.
2014/0148901	A1	5/2014	Anderson

OTHER PUBLICATIONS

Richard A. Mladick, M.D., F.A.C.S. Significance of *Staphylococcus epidermidis* Causing Subclinical Infection, Plastic & Reconstructive Surgery: Apr. 15, 2005—vol. 115—Issue 5—pp. 1426-1427, Virginia Beach, VA.

“Richard A. Mladick, M.D., F.A.C.S. Prevention of Capsular Contracture, Plastic & Reconstructive Surgery: May 1999—vol. 103—Issue 6—pp. 1773-1774, Virginia Beach, VA”.

Thomas M. Biggs, M.D. Prefilled Saline Breast Implants Offer Significant Advantages, Aesthetic Surgery Journal Sep. 1999 vol. 19 No. 5 424, St Louis, MO.

“Mitchel H. Brown, M.D., M.Ed. Cohesive Silicone Gel Breast Implants in Aesthetic and Reconstructive Breast Surgery, Plastic & Reconstructive Surgery: Sep. 1, 2005—vol. 116—Issue 3—pp. 768-779”.

* cited by examiner

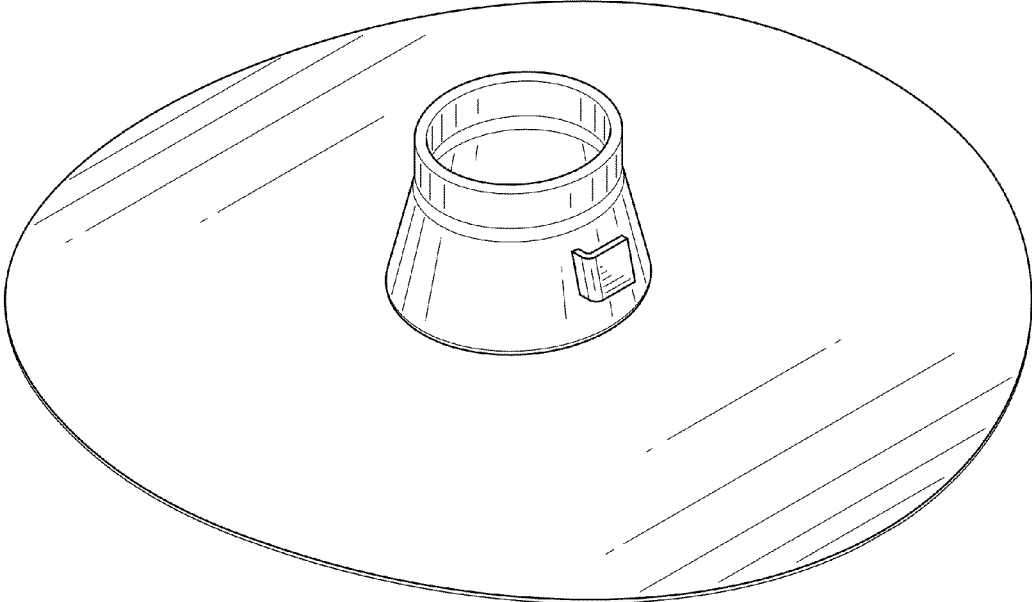


FIG. 1

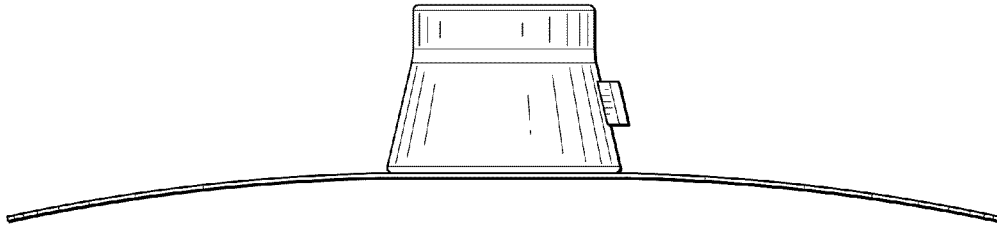


FIG. 2

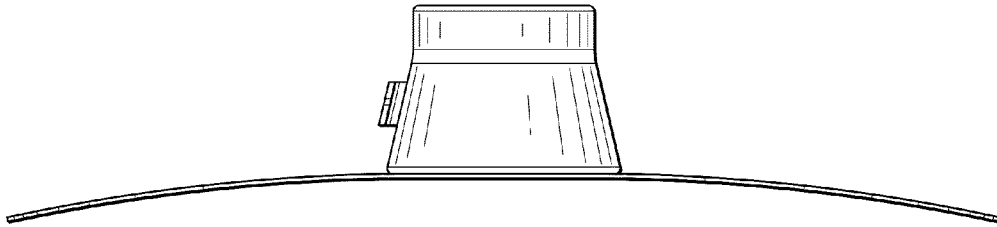


FIG. 3

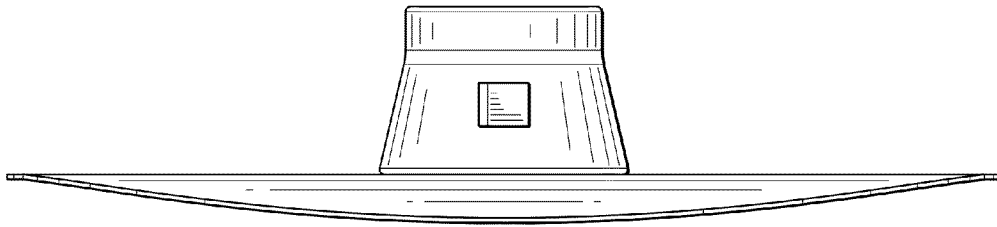


FIG. 4

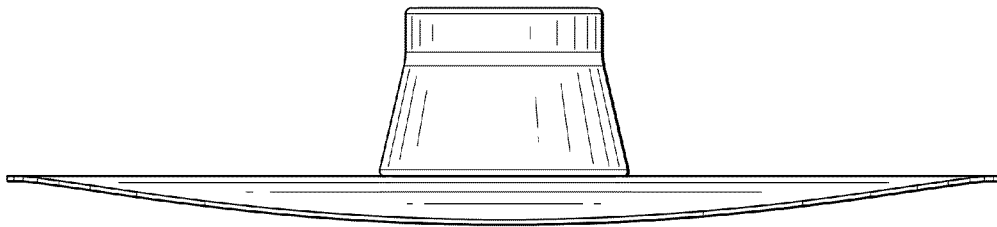


FIG. 5

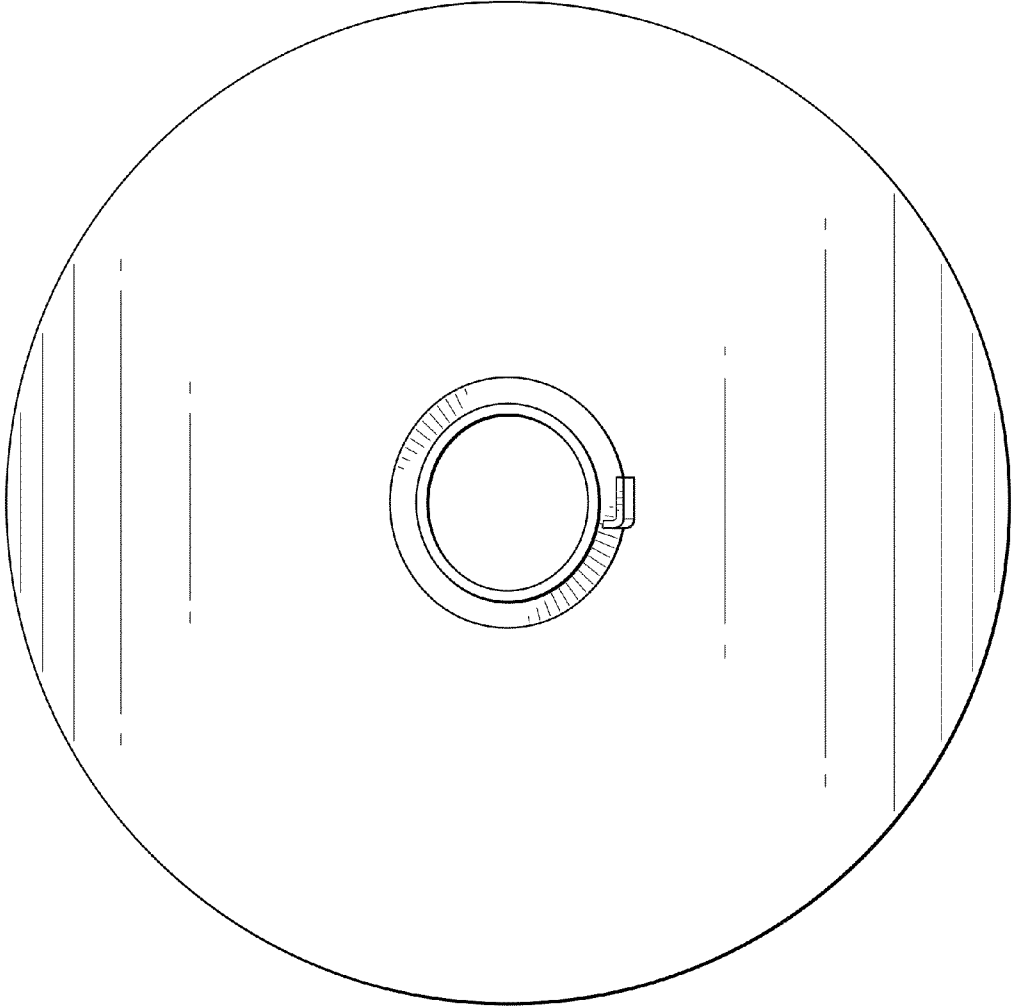


FIG. 6

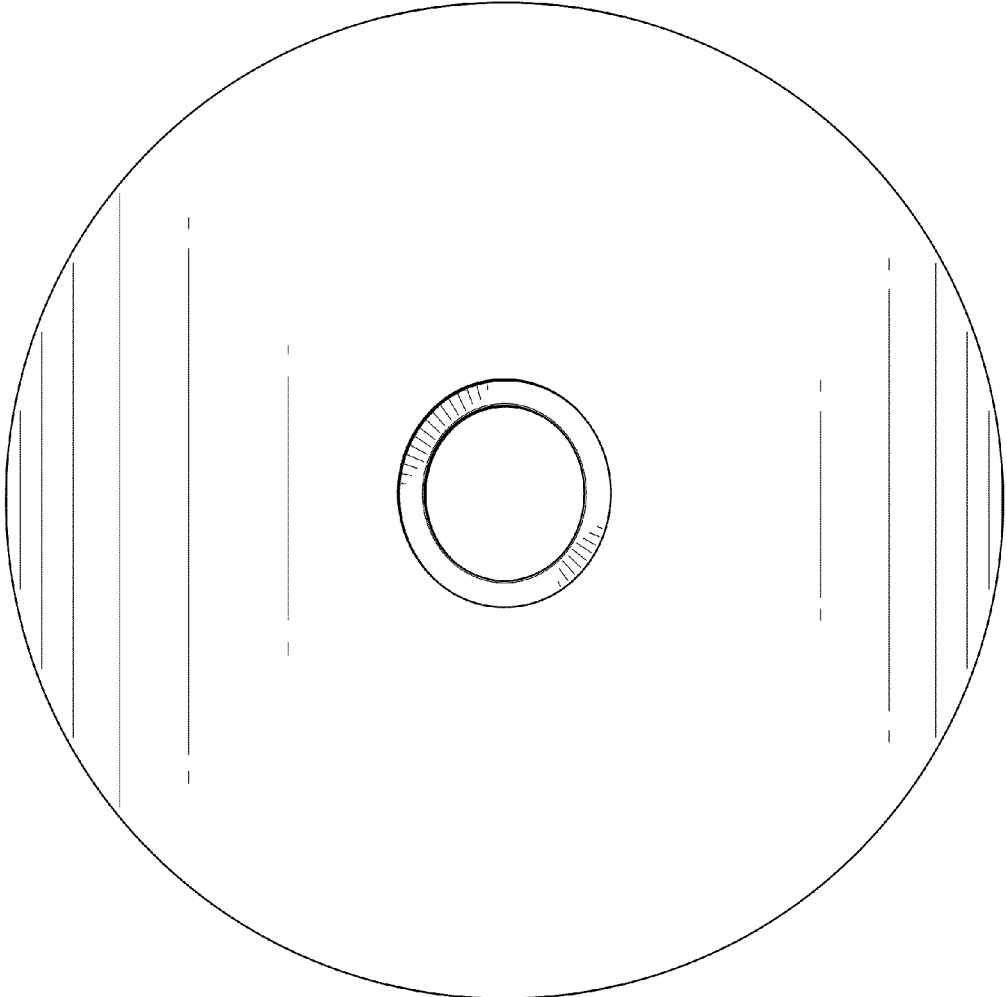


FIG. 7