



US00D789932S

(12) **United States Design Patent**
Chu et al.

(10) **Patent No.:** **US D789,932 S**

(45) **Date of Patent:** **** Jun. 20, 2017**

(54) **MODULAR COMPUTER USER INTERFACE**

(71) Applicant: **GRANT & UNION INC.**, Kitchener (CA)

(72) Inventors: **Calvin Chu**, Kitchener (CA); **Fred Ting**, Kitchener (CA)

(73) Assignee: **GRANT & UNION INC.**, Kitchener, ON (CA)

(**) Term: **14 Years**

(21) Appl. No.: **29/522,718**

(22) Filed: **Apr. 1, 2015**

(51) **LOC (10) Cl.** **14-02**

(52) **U.S. Cl.**
USPC **D14/388**

(58) **Field of Classification Search**
USPC ... D14/388, 389, 390, 356, 357, 217, 238.1, D14/299, 240, 454, 496; D13/107, 108, D13/162, 170, 171, 173, 174, 184, 123, D13/199; D10/104.1; D18/11; D17/1, D17/10, 99; 345/156, 184
CPC . G06F 3/01; G06F 3/02; G06F 3/0362; G06F 3/0338; G06F 3/016; G06F 1/1626; H01H 9/0235; H01H 13/70; H01R 13/24; H01R 13/51; H04M 1/0254; H04M 1/0256
See application file for complete search history.

(56) **References Cited**

U.S. PATENT DOCUMENTS

3,209,097	A	*	9/1965	Shlesinger, Jr.	...	H01H 36/0073	200/404
D255,030	S	*	5/1980	Holce	D13/158	
D288,555	S	*	3/1987	Gemmell	D13/171	
D299,141	S	*	12/1988	Louis	D14/388	
D323,506	S	*	1/1992	Breslau	D14/217	
5,865,546	A	*	2/1999	Ganthier	G06F 3/0202	341/22
D436,878	S	*	1/2001	Vassell	D10/104.1	

(Continued)

OTHER PUBLICATIONS

Palette—A Freeform Interface That Controls Any Software—2. (Happy Thanksgiving and Campaign Page Updates) kickstarter.com [online] 5 pgs. Posted Nov. 28 2013 [retrieved on Aug. 24, 2016] [https://www.kickstarter.com/projects/cchu/palette-a-freeform-interface-that-controls-any-sof/posts/678241.*](https://www.kickstarter.com/projects/cchu/palette-a-freeform-interface-that-controls-any-sof/posts/678241)

(Continued)

Primary Examiner — Susan Bennett Hattan

Assistant Examiner — Marie Fast Horse

(74) *Attorney, Agent, or Firm* — Tai W. Nahm; Miller Thomson LLP

(57) **CLAIM**

The ornamental design for a modular computer user interface, as shown.

DESCRIPTION

FIG. 1 illustrates a perspective view of a modular computer user interface.

FIG. 2 is a top view of the modular computer user interface.

FIG. 3 is a bottom view of the modular computer user interface.

FIG. 4 is a front view of the modular computer user interface.

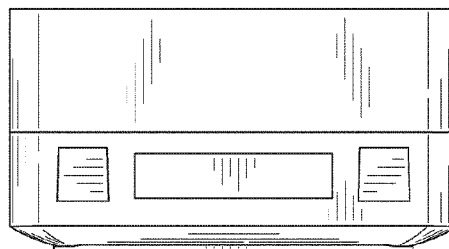
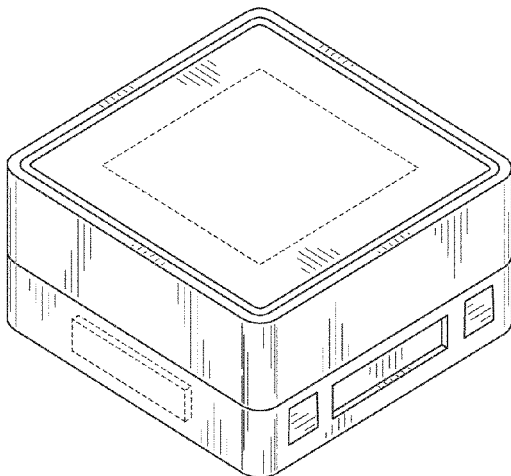
FIG. 5 is a rear view of the modular computer user interface.

FIG. 6 is a left view of the modular computer user interface; and,

FIG. 7 is a right view of the modular computer user interface.

The broken lines immediately adjacent to the shaded top and bottom surfaces define the bounds of the claim which extend to the boundaries but do not include the boundaries; the remaining broken lines on the front surface depict environmental subject matter only and form no part of the claim; all broken lines form no part of the claim.

1 Claim, 5 Drawing Sheets



(56)

References Cited

U.S. PATENT DOCUMENTS

6,703,962 B1 * 3/2004 Marics A24F 19/105
340/12.55
6,795,318 B2 * 9/2004 Haas H04M 1/0254
361/728
7,371,177 B2 * 5/2008 Ellis A63F 13/31
345/473
D578,513 S * 10/2008 Mazur D14/168
D585,036 S * 1/2009 Riggs D14/126
7,556,563 B2 * 7/2009 Ellis A63F 13/10
463/1
D630,616 S * 1/2011 Vex D14/217
D641,733 S * 7/2011 Jenkins D14/217
8,018,726 B2 * 9/2011 Friedlander H01H 9/0235
345/156
D669,059 S * 10/2012 Huang D14/240
D686,595 S * 7/2013 Andre D14/217
D689,486 S * 9/2013 O'Donnell D14/217
D695,214 S * 12/2013 Roberts D13/107
D706,865 S * 6/2014 Kumagai D18/11
D709,124 S * 7/2014 Ridinger D17/99
D714,214 S * 9/2014 Wikel D13/107
D718,752 S * 12/2014 Wang D14/240
D742,856 S * 11/2015 Skjoldborg D14/217
D747,356 S * 1/2016 Jou D14/203.1
D756,976 S * 5/2016 Jou D14/242
2006/0134978 A1 * 6/2006 Rosen A63H 33/042
439/581
2006/0154711 A1 * 7/2006 Ellis A63F 13/31
463/1
2006/0172787 A1 * 8/2006 Ellis A63F 13/10
463/1
2013/0065407 A1 * 3/2013 Schichl H01R 13/5841
439/39
2013/0273752 A1 * 10/2013 Rudisill H01R 13/6205
439/39

2015/0031220 A1 * 1/2015 Fang H01R 13/6205
439/38
2015/0104959 A1 * 4/2015 Guo H01R 13/506
439/39
2016/0139660 A1 * 5/2016 Chu G06F 3/01
345/156

OTHER PUBLICATIONS

Palette—A Freeform Interface That Controls Any Software—3.
(Our first hands-on with Palette!) kickstarter.com [online] 4 pgs.
Posted Dec. 6 2013 [retrieved on Aug. 24, 2016] <https://www.kickstarter.com/projects/cchu/palette-a-freeform-interface-that-controls-any-sof/posts/686425>.
Palette—A Freeform Interface That Controls Any Software—4.
(Palette is Funded! Time for a stretch goal :D) kickstarter.com
[online] 4 pgs. Posted Dec. 10, 2013 [retrieved on Aug. 25, 2016]
<https://www.kickstarter.com/projects/cchu/palette-a-freeform-interface-that-controls-any-sof/posts/690696>.
Palette: A modular, roll-your-own take on the software controller
(James Holloway). newatlas.com. [online] 16 pgs. Posted Nov.
25, 2013 [retrieved on Aug. 24, 2016] <http://newatlas.com/palette-modular-software-controller/29908/> image galery: <http://newatlas.com/palette-modular-software-controller/29908/pictures/>.
Beyond QWERTY—how Palettes knobs and dials change the way
you work-play. theverge.com [online] 19 pgs. Posted Feb. 10, 2014
[retrieved on Aug. 25, 2016] <http://www.theverge.com/2014/2/10/5397296/palette-controller>.
Palette System Like MIDI Controller Lego Blocks. synthtopia.com
[online] 15 pgs. Posted Nov. 22, 2013 [retrieved on Aug. 24, 2016]
<http://www.synthtopia.com/content/2013/11/22/palette-system-like-midi-controller-lego-blocks/>.
Controller Breakthrough—The Mawzer Modular MIDI Controller.
softpedia.com. [online] 4 pgs. Posted Jun. 12, 2007 [retrieved on
Aug. 25, 2016] <http://news.softpedia.com/news/Controller-Breakthrough-The-Mawzer-Modular-MIDI-Controller-57039.shtml> IMG
URL: <http://i1-news.softpedia-static.com/images/news2/Controller-Breakthrough-The-Mawzer-Modular-MIDI-Co>.

* cited by examiner

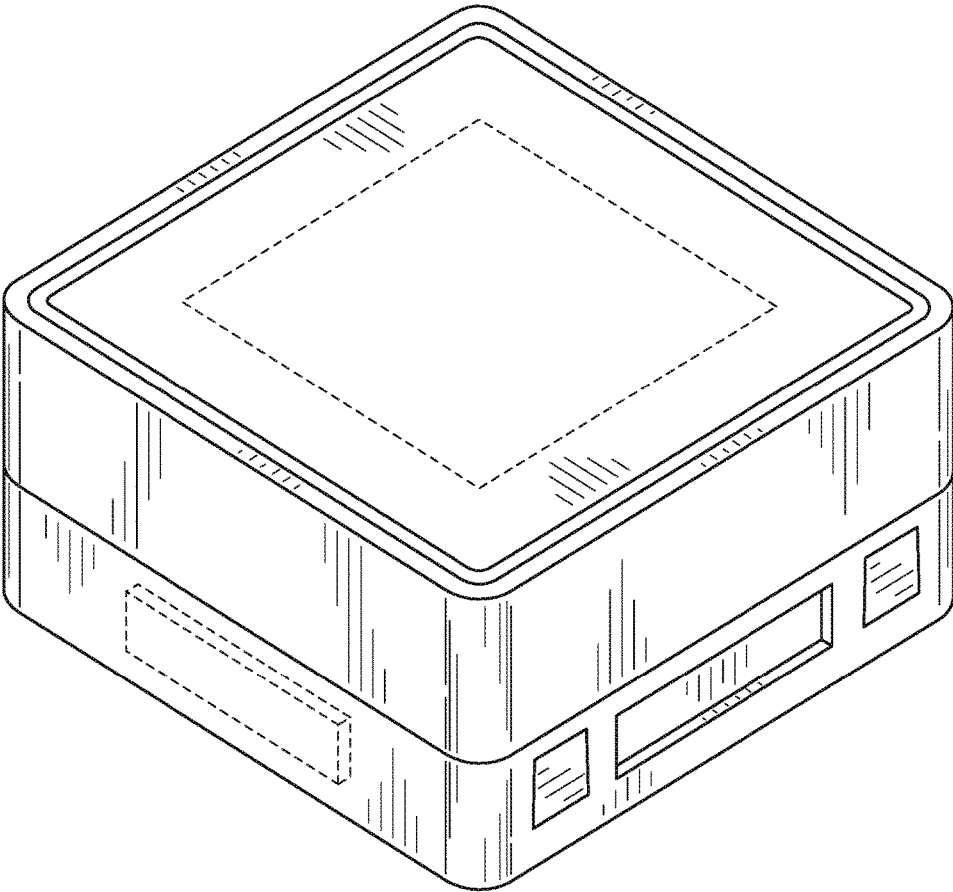


FIG. 1

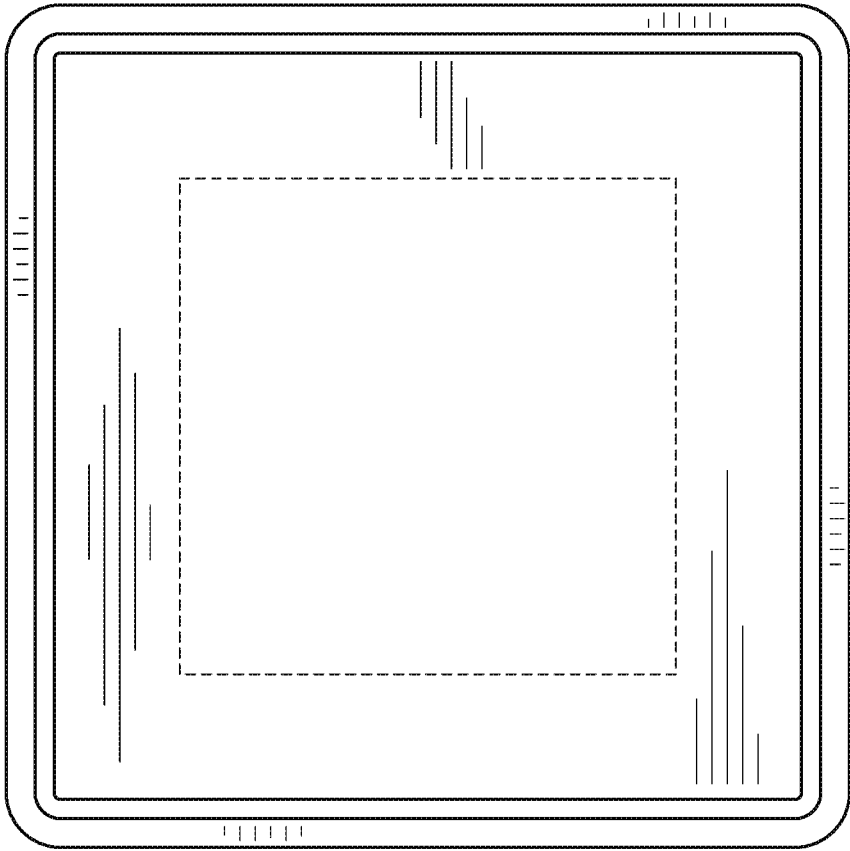


FIG. 2

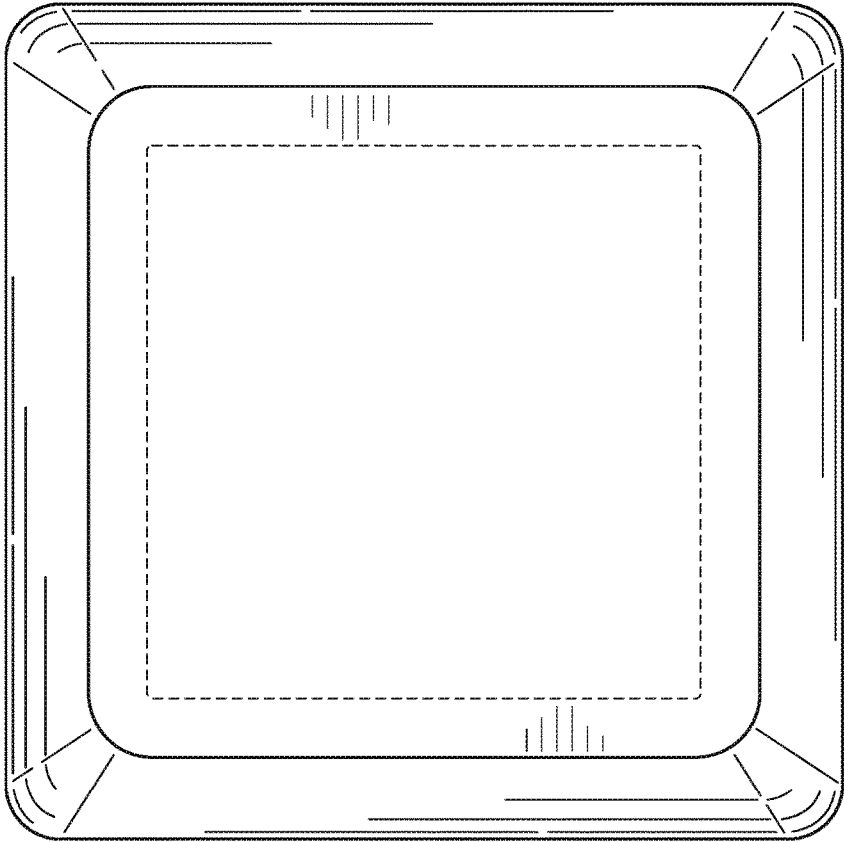


FIG. 3

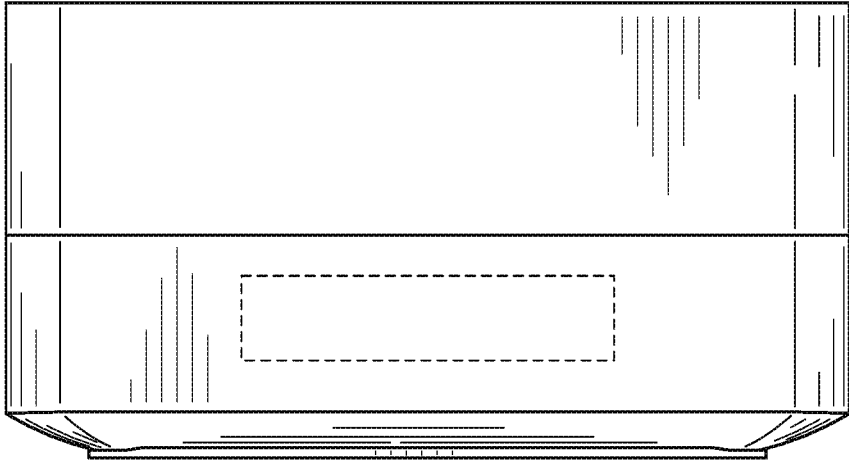


FIG. 4

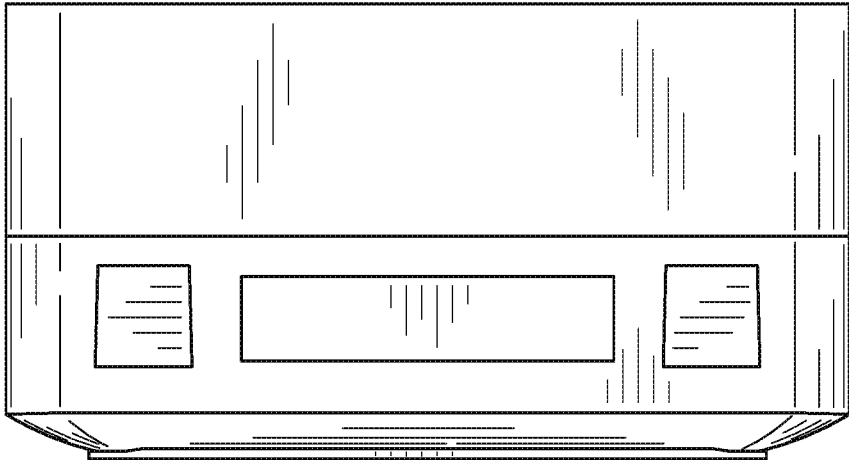


FIG. 5

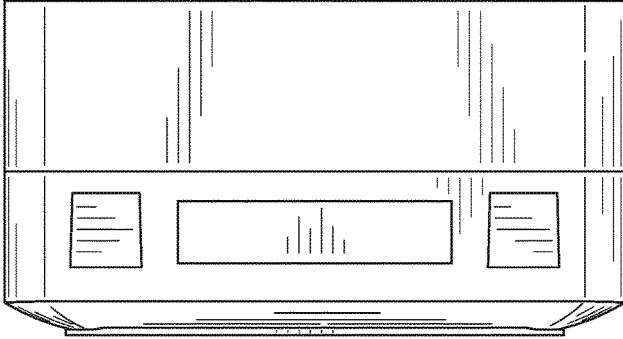


FIG. 6

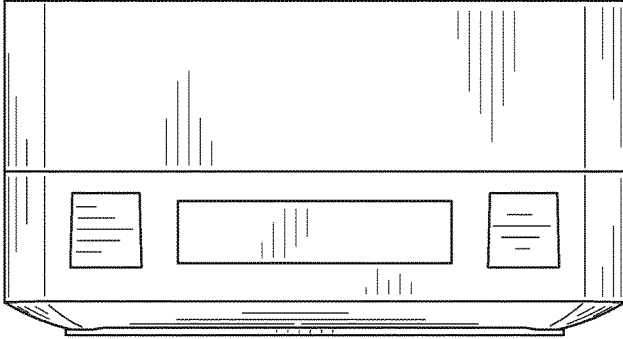


FIG. 7